

WDL-8001M

Color 8" TFT LCD Monitor

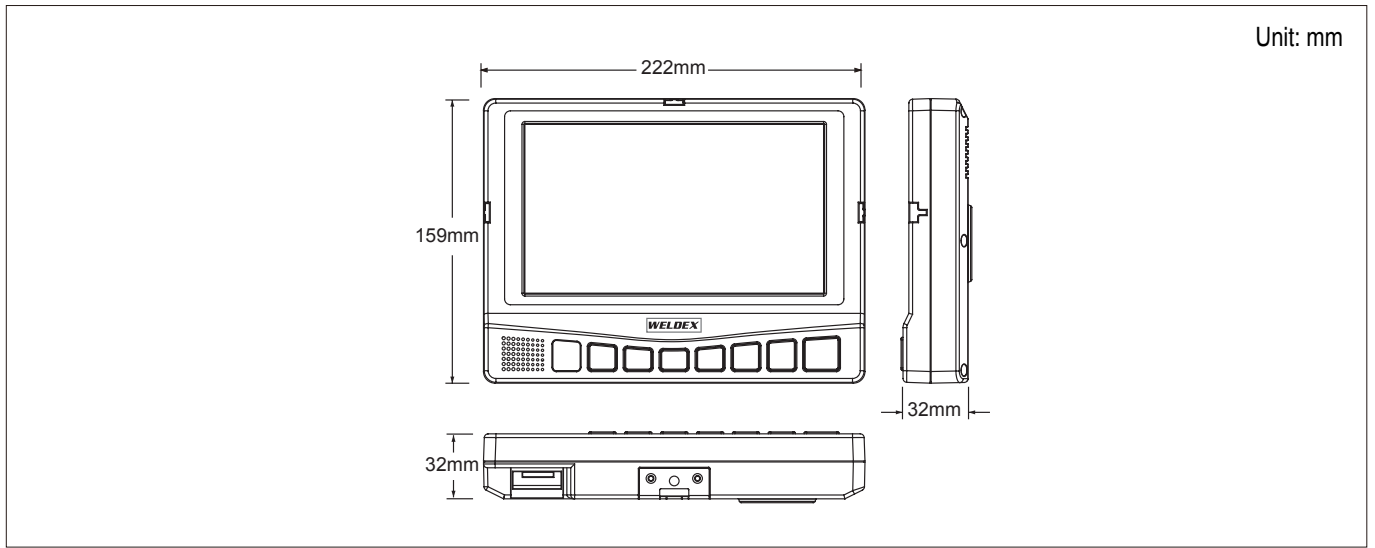
- Digital panel
- Weatherproof high resolution TFT LCD monitor (with remote control, mounting bracket and accessories)
- Composite
- Selectable mirror-image mode
- Active matrix for absolute picture clarity
- OSD for AV source (color, brightness, contrast, tint & volume control)
- NTSC / PAL
- Integrated audio speaker



Specification

Screen size	8.0" (diagonal)
Resolution	800 x 3 [RGB] (W) x 480 (H)
Contrast ratio	500:1
Brightness	Max 450cd/m ²
Dot pitch (mm)	0.0736 (W) x 0.270 (H)
Active area (mm)	176.64 (W) x 99.36 (H)
Viewing angle	Up: 50° / down: 70° / right: 70° / left: 70°
Dimensions (mm)	222 (W) x 159 (H) x 32 (D)
Color system	NTSC / PAL
Video input	1 x composite (RCA)
Audio input	1 x composite (RCA)
Power supply	DC12V, 5W
Operating temperature	-30°C ~ +85°C
Weight	1.75kg (gross weight)

Dimension



LCD	8"	450 (cd/m ²)	500:1	800 x 480	12V
-----	----	-----------------------------	-------	-----------------	-----