

## N-Series Superior Night Vision 3 Megapixel Fixed Dome Network Camera

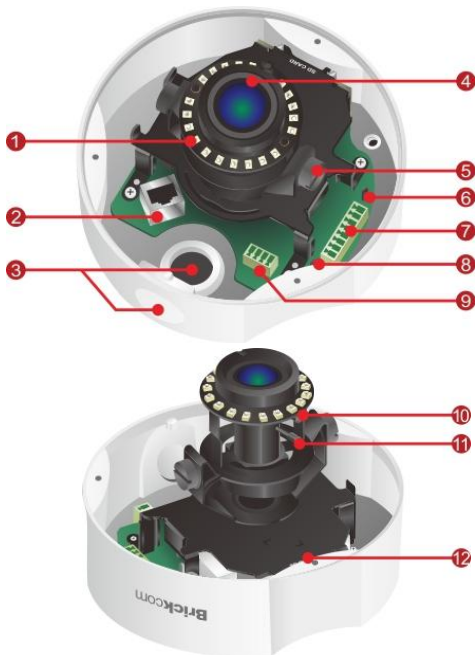
### FD-300N Series

HDTV 1080p/720p • 3M/2M/1.3M Resolution Supported



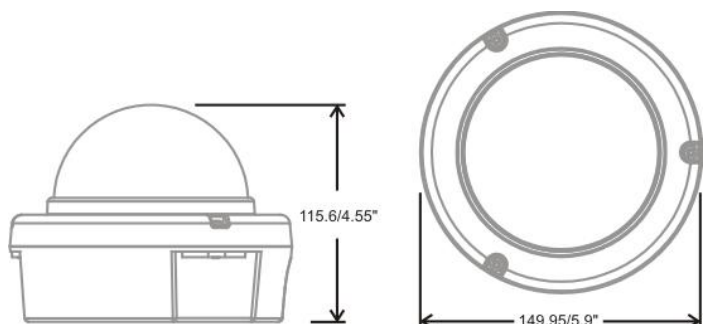
- N-Series Sony Exmor 3-Megapixel Fixed Dome Camera
- **SmartFocus®** to Ease the Zoom and Focus Adjustment Remotely  
*\*The feature is for FD-300Np*
- **FocusEasy™** to Ease the Focus Adjustment via the Buzzer for notification  
*\*The feature is for FD-302Np*
- HDTV Video Quality (Full HD 1080p @ 30fps)
- **Brickcom WDR Enhancement®** Technology
- H.264, MPEG-4, and MJPEG Triple-Codec Compression
- **Intelligent Multi-Profile Sensor Management®** for Different Environments
- Removable IR-Cut Filter & Auto Light Sensor for Day and Night
- 1 DI/DO for External Alarm and Sensor Devices
- 3-Axis Design
- Two-Way Audio
- Built-In SD/SDHC/SDXC Card Slot for up to 64GB Local Storage
- TV out Connector Supported
- Power over Ethernet/DC 12V/AC 24V Support

Photo Indication & Dimension Diagram



- ① LEDs
- ② RJ45 Connector  
(For Ethernet and High Power PoE)
- ③ Conduit Plug and Hole
- ④ Lens
- ⑤ Tilt Screw
- ⑥ Reset Button
- ⑦ Terminal Block  
(For Audio in/out, DIDO)
- ⑧ FocusEasy Button (\*)
- ⑨ Terminal Block (For DC 12V 1.5A)
- ⑩ Focus Control Bar (\*)
- ⑪ View Angel Control Bar (\*)
- ⑫ SD Card Slot

**\*These are optional features\***



\*FD-300Np Available date: 2014. Q1 (Jan)

FD-302Np Available date: 2014. Q1 (Jan)

## Camera

|                             |   |
|-----------------------------|---|
| <b>Models</b>               | <b>FD-300Np</b> 3M, Motorized Lens, SmartFocus®<br><b>FD-302Np</b> 3M, Vari-Focal Lens FocusEasy™   |
| <b>Hardware System</b>      | CPU: 533 MHz<br>Flash: 32M<br>RAM: 256M DDR   |
| <b>Image Sensor</b>         | Sensor Type : 1/2.8" Sony Exmor Sensor<br>Sensor Resolution : 2048x1536   |
| <b>Minimum Illumination</b> | <b>FD-300Np</b><br>0 lux (IR ON, B/W)<br>0.008 lux (IR OFF, B/W)<br>0.01 lux (F1.4, Color)<br><b>FD-302Np</b><br>0 lux (IR ON, B/W)<br>0.01 lux (IR OFF, B/W)<br>0.02 lux (F1.4, Color)   |
| <b>IR Illuminators</b>      | Built -in IR Illuminators, effective up to 25 meters<br>IR LED: 20pcs<br>IR wavelength: 850nm   |
| <b>Lens</b>                 | Lens Type: Board Lens<br>Iris: F1.4<br><b>FD-300Np</b> f=3mm(W)~10.5mm(T)<br>View Angle<br>(H): 98°~32°/ (V): 72°~24°/ (D):120°~40°<br><b>FD-302Np</b> f=3.3mm(W)~10.5mm(T)<br>View Angle<br>(H): 84°~31°/ (V): 62°~24°/ (D):110°~38° |
| <b>Day &amp; Night ICR</b>  | Triggered by Light sensor, Scheduling,<br>Digital Input   |
| <b>Local Storage</b>        | Built-in SD/SDHC/SDXC Memory Card Slot<br>Max. 64G  |

## Video

|                              |   |
|------------------------------|---|
| <b>Compression Streaming</b> | H.264 / MPEG4 / MJPEG<br>Simultaneous multiple streams  |
| <b>Video Setting</b>         | Multi-Profile Image Management:<br>Day/ Night/ Sunset/ User 1/ User 2<br>Auto Exposure Control<br>Manual Exposure Control: 1/10000~1/5s<br>Manual Gain Control: 1X ~ 32X<br>Manual White Balance Control: 2000K~7000K |
| <b>S/N Ratio</b>             | >50 dB  |
| <b>Image Resolution</b>      | <b>3M</b> : 2048x1536 @ 20fps<br><b>2M (Full HD)</b> : 1920x1080 @ 30fps<br><b>1M (HDTV)</b> : 1280x720 @ 30fps   |

## Events and Alarm Management

|               |   |
|---------------|---|
| <b>Events</b> | Motion Detection/ Schedule/ Audio Detection/<br>Digital Input/ Temperature Alarm/ Auto Focus<br>Shift for Day & Night(*)<br><i>*FD-300Np Only</i> |
| <b>Alarm</b>  | Stream/Snapshot to<br>FTP/Email/Samba/SD-Card/<br>HTTP/Email Notification/ Digital Output   |

## Audio

|   |   |
|---|---|
| <b>Audio Streaming</b>                    | 2-way Audio Support   |
| <b>Audio Compression</b>                  | G.711, AMR (8 kHz, Mono, PCM)   |
| <b>Audio Input/ Output</b>                | Line In/ Out  |
| <b>General</b>                            |   |
| <b>Communication</b>                      | Ethernet : one 10/100Mbps RJ-45<br>Supported Protocols : TCP/IP, UDP, ICMP,<br>DHCP, NTP, DNS, DDNS, SMTP, FTP, HTTP,<br>Samba, PPPoE, UPnP, RTP, RTSP, RTCP, IPv6  |
| <b>Power Input/ Operating Temperature</b> | DC12V 1A(1.5A)/ AC 24V/ 802.3af PoE<br>0°C ~ 50°C (32°F ~122°F)   |
| <b>Max. Power Consumption</b>             | DC12V 1.5A/AC 24V<br><b>FD-300Np</b> :12.5Watts<br><br>DC12V 1A/AC 24V<br><b>FD-302Np</b> :10.5 Watts<br><br>802.3af PoE<br><b>FD-300Np</b> :15 Watts<br><b>FD-302Np</b> :12.5 Watts                                      |
| <b>Environment</b>                        | Operating Humidity : 10% ~ 80%  |
| <b>Dimension</b>                          | 115.6(D) X 149.95 (H) mm  |
| <b>Weight</b>                             | 509g/1.13lb   |
| <b>Certification</b>                      | FCC, CE   |
| <b>Viewing System Requirements</b>        | OS: Microsoft Windows 8/7/Vista/XP/2000<br>Browser: Mozilla Firefox, Internet Explorer 7/8<br>or above, Safari, Google Chrome<br>Cell Phone: 3GPP player<br>Real Player: 10.5 or above<br>Quick Time: 6.6 or above<br>VLC |
| <b>Warranty</b>                           | Limited 2-year warranty   |

## Work Best With

### Camera Accessories Options



**L-WM-01**  
Camera Bracket



**POE16U \***  
PoE Injector

### Network Equipment Options



**PS-588I**  
8-port 10/100M PoE Fast Ethernet Switch



**PS-7242IL-AF**  
24-port 10/100M PoE Web Smart Ethernet Switch