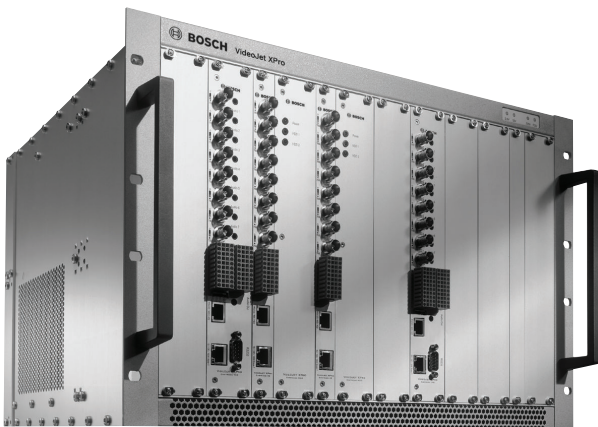


VideoJet XPro

www.boschsecurity.com



BOSCH
Invented for life



- ▶ IP alternative to analog matrix switch
- ▶ Supports up to 160 cameras in a 7U enclosure
- ▶ Up to 320 video streams
- ▶ DVD-quality with 30 fps at 4CIF
- ▶ 8-channel MPEG-2/4 video cartridges

The VideoJet XPro is ideal for large enterprise applications that require rapid field-maintainability. Using VIDOS, system administrators can configure and upgrade hundreds of cameras at once. With 160 cameras and 320 video streams on multiple gigabit Ethernet lines in a mere 7U form factor, the XPro offers the highest port density at this quality of video. Combined with a complete set of security and distributed system management features, it is a true enterprise-class IP video server solution.

Functions

Advanced

Bosch VideoJet XPro is the market's most advanced IP video server: its ultra-high density chassis architecture delivers 160 channels of full-motion, DVD-quality video over the network with a dual redundant power supply.

Powerful

Every VideoJet XPro enclosure supports 20 cartridges, each providing 8 channels of video – for a total of 160 independent channels. Each cartridge can be either bandwidth-efficient MPEG-4 or broadcast quality MPEG-2. Resolution can be anywhere from 1 fps at CIF to 160 at a speed of 30 fps at full 4CIF or D1. An ultra-high-density design allows the XPro's enclosure to fit into a 7U rack space, including the built-in cooling and power supply.

Flexible

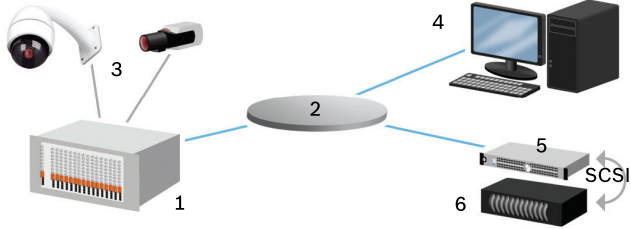
Video can be viewed on a PC using VIDOS, Bosch's comprehensive video management system software, with either a standard keyboard and mouse or the classic Intukey keyboard. For maximum accessibility, video can also be viewed in a simple Web browser. It can replace existing analog matrix switches simply and effectively, handling hundreds of cameras with ease. In addition to video cartridges, the VideoJet XPro can accept storage cartridges for local storage. Longer-term recording is available by sending the IP video to VIDOS-NVR, Bosch's IP network video recording software and hardware suite.

High-performance VIP XD video decoder devices make it possible to display IP video with ultimate clarity on analog CCTVs, or on large, flat-screen VGA monitors.

Certifications and Approvals

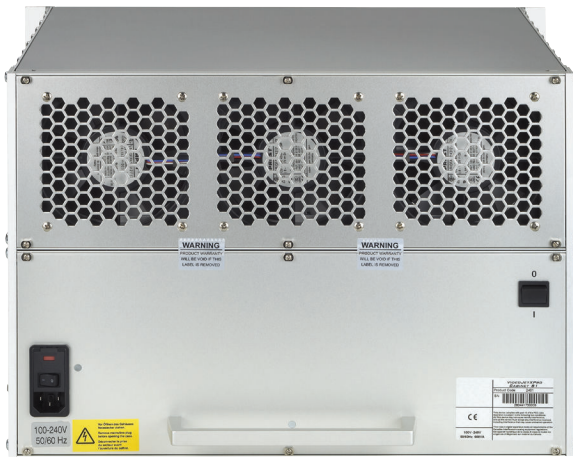
Safety	EN 60950 (CE); UL 1950; J 60950; AS/NZS 3548; EN 55103-1, -2
Immunity	EN 50130-4 (CE)
Emission	EN 50022 class B (CE); EN 55024; FCC 47 CFR Ch.1 Part 15; EN 61000-3-2 (CE); EN 61000-3-3 (CE)

Installation/Configuration Notes

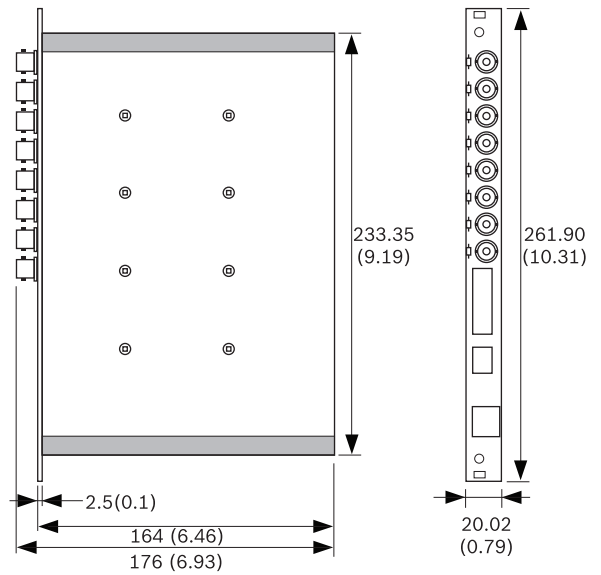


Functional diagram of

1 VideoJet XPro	4 Browser or VIDOS software
2 Network	5 NVR server with VIDOS
3 Video cameras (up to 160)	6 RAID 5 unit attached to NVR server

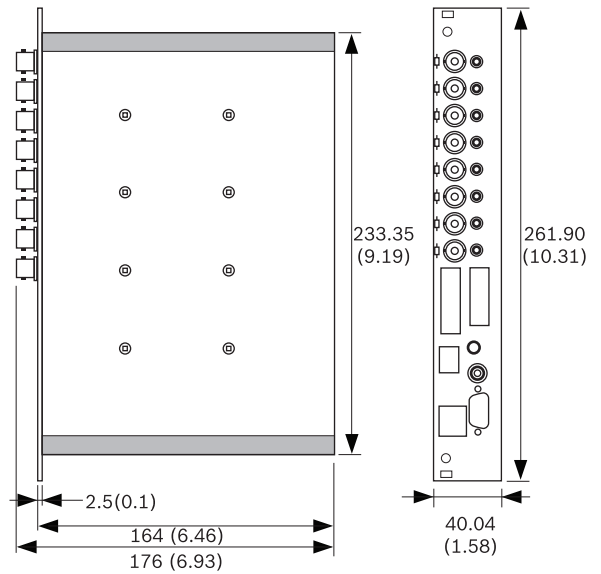


Rear view of XPROS1



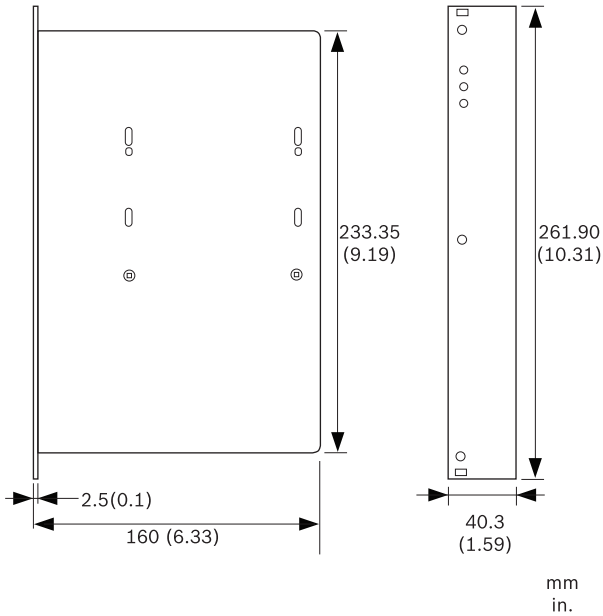
mm
in.

XPROV8 and XPROV8X8 dimensions in mm (in)

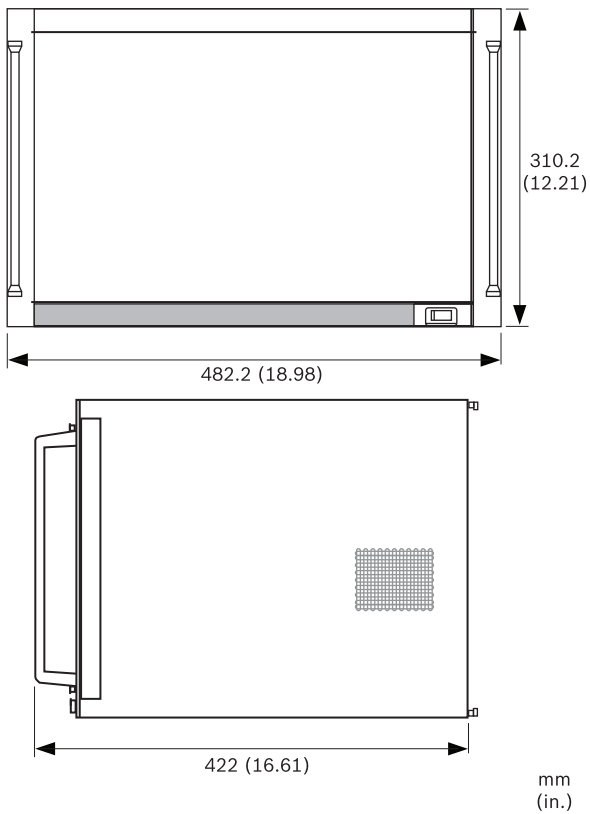


mm
in.

XPROVA8 and XPROVA8X8 dimensions in mm (in)



XPROHDD cartridge dimensions in mm (in)



XPROR2 and XPROS1 cabinet dimensions in mm (in)

Parts Included

Cabinet

Quantity	Component
1	XPROS1 or XPROR2

- 1 or 2 Power cord
- 1 Quick Installation Guide

Video cartridge

Quantity	Component
1	XPROV8 or XPROV8X8
1	CD-ROM with software and manual
1	Quick Installation Guide

Video/audio cartridge

Quantity	Component
1	XPROVA8 or XPROVA8X8
1	CD-ROM with software and manual
1	Quick Installation Guide

HDD cartridge

Quantity	Component
1	XPROHDD250 or XPROHDD500 or XPROHDD1000
2	Quick Installation Guide

Technical Specifications

Electrical

Power supply	From cabinet
Power consumption	
V8 models	35 VA (max)
VA8 (audio) models	40 VA (max)
Input/output	
Video inputs	8 x
connector	BNC, 75 ohm, switchable 0.7/1.2 Vpp
signal	Analog composite, NTSC or PAL
Alarm inputs	10 x
connector	Clamp, not isolated, closure contact
activation resistance	10 ohm (max)
Relays	5 x (audio models only)
connector	Clamp, 30 Vpp, 2 A
Serial (V8 models)	RS-232/422/485, RJ45
Serial (audio models)	RS-232/422/485, RJ45 and
	RS-232/422/485, 9-pin sub-D

Ethernet	10/100/1000 Base-T, auto sensing, half/full duplex, RJ45
Optional storage media (cartridge)	Cartridge HDD, 250 GB, 500 GB, or 1000 GB

Video

Standards	
V8, VA8	MPEG-2; JPEG
V8X8, VA8X8	MPEG-4; JPEG
Data rates	
V8, VA8	1 Mbps to 5 Mbps per channel
V8X8, VA8X8	9.6 kbps to 6 Mbps per channel
Resolution (V8, VA8)	Horizontal x vertical PAL/NTSC
Full D1	704 x 576/480 (50/60 fields/s*)
CIF	352 x 288/240 (25/30 fps*)
Resolution (V8X8, VA8X8)	Horizontal x vertical PAL/NTSC
4CIF/D1	704 x 576/480 (25/30 fps)
2CIF	704 x 288/240 (25/30 fps)
half D1	352 x 576/480 (25/30 fps)
CIF	352 x 288/240 (25/30 fps)
QCIF	176 x 144/120 (25/30 fps)
GOP structure	
V8, VA8	I, IP, IPB, IPBB
V8X8, VA8X8	I, IP
Overall IP delay	
V8, VA8	198/180 ms (PAL/NTSC)
V8X8, VA8X8	100 ms
Select. frame rate	
V8, VA8	1 to 50/60 (PAL/NTSC)
V8X8, VA8X8	Up to 25/30 (PAL/NTSC)
Select. frame rate type	
V8, VA8	Field/frame based coding
V8X8, VA8X8	Scalable video skip ratio

* Depending on frame content

Audio*

Standards	
VA8	MPEG-1, MPEG-2: layer I/II; 300 Hz to 10 kHz,
VA8X8	G.711

Data rate	
VA8	256 kbps
VA8X8	80 kbps per channel
Sample rate	
VA8	48 kHz
VA8X8	8 kHz

* Only for "A" models: XPROVA8 and XPROVA8X8

Mechanical

Dimensions (HxWxD)	See drawings
Weight	Approx. 0.7 kg (1.5 lb) for audio models add 0.3 kg (0.7 lb)
Color	Silver

Environmental

Operating temperature	0 °C to +50 °C (+32 °F to +122 °F)
Storage temperature	0 °C to +50 °C (+32 °F to +122 °F)
Relative humidity	20% to 80%, noncondensing

Cabinets

Power supply	Single or dual redundant integrated power supplies
Input voltage	90 to 250 VAC, 50/60 Hz
Power consumption	
XPROS1	600 VA (maximum with 15 cartridges)
XPROR2	1200 VA (maximum fully configured)
Weight	
XPROS1	Approx. 3.5 kg
XPROR2	Approx. 5.5 kg
Mounting	19-inch rack
Color	Silver with black trim

Ordering Information**XPROS1**

19-inch cabinet for up to 120 video channels, single power supply
Order number **XPROS1**

XPROR2

19-inch cabinet for up to 160 video channels, with second power supply used in redundant mode up to 120 video channels
Order number **XPROR2**

XPROV8

8-channel MPEG-2 cartridge
Order number **XProV8**

XPROVA8

8-channel MPEG-2 cartridge, with audio
Order number **XProVA8**

XPROV8X8

8-channel MPEG-4 cartridge
Order number **XPro V8-X4**

XPROVA8X8

8-channel MPEG-4 cartridge with audio
Order number **XPro V8-X8**

XPROHDD250

Hard disk cartridge with 250 GB HDD capacity
Order number **XPROHDD250**

XPROHDD500

Hard disk cartridge with 500 GB HDD capacity
Order number **XPROHDD500**

XPROHDD1000

Hard disk cartridge with 1000 GB HDD capacity
Order number **XPROHDD1000**

Represented by:

Americas:

Bosch Security Systems, Inc.
130 Perinton Parkway
Fairport, New York, 14450, USA
Phone: +1 800 289 0096
Fax: +1 585 223 9180
security.sales@us.bosch.com
www.boschsecurity.us

Europe, Middle East, Africa:

Bosch Security Systems B.V.
P.O. Box 80002
5617 BA Eindhoven, The Netherlands
Phone: + 31 40 2577 284
Fax: +31 40 2577 330
emea.securitysystems@bosch.com
www.boschsecurity.com

Asia-Pacific:

Robert Bosch (SEA) Pte Ltd, Security
Systems
11 Bishan Street 21
Singapore 573943
Phone: +65 6571 2808
Fax: +65 6571 2699
apr.securitysystems@bosch.com
www.boschsecurity.asia

China:

Bosch (Shanghai) Security Systems Ltd.
201 Building, No. 333 Fuquan Road
North IBP
Changning District, Shanghai
200335 China
Phone +86 21 22181111
Fax: +86 21 22182398
www.boschsecurity.com.cn

America Latina:

Robert Bosch Ltda Security Systems Division
Via Anhanguera, Km 98
CEP 13065-900
Campinas, Sao Paulo, Brazil
Phone: +55 19 2103 2860
Fax: +55 19 2103 2862
al.securitysystems@bosch.com
www.boschsecurity.com