

### VZ-CM06 ADVANTAGES

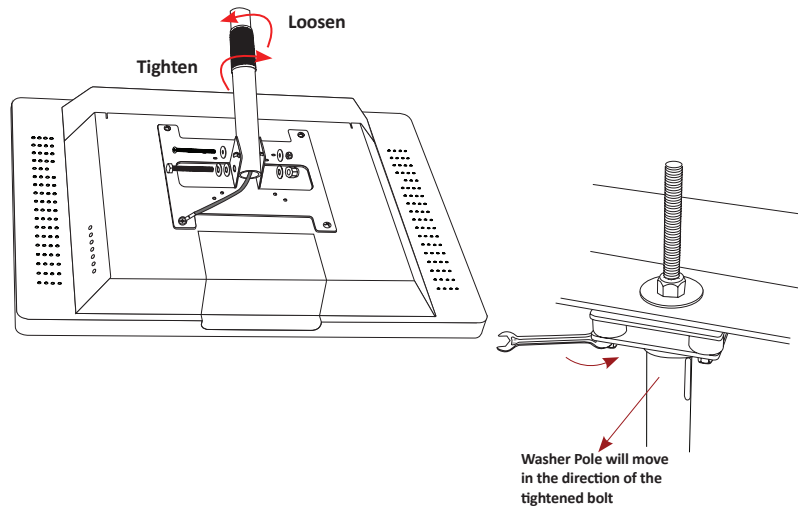
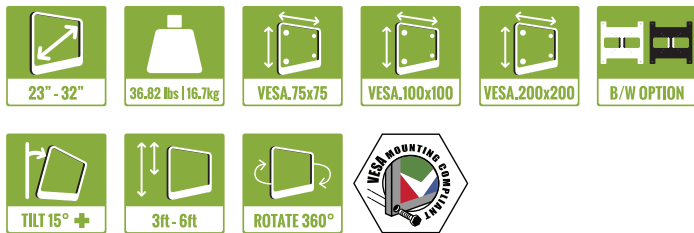
- The Telescopic Ceiling Mount (CM) Series allows quick and precise adjustment for installations ranging from 3' to 6'
- Additional features allow 15° tilt adjustment as well as a 360° pan rotation for achieving that perfect viewing angle
- Compatible with VESA 75 x 75mm, 100 x 100mm and 200 x 200mm mounting patterns
- Adjust from 3' to 6' for perfect placement and viewing
- Built-in cable management hides unsightly cable clutter and prevents cable pinching when used in low-voltage applications

### Designed specifically for

- VZ-PVM-Z2, Z3 & Z4** HD Public View Monitor 23", 27" & 32"
- VZ-PVM-I2, I3 & I4** iP Public View Monitor 23", 27" & 32"
- VZ-24, 27, 32RTHL** Premium LED HD Monitor 24", 27" & 32"

### FEATURES

**AVAILABLE IN 2 COLORS**  
VZ-CM06W : White Pole / White Mount  
VZ-CM06B : Black Pole / Black Mount

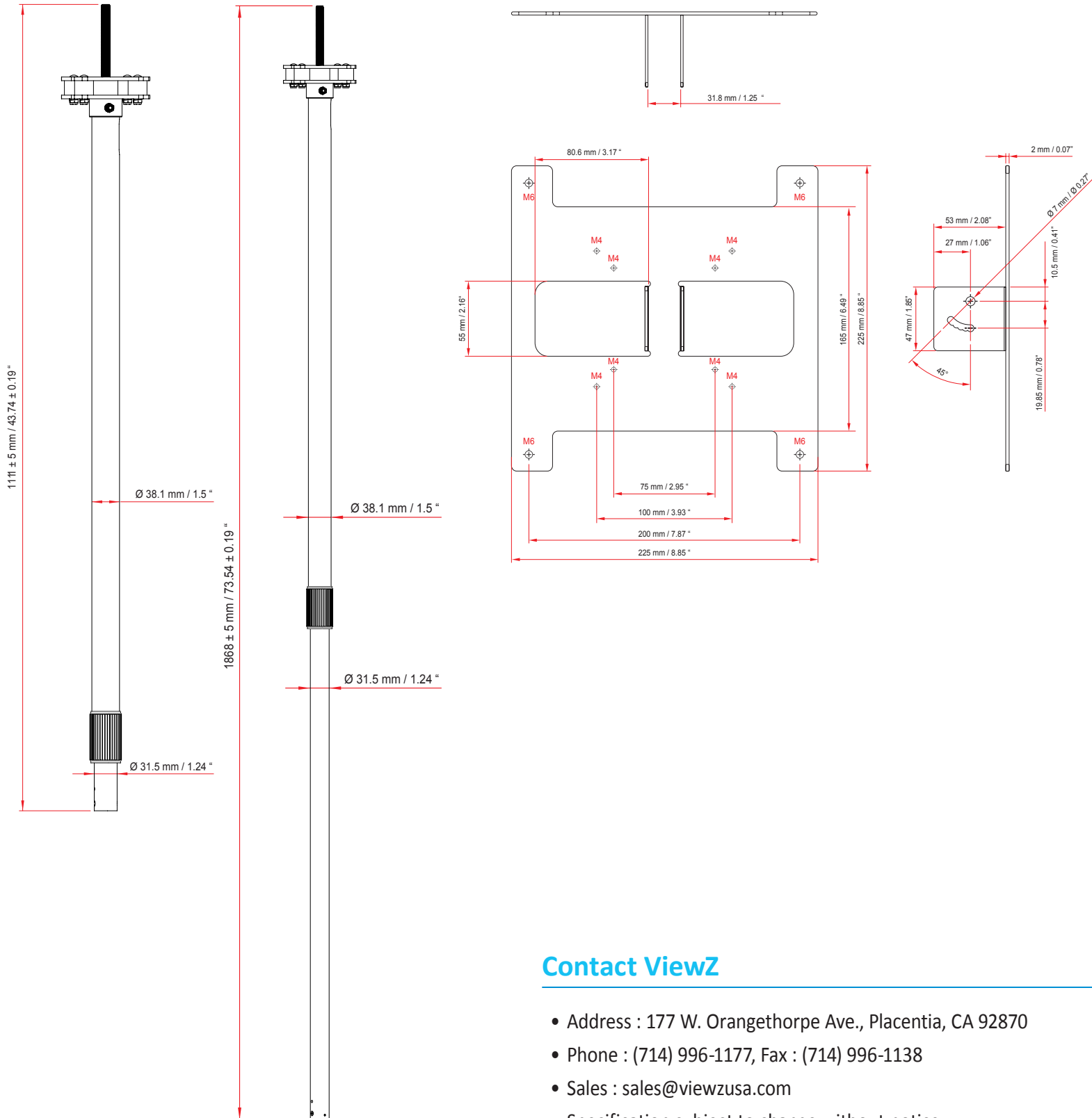


MODEL #	VZ-CM06
<b>FEATURES</b>	
Net Weight / Gross Weight	7.27 lbs (3.3kg) / 8.59 lbs (3.9kg)
Weight Capacity per Head	36.82 lbs / 16.7kg
Plate (Wide x Height x Depth) inch	8.85 x 8.85 x 0.07
(Wide x Height x Depth) mm	225 x 225 x 2
Pole (R x Length (MIN/MAX) ) inch	Ø 1.24 x 43.74 / Ø 1.24 x 73.54
(R x Length (MIN/MAX) ) mm	Ø 31.5 x 1111 / Ø 31.5 x 1868
Mounting Patterns Type	VESA
Mounting Patterns	75 x 75 (Min) - 200 x 200 (Max) mm
Display Range	23.0" ~ 32.0"
Installation Range	3ft ~ 6 ft / 0.91 ~ 1.82 m
PAN Rotation	360°
Tilt Capability	15° +

### Contact ViewZ

- Address : 177 W. Orangethorpe Ave., Placentia, CA 92870
- Phone : (714) 996-1177, Fax : (714) 996-1138
- Sales : sales@viewzusa.com
- Specification subject to change without notice.

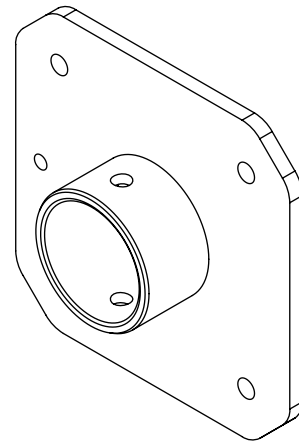
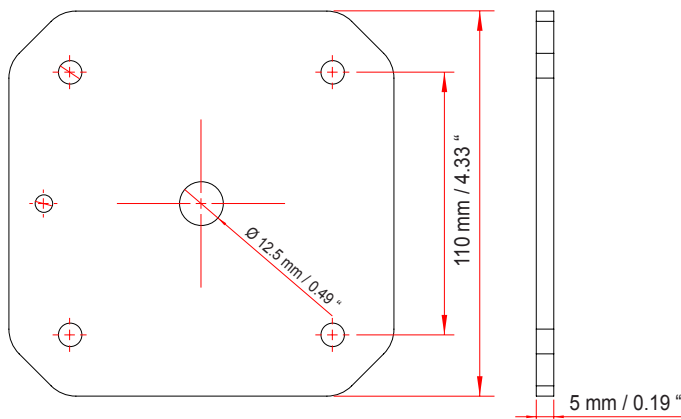
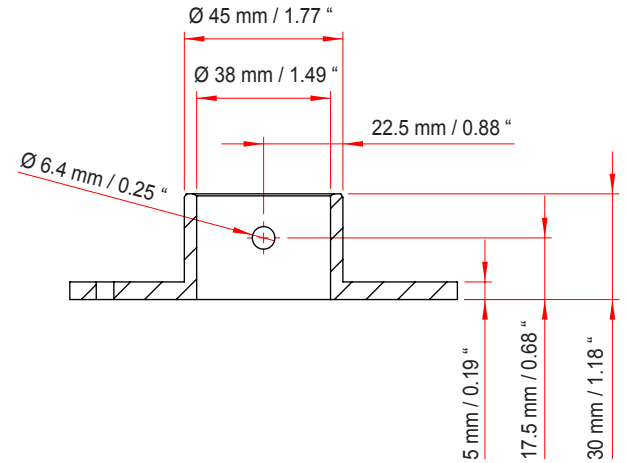
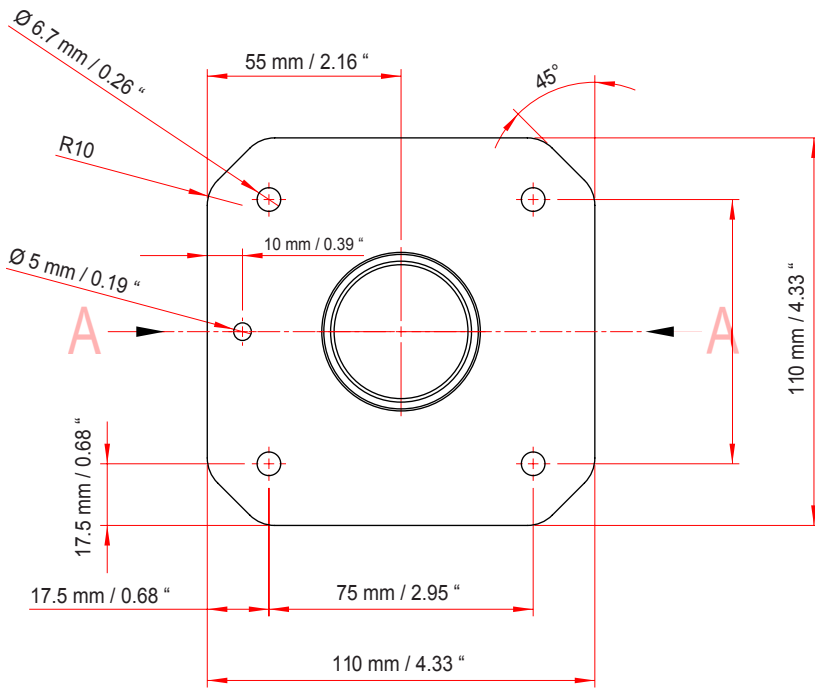
### DIMENSIONS



### Contact ViewZ

- Address : 177 W. Orangethorpe Ave., Placentia, CA 92870
- Phone : (714) 996-1177, Fax : (714) 996-1138
- Sales : sales@viewzusa.com
- Specification subject to change without notice.

### DIMENSIONS



### Contact ViewZ

- Address : 177 W. Orangethorpe Ave., Placentia, CA 92870
- Phone : (714) 996-1177, Fax : (714) 996-1138
- Sales : sales@viewzusa.com
- Specification subject to change without notice.