



MODEL #	VZ-15RTV
---------	----------

VIDEO	
Screen Size	15"
Max. Resolution	1024 x 768 @60Hz
Pixel Pitch	0.297 mm x 0.297 mm
Brightness	225 cd/m <sup>2</sup> (Typical)
Contrast Ratio	600:1
Aspect Ratio	4:3
Viewing Angle (H/V)	160°/160°
Display Color	16.7 Million
Response Time	< 8ms
Video System	NTSC / PAL
Frequency (H)	31 ~ 48 KHz
Frequency (V)	50 ~ 75 Hz

INTERFACE	
RGB In(15Pin D-Sub)	1
AV(Composite) In/ Out	2 / 2
S-Video In / Out	1 / 1
AV(Composite) Sound In (RCA Type)	1
PC Stereo In	1

AUDIO	
Built in speaker	2W X 2

SPECIAL FEATURES	
Filter Type	3D Comb filter / De-Interlace
Video Resolution(Max)	520 TV Line
Multi-lingual Language	English, Spanish, French, German, Italian, Portuguese, Dutch

DIMENSIONS & WEIGHT	
Outline Dimension (W x H x D)	13.82" x 13.94" x 2.20" 351.028 mm x 354.076 mm x 55.88 mm
Net / Gross Weight	8.15 lbs (3.7kg) / 12.56 lbs (5.7kg)

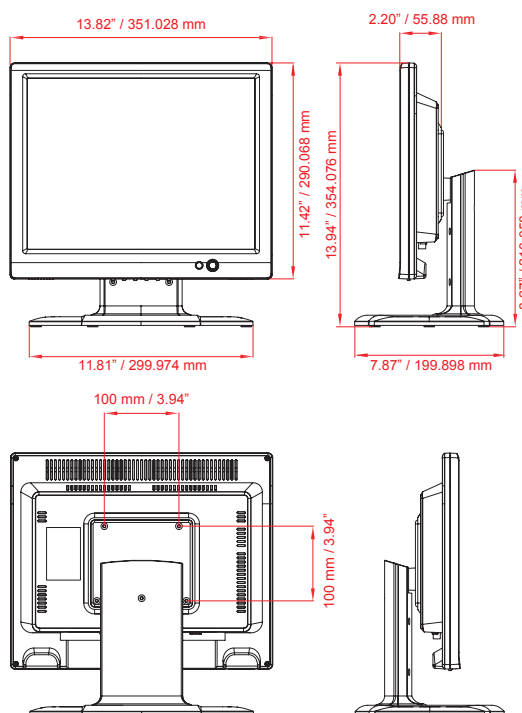
MOUNT	
VESA	100mm x 100mm, M4 x 10 Screws

GENERAL		
Transmitter - IR Remote Control	YES	
Power	Electrical Ratings	DC 12V, 3A (AC100 ~ 240V[50/60Hz])
	Consumption (Typ/Max)	36 W
Warranty	Parts/ Labor	3 Year / 3 Year
	MTBF (Approx.)	50,000 Hours
Operating Temperature	32 - 104°F / 0 - 40°C	
Regulations	UL, CB, FCC(B), CE-Emc(LVD)	
Compatible Mounts	Wall	VZ-WM05, VZ-WM11, VZ-AM01
	Ceiling	VZ-CMK01, VZ-CMK02
	Rack	VZ-RMK08

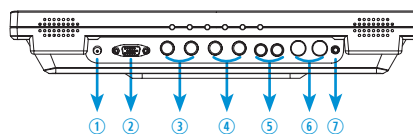
## VZ-15RTV ADVANTAGES

- 15" LCD CCTV Monitor
- BNC, VGA, S-Video
- 3D Comb-filter, De-interlace, Built-in Speakers
- 3-Year Warranty

## DIMENSIONS



## INTERFACE



1. DC 12V IN
2. VGA IN
3. AV(composite)1 IN/OUT
4. AV(composite)2 IN/OUT
5. AV(composite) SOUND IN(R+L)
6. S-VIDEO IN / OUT
7. PC STEREO IN

## Contact ViewZ

- Address : 177 W. Orangethorpe Ave., Placentia, CA 92870
- Phone : (714) 996-1177, Fax : (714) 996-1138
- Sales : sales@viewzusa.com
- Specification subject to change without notice.