



MODEL #	VZ-15RTC
---------	----------

VIDEO	
Screen Size	15"
Max. Resolution	1024 x 768 @60Hz
Pixel Pitch	0.297 mm x 0.297 mm
Brightness	225cd/m ² (Typical)
Contrast Ratio	600:1
Aspect Ratio	4 : 3
Viewing Angle (H/V)	160°/160°
Display Color	16.7 Million
Response Time	< 8ms
Video System	NTSC / PAL
Frequency (H)	31 ~ 48 KHz
Frequency (V)	56 ~ 75 Hz

INTERFACE	
AV(Composite) In/ Out	2 / 2 (2ch input 1.0Vp-p, 75Ω terminated, loop-through out)
S-Video In / Out	1 / 1 (1ch input (V/C) , loop-through out)
RGB In(15Pin D-Sub)	1
AV(Composite) Sound In (RCA Type)	1
PC Stereo In	1

AUDIO	
Built in speaker	2W X 2

SPECIAL FEATURES	
Multi Display Function	PIP / PBP / VOV
Filter Type	3D Comb-filter / De-Interlace
LCD Protection Glass	YES
Video Resolution(Max)	520 TV Line
Camera Mounting Hole	2 (Top / Bottom)
Multi-lingual Language	English, Spanish, French, German, Italian, Portuguese, Dutch

DIMENSIONS & WEIGHT	
Outline Dimension (W x H x D)	13.92" x 11.97" x 2.36"
	353.568mm x 343.038mm x 59.94mm
Net Weight / Gross Weight	10.58 lbs (4.8 Kg) / 13.80 lbs (6.26Kg)

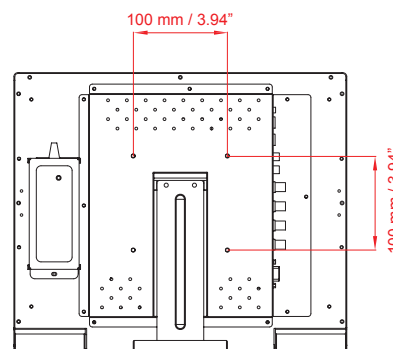
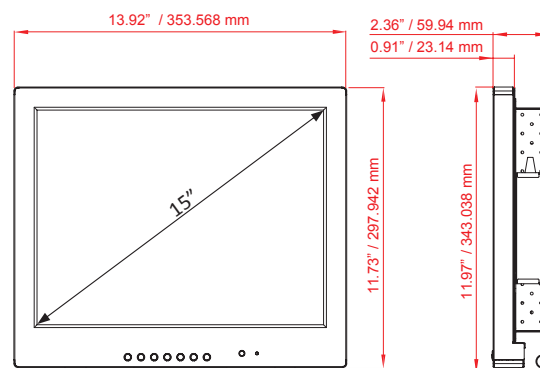
MOUNT	
VESA	100mm x 100mm, M4 x 10 Screws

GENERAL	
Transmitter - IR Remote Control	YES
Power	Electrical Ratings Consumption (Typ/Max)
	DC 12V, 3.0A (AC100 ~ 240V[50/60Hz]) 36 W
Warranty	Parts/ Labor MTBF (Approx.)
	3 Year / 3 Year 50,000 Hours
Operating Temperature	32 - 104°F / 0 - 40°C
Regulations	UL, CB, FCC(B), CE-Emc(LVD)
Compatible Mounts	Wall Ceiling Rack
	VZ-WM05, VZ-WM11, VZ-AM01 VZ-CMK01, VZ-CMK02 VZ-RMK08

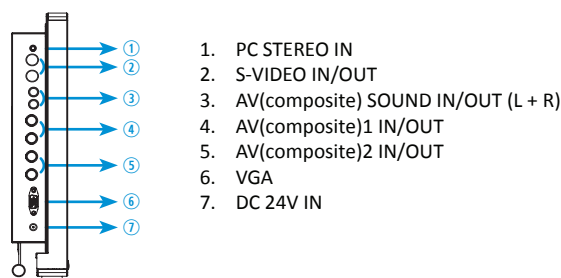
VZ-15RTC ADVANTAGES

- 15" LCD CCTV Monitor
- All Metal Cabinet
- BNC, VGA
- 3D Comb-filter, De-interlace, Built-in Speakers
- 3-Year Warranty

DIMENSIONS



INTERFACE



Contact ViewZ

- Address : 177 W. Orangethorpe Ave., Placentia, CA 92870
- Phone : (714) 996-1177, Fax : (714) 996-1138
- Sales : sales@viewzusa.com
- Specification subject to change without notice.