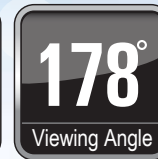
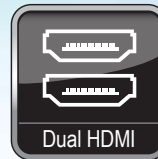




VF972HC

HIGH PERFORMANCE 9.7" LED VIEWFINDER / FIELD MONITOR



This 9.7" monitor uses a high resolution panel featuring 178°/178° wide viewing angles and is capable of multi-inputs including Video (CVBS) and two HDMI inputs and output. Many of the built-in functions and front assignable buttons make very convenience to use in the field.

SPECIAL FEATURES

- 9.7" 1024 x 768 and support up to 1920 x 1080
- Video Input : Video (CVBS) / Dual HDMI / YPbPr / Audio
- Video Output: Video (CVBS) / HDMI / YPbPr
- Brightness 400cd/m²
- Contrast 600:1
- Tally Interface
- Input Power DC7-24V (XLR Connector)
- Optional AB or IDX Battery Bracket
- Center & Screen Markers
- Peaking Filter
- False Colors
- Aspect Ratio
- Underscan
- PIP & Zoom
- HV Delay
- Flip H/V



The versatile folding sunshade hood is easy viewing in field and outside broadcast production when critical monitoring is required. It quickly removes when not needed.

Our Viewfinder / Field monitor support Video (CVBS) / HDMI / YPbPr / Audio inputs and Video (CVBS) / YPbPr / HDMI / USB outputs. Also use DC7-24V (XLR Connector) power input.



178° horizontal & 178° vertical wide viewing angles, it's available for people viewing from different angles with the same visual effect.



Additional function of battery charging for iPhone / Android Phone / Pad via USB 2.0 interface.

VF972HC

HIGH PERFORMANCE 9.7" LED VIEWFINDER / FIELD MONITOR

SPECIFICATIONS

VF972HC	
Panel	9.7 Inch
Resolution	1024 x 768, support up to 1920 x 1080
Pixel Pitch	0.192mm x 0.192mm
Display Area	196.608mm x 147.456mm
Color	262K
Brightness	400 cd/m ²
Contrast	600 : 1
Aspect Ratio	4 : 3 / 16 : 9
Backlight	LED
Video Interface	CVBS 1 In / 1 Out YPbPr 1 In / 1 Out HDMI 2 In / 1 Out Audio Speaker 1 (built-in) Ear Phone Jack 1 (built-in)
Functions Assignable in F1-F4 (* is Default)	Center Marker, Screen Marker, Check Field, Color Bar, PIP Camera, Flip, Zoom, Pixel-to-Pixel, Freeze Input, H/V Delay Under Scan, Peaking*, False Color*, Exposure*, Histogram*
Environment	0° C ~ 50° C (Operating) / -20° C ~ 60° C (Storage)
Dimensions (mm)	246 x 224 x 95
Power Requirement	100VAC to 240VAC (with AC Adaptor, XLR Connector)
Power Consumption	Approx. 18W

*Design and specifications are subject to change without notice

STANDARD ACCESSORIES

ORION Images VF972HC comes with sunshade hood, F970 & LPE6 battery brackets, TALLY connector and many more...



Sunshade Hood



Battery Brackets (F970, LPE6)



HDMI Cable



TALLY Connector



DC12V Power Adapter



Manual

OPTIONAL ACCESSORIES



BB-AB
Anton Bauer Battery
Bracket



BB-IDX
IDX Battery Bracket



Carrying Case



Gimbal Bracket

ADVANCED FUNCTIONS

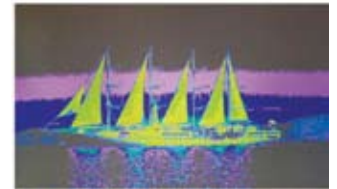


Design for Broadcasting & Live Events

- Tally interface will be available when monitor becomes view finder of camcorder.
- Adjustable gimbal bracket & ear phone slot.
- Slim & portable, easy for installation.
- DC powered. Optional Anton Bauer & IDX battery brackets can be mounted on back.



Peaking



False Color

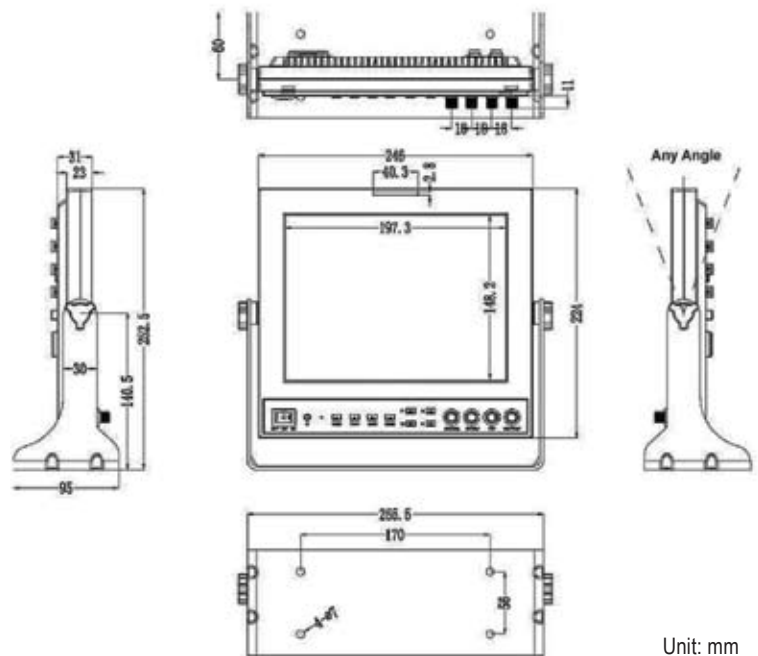


Exposure



Histogram

DIMENSIONS



Unit: mm