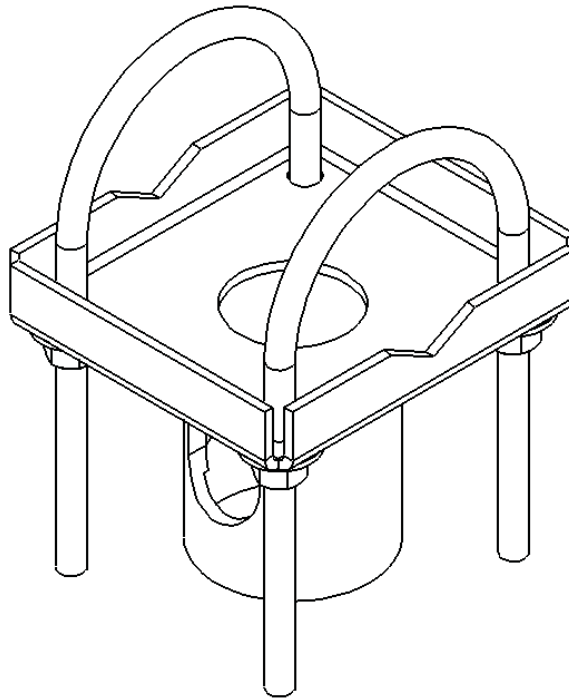




VIDEO MOUNT PRODUCTS

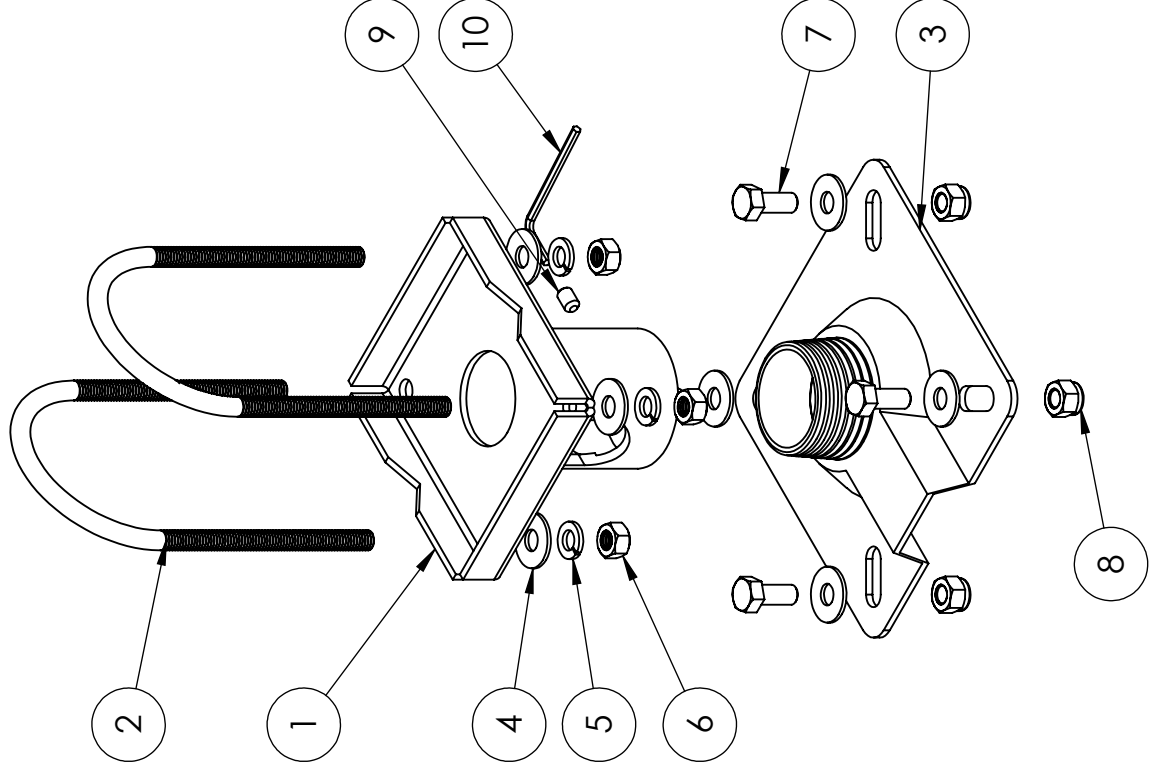
Instruction Sheet For:

TCA-1

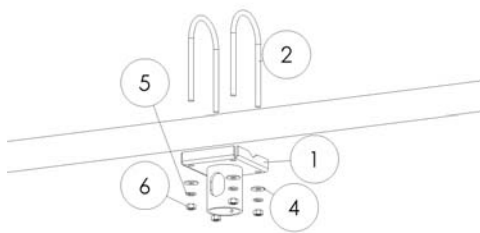


For more information, please contact us at:
345 Log Canoe Circle, Stevensville, Maryland 21666
Toll Free: 877.281.2169 Phone: 410.643.6390 Fax: 410.643.6615
www.videomount.com

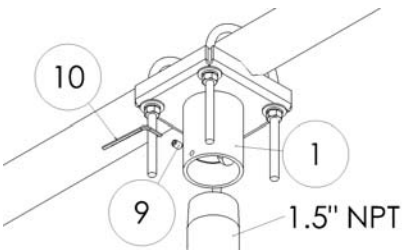
TCA-1



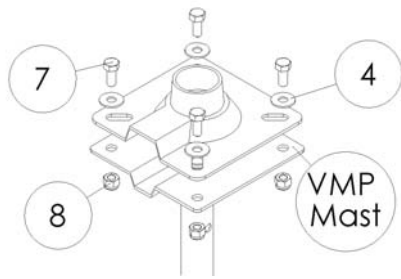
ITEM NO.	DESCRIPTION	QTY.
1	Base Plate	1
2	U Bolt	2
3	Adaptor Plate	1
4	Washer $\phi 8.3 \times \phi 19 \times T1.6$	8
5	Spring Lock Washers M8	4
6	Hex Nut 5/16"-18UNC	4
7	Hex Screw 5/16"-18UNC*L3/4"	4
8	Nylon Nut 5/16"-18UNC	4
9	Brake Screw 1/4"-20UNC*L3/8"	1
10	M3 Allen Key	1



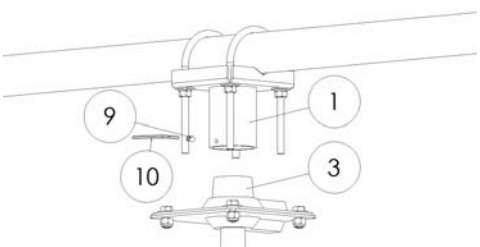
Step 2: U Bolting the Base Plate to the Truss/Pipe



Step 3: Attaching 1.5" NPT pipe



Step 4: Attaching VMP mast to Adaptor Plate



Step 5: Attaching Adaptor Plate to Base Plate



Step 1

Before starting, lay out all parts to your mount and match them to the parts list provided. Verify that you have all your parts before attempting to assemble the mount.

Step 2

Place the Base Plate (1) against the truss or circular pipe. Insert the U Bolts (2) through the Base Plate (1) over the truss or circular pipe. Use the Washers (4), Lock Washers (5) and Hex Nut (6) on the U Bolts (2) to secure the Base Plate (1) to the truss or circular pipe. *Note: To do this properly you will need to move the Hex Nuts (6) up the U Bolts (2) roughly evenly. If you get the Hex Nuts (6) too far apart it will angle the U Bolts (2) causing problems. Note: Maximum truss size is 3" wide and 3" tall. Maximum circular pipe diameter is 3".*

If you are using 1.5" NPT pipe

Step 3

Screw the pipe into the bottom of the Base Plate (1). Secure the pipe from turning by screwing in the Brake Screw (9) with the Allen Key (10) as tight as possible.

WARNING: To prevent possible injury that could occur if the 1.5" NPT pipe turns out of the Base Plate (1), please verify that you have tightened the Brake Screw (9) as far as possible.

If you are using the adaptor plate

Step 4

Attach the VMP ceiling mast to the Adaptor Plate (3) using the 5/16" Screws (7), Washers (4) and Nylon Nuts (8).

Step 5

Thread the Adaptor Plate (3) into the Base Plate (1) as tight as possible. Secure the Adaptor Plate (3) from turning by threading in the Brake Screw (9) with the Allen Key (10) as tight as possible.

WARNING: To prevent possible injury that could occur if the Adaptor Plate (3) turns out of the Base Plate (1), please verify that you have tightened the Brake Screw (9) as far as possible.

Please verify that all nuts and screws are securely tightened.

Enjoy Your Mount!

WARNING: The installer of these products must verify that the mount surface, ceiling or wall, will safely support the combined weight of all attached equipment and hardware. Video Mount Products will not be held liable for the improper use or installation of its products.