



# VEILUX®

## MOUNTING BRACKET

### SVEX-M25



SVEX-M25 is a special designed for pan/tilts wall mounting with load 100kg. Used for SVEX-B25, SVEX-B30 and SVEX-W125

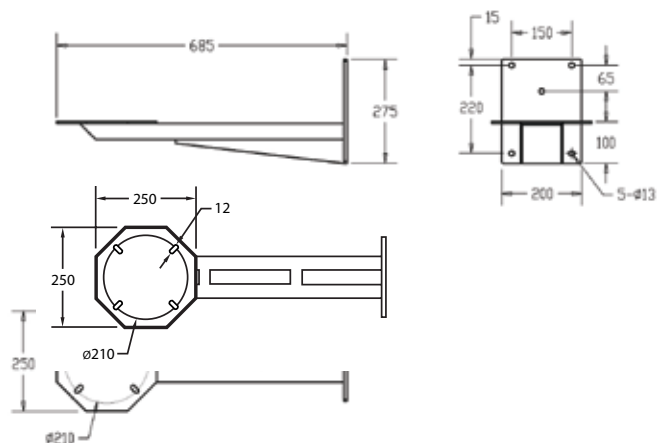
### MECHANICAL

ITEM	SVEX-M25
Material	Stainless Steel or Iron
Weight	8.6Kg (Stainless Steel) / 8.1Kg (Iron)
Load	100Kg
Mounting Type	Wall Mount

### FEATURES

- Stainless Steel
- Indoor & Outdoor Use
- Easy Installation & Maintenance

### DIMENSION



# VEILUX®

*The Art of Surveillance*

802 Greenview Dr, Suite 200, Grand Prairie, TX, 75050

Local Number: (214) 635-4855 / Fax: (214) 988-2858

Website: [www.veilux.net](http://www.veilux.net)

E-mail: [sales@veilux.net](mailto:sales@veilux.net)