

# SNC-CH140

Fixed Network HD Camera

**SONY**  
make.believe

## Vision with Precision for HD Security

Sony introduces a powerful addition to its network HD camera lineup, the SNC-CH140.

This dual-stream network HD camera, supporting H.264, MPEG-4, and JPEG compression formats, and delivers excellent picture quality in HD 720p resolution at 30 frames per second (fps).

Incorporating the new Exmor™ CMOS image sensor from Sony, which is specially designed for surveillance applications, the SNC-CH140 features state-of-the-art image-enhancement technology, such as View-DR™ which delivers an extremely wide dynamic range.

As a result, this camera provides not only high-quality HD images, but also HD images with excellent sensitivity and visibility even in challenging lighting environments. The SNC-CH140 Fixed Network Camera is an ideal choice for most demanding surveillance monitoring applications.



**HD**

### FEATURES

- Superb HD\*1 picture quality, supporting H.264 at 30 fps
- Three codecs (H.264, MPEG-4, JPEG) and dual streaming capability
- The new Exmor CMOS sensor delivers high image quality and low noise for surveillance

**HD**



- View-DR technology - Sony's innovative Wide Dynamic Range technology helps to capture objects clearly and adaptively even under harsh backlit or highly lit conditions.

**View-DR**



(Actual images)

- XDNR™ (eXcellent Dynamic Noise Reduction) technology for clear images without motion blur under low illumination



(Actual images)

- Easy Focus function
- DEPA™ Advanced Intelligent Video and Audio Analytics trigger an alarm, based on user-defined rules
  - Intelligent Motion Detection with virtual borderline function
  - Tamper Alarm



- Power over Ethernet (PoE) capability
- CompactFlash® slot for on-board recording/wireless capability
- ONVIF™ (Open Network Video Interface Forum) software that ensures greater interoperability and more flexibility in building multiple vendor systems.

**ONVIF**

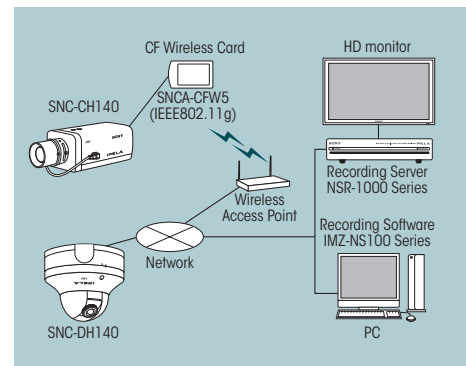
**IPELA™**

## SPECIFICATIONS

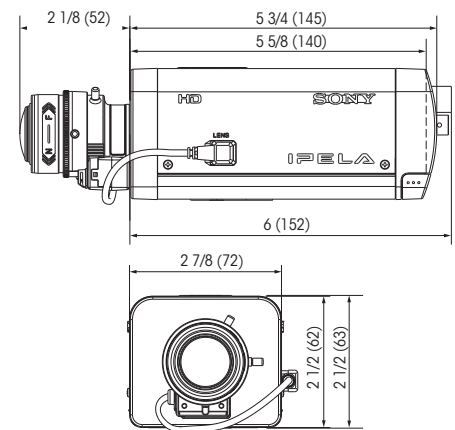
SNC-CH140	
<b>Camera</b>	
Image device	1/3-type progressive scan Exmor CMOS sensor
Minimum illumination	Color : 0.20 lx, B/W : 0.10 lx (F1.2/View-DR Off/XDNR ON-Middle/VE Off/AGC High/50 IRE[IP])
Number of effective pixels (H x V)	Approx. 1.4 Megapixel
Electronic shutter speed	1 s to 1/10000s
Auto gain control	Max. gain setting LOW, MID, HIGH
Exposure control	Auto, EV Compensation*, Auto Slow Shutter*
White balance mode	Auto (ATW, ATW-Pro), Preset, One-push WB, Manual
Lens type	CS Mount lens
Zoom ratio	Approx. 2.9X
Horizontal viewing angle	33.9 to 96.5 degrees
Focal length	f=2.8 to 8.0 mm
F-number	F1.2 (wide), F1.9 (tele)
Powered Focus	Yes (Easy Focus)
Powered Zoom	No
<b>Camera Features</b>	
Day/Night <sup>3</sup>	Yes
Wide-D	View-DR technology (130dB)
Image enhancement	Visibility Enhancer
Noise reduction	XDNR technology
<b>Image</b>	
Codec image size (H x V)	1280 x 1024, 1280 x 960, 1280 x 800, 1280 x 720, 1024 x 768, 1024 x 576, 800 x 480, 768 x 576, 640 x 480, 640 x 368, 384 x 288, 320 x 240, 320 x 192
Video compression format	H.264, MPEG-4, JPEG
Maximum frame rate	H.264/MPEG-4/JPEG: 30 fps (1280 x 720)
<b>Audio</b>	
Audio compression	G.711/G.726
<b>Scene Analytics</b>	
Intelligent motion detection	Yes (with built-in Post Filter)
Intelligent object detection	No
<b>Network</b>	
Protocols	IPv4, IPv6, TCP, UDP, ARP, ICMP, IGMP, HTTP, HTTPS, FTP (client/server), SMTP, DHCP, DNS, NTP, RTP/RTCP, RTSP, SNMP (MIB-2)
ONVIF conformance	Yes
Wireless network	Yes (with option*)
Number of clients	10
Authentication	IEEE802.1X
<b>Analog Video Output</b>	
Signal system	NTSC/PAL
Horizontal resolution	600 TVL
S/N ratio	More than 50 dB
<b>Interface</b>	
Ethernet	10BASE-T / 100BASE-TX (RJ-45)
Serial interface	No
Card slots	CF card x1
Analog video output	Composite video (1Vp-p)
Sensor input	x 1
Alarm output	x 2
External microphone input	Mini-jack (monaural), MIC IN/LINE IN: 2.5 V DC plug-in power
Audio line output	Mini-jack (monaural), Max output level: 1 Vrms
<b>General</b>	
Weight	Approx. 1 lb 2 oz (600 g)
Dimensions (W x H x D)	2 7/8 x 2 1/2 x 7 7/8 inches (72 x 63 x 197 mm)
Power requirements	PoE, AC 24 V, DC 12 V
Power consumption	9.0 W max.
Operating temperature	-14 to 122 °F <sup>4</sup> (-10 to +50 °C)
Storage temperature	-4 to 140 °F (-20 to +60 °C)
<b>System Requirements</b>	
Operating system	Windows XP™, Windows Vista™
Processor	Intel Core2 Duo 2 GHz or higher
Memory	1 GB or more
Web browser	Microsoft Internet Explorer® Ver 6.0, Ver 7.0
<b>Supplied Accessories</b>	
CD-ROM (User's guides, SNC Toolbox), Installation manual, Wire rope, Warranty booklet	

\*1 Visibility Enhancer off mode only \*2 View-DR off mode only \*3 Removable IR Cut Filter \*4 View-DR technology is a combination of Sony's full-capture Wide-D technology, the high-speed Exmor CMOS sensor, and Visibility Enhancer. \*5 With optional SNCA-CFW5 \*6 Cold start temperature must be greater than 0°C.

## SYSTEM CONFIGURATIONS

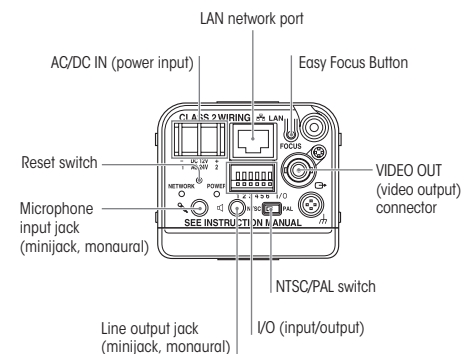


## DIMENSIONS



Unit: inches (mm)

## CONNECTORS



\* The SNC-CH140 include software developed by the OpenSSL Project for use in the OpenSSL Toolkit (<http://www.openssl.org/>).