

4-194-205-12 (2)

Network Camera

Installation Manual

Before operating the unit, please read this manual thoroughly and retain it for future reference.

使用手册

使用产品前请仔细阅读本书，并请妥善保管。

IPELA HD SNC-CH110/CH210

http://www.sony.net/

© 2010 Sony Corporation Printed in China

English

Owner’s Record

The model and serial numbers are located on the top. Record these numbers in the spaces provided below. Refer to these numbers whenever you call upon your Sony dealer regarding this product.

Model No. _____ Serial No. _____

WARNING

To reduce a risk of fire or electric shock, do not expose this product to rain or moisture.

To avoid electrical shock, do not open the cabinet. Refer servicing to qualified personnel only.

WARNING

This installation should be made by a qualified service person and should conform to all local codes.

CAUTION

Use shielded LAN cables to install the SNC-CH110.

CAUTION for LAN port

For safety reason, do not connect the LAN port to any network devices that might have excessive voltage.

The LAN port of this unit is to be connected only to the devices whose power feeding meets the requirements for SELV (Safety Extra Low Voltage) and complies with Limited Power Source according to IEC 60950-1.

Use IEEE802.3af standard compliant devices.

For customers in the U.S.A.

<p>This device complies with Part 15 of the FCC Rules. Operation is subject to the following two conditions: (1) This device may not cause harmful interference, and (2) this device must accept any interference received, including interference that may cause undesired operation.</p>
--

You are cautioned that any changes or modifications not expressly approved in this manual could void your authority to operate this equipment. All interface cables used to connect peripherals must be shielded in order to comply with the limits for a digital device pursuant to Subpart B or Part 15 of FCC Rules.

Model SNC-CH110

NOTE: This equipment has been tested and found to comply with the limits for a Class B digital device, pursuant to part 15 of the FCC Rules. These limits are designed to provide reasonable protection against harmful interference in a residential installation. This equipment generates, uses and can radiate radio frequency energy and, if not installed and used in accordance with the instructions, may cause harmful interference to radio communications. However, there is no guarantee that interference will not occur in a particular installation. If this equipment does cause harmful interference to radio or television reception, which can be determined by turning the equipment off and on, the user is encouraged to try to correct the interference by one or more of the following measures:

- Reorient or relocate the receiving antenna.
- Increase the separation between the equipment and receiver.
- Connect the equipment into an outlet on a circuit different from that to which the receiver is connected.
- Consult the dealer or an experienced radio/TV technician for help.

Model SNC-CH210

NOTE: This equipment has been tested and found to comply with the limits for a Class A digital device, pursuant to part 15 of the FCC Rules. These limits are designed to provide reasonable protection against harmful interference when the equipment is operated in a commercial environment. This equipment generates, uses, and can radiate radio frequency energy and, if not installed and used in accordance with the instruction manual, may cause harmful interference to radio communications. Operation of this equipment in a residential area is likely to cause harmful interference in which case the user will be required to correct the interference at his own expense.

For customers in Canada

Model SNC-CH110
This Class B digital apparatus complies with Canadian ICES-003.
Cet appareil numérique de la classe B est conforme a la norme NMB-003 du Canada.

Model SNC-CH210
This Class A digital apparatus complies with Canadian ICES-003.
Cet appareil numérique de la classe A est conforme à la norme NMB-003 du Canada.

For the customers in Europe

The manufacturer of this product is Sony Corporation, 1-7-1 Konan, Minato-ku, Tokyo, Japan.
The Authorized Representative for EMC and product safety is Sony Deutschland GmbH, Hedelfinger Strasse 61, 70327 Stuttgart, Germany.
For any service or guarantee matters please refer to the addresses given in separate service or guarantee documents.

For the customers in Europe, Australia and New Zealand

WARNING (for model SNC-CH210 only)

This is a Class A product. In a domestic environment, this product may cause radio interference in which case the user may be required to take adequate measures. In the case that interference should occur, consult your nearest authorized Sony service facility. This apparatus shall not be used in the residential area.

ATTENTION

The electromagnetic fields at specific frequencies may influence the picture of the unit.

Notes on Use

Before Use

- If you find condensation before use, leave the camera out for long enough and do not turn on the power until the condensation disappear.
- Remove static electricity before installation and operation.

Data and security

- You should keep in mind that the images or audio you are monitoring may be protected by privacy and other legal rights, and the responsibility for making sure you are complying with applicable laws is yours alone.
- Access to the images and audio is protected only by a user name and the password you set up. No further authentication is provided nor should you presume that any other protective filtering is done by the service. Since the service is Internet-based, there is a risk that the image or audio you are monitoring can be viewed or used by a third-party via the network.
- SONY IS NOT RESPONSIBLE, AND ASSUMES ABSOLUTELY NO LIABILITY TO YOU OR ANYONE ELSE, FOR SERVICE INTERRUPTIONS OR DISCONTINUATIONS OR EVEN SERVICE CANCELLATION. THE SERVICE IS PROVIDED AS-IS, AND SONY DISCLAIMS AND EXCLUDES ALL WARRANTIES, EXPRESS OR IMPLIED, WITH RESPECT TO THE SERVICE INCLUDING, BUT NOT LIMITED TO, ANY OR ALL IMPLIED WARRANTIES OF MERCHANTABILITY, FITNESS FOR A PARTICULAR PURPOSE, OR THAT IT WILL OPERATE ERROR-FREE OR CONTINUOUSLY.
- Always make a test recording, and verify that it was recorded successfully. SONY WILL NOT BE LIABLE FOR DAMAGES OF ANY KIND INCLUDING, BUT NOT LIMITED TO, COMPENSATION OR REIMBURSEMENT ON ACCOUNT OF FAILURE OF THIS UNIT OR ITS RECORDING MEDIA, EXTERNAL STORAGE SYSTEMS OR ANY OTHER MEDIA OR STORAGE SYSTEMS TO RECORD CONTENT OF ANY TYPE.
- Always verify that the unit is operating properly before use. SONY WILL NOT BE LIABLE FOR DAMAGES OF ANY KIND INCLUDING, BUT NOT LIMITED TO, COMPENSATION OR REIMBURSEMENT ON ACCOUNT OF THE LOSS OF PRESENT OR PROSPECTIVE PROFITS DUE TO FAILURE OF THIS UNIT, EITHER DURING THE WARRANTY PERIOD OR AFTER EXPIRATION OF THE WARRANTY, OR FOR ANY OTHER REASON WHATSOEVER.
- If you lose data by using this unit, SONY accepts no responsibility for restoration of the data.

Personal information

- The images taken by the system using this device can identify individuals and thus they fall under “personal information” stipulated in the “Act on the Protection of Personal Information”. Please handle the video data appropriately according to law.
- Information recorded using this product may also be “personal information”. Upon disposal, transfer, repair, or any other occasion where this product or storage media is passed on to a third party, practice due care in its handling.

Operating or storage location

Avoid operating or storing the camera in the following locations.

- Extremely hot or cold places (Operating temperature: 0°C to 50°C [32°F to 122°F])
- Exposed to direct sunlight, or close to heating equipment (e.g., near heaters)
- Close to sources of strong magnetism
- Close to sources of powerful electromagnetic radiation, such as radios or TV transmitters
- Locations subject to strong vibration or shock
- Humid or dusty locations
- Locations exposed to rain
- Locations under the influence of fluorescent light or reflection of a window
- Under an unsteady light (The image will flicker.)

Ventilation

To prevent heat buildup, do not block air circulation around the camera.

Power supply

- The power of this model is supplied by network cable.
- Use network cable STP, category-5 (SNC-CH110) or network cable UTP, category-5 (SNC-CH210).
- Damage to the network cable may result in fire or electric shock.

Transportation

- Always turn off the power when carrying.
- When transporting the camera, repack it as originally packed at the factory or in materials of equal quality.

Cleaning

- Use a blower to remove dust from the lens.
- Use a soft, dry cloth to clean the external surfaces of the camera. Stubborn stains can be removed using a soft cloth dampened with a small quantity of detergent solution, then wipe dry.
- Do not use volatile solvents such as alcohol, benzene or thinners as they may damage the surface finishes.

<p>Note on laser beams</p> <p>Laser beams may damage image sensors. You are cautioned that the surface of image sensors should not be exposed to laser beam radiation in an environment where a laser beam device is used.</p>

Phenomena Specific to Image Sensors

The following phenomena that may occur in images are specific to image sensors. They do not indicate a malfunction.

White flecks

Although the image sensors are produced with high-precision technologies, fine white flecks may be generated on the screen in rare cases, caused by cosmic rays, etc.

This is related to the principle of image sensors and is not a malfunction.

The white flecks especially tend to be seen in the following cases:

- when operating at a high environmental temperature
- when you have raised the gain (sensitivity)
- when using the slow shutter

Aliasing

When fine patterns, stripes, or lines are shot, they may appear jagged or flicker.

About the Supplied Manuals

Installation Manual (this document)

This Installation Manual describes the names and functions of parts and controls of the Network Camera, gives connection examples and explains how to set up the camera. Be sure to read the Installation Manual before operating.

User’s Guide (stored in the CD-ROM)

The User’s Guide describes how to set up the camera and how to control the camera via a Web browser.

After installing and connecting the camera correctly, operate referring to this User’s Guide.

Using the CD-ROM Manuals

The supplied CD-ROM disc includes the User’s Guides for this unit in PDF format.

Preparations

The Adobe Reader Version 6.0 or higher must be installed on your computer in order to use the guides stored in the CD-ROM disc.

Note

If Adobe Reader is not installed, it may be downloaded from the following URL: **http://www.adobe.com/**

Reading the manual in the CD-ROM

1 Insert the CD-ROM in your CD-ROM drive.

A cover page appears automatically in your Web browser. If it does not appear automatically in the Web browser, double-click on the index.htm file on the CD-ROM.

2 Select and click on the manual that you want to read.

This opens the PDF file of the manual. Clicking an item in the Table of Contents allows you jump to the relevant page.

Notes

- The files may not be displayed properly, depending on the version of Adobe Reader. In this case, install the latest version, which you can download from the URL mentioned in “Preparations” above.
 - If you have lost or damaged the CD-ROM, you can purchase replacement. Contact your Sony service representative.
- Adobe and Acrobat Reader are trademarks of Adobe Systems Incorporated in the United States and/or other countries.

中文

产品名称：网络摄像机

警告

为减少火灾或电击危险，请勿让本设备受到雨淋或受潮。

为防止触电严禁拆开机壳，维修请咨询具备资格人士。

警告

本安装应该由有资格的服务人员进行，并须符合所有当地法规规定。

注意事项

请使用屏蔽型局域网电缆安装 SNC-CH110。

局域网端口的注意事项

为安全起见，切勿将局域网端口连接到可能有过高电压的网络设备。

本机的局域网端口只能连接到供电符合 SELV（安全超低电压）要求和依照 IEC 60950-1 符合 Limited Power Source（有限电源）要求的设备。使用 IEEE802.3af 标准兼容设备。

警告（机型SNC-CH210）

此为 A 级产品。在生活环境中，该产品可能会造成无线电干扰。在这种情况下，可能需要用户对干扰采取切实可行的措施。如果发生干扰，请咨询最近的 Sony 授权服务中心。

注意

某些特定频率的电磁场可能会干涉本装置的图像。

使用注意事项

使用前

- 如果在使用前发现有湿气凝结，请将摄像机长时间搁置，直到湿气凝结消失后再打开电源。
- 请在安装和操作前先去除静电。

数据与安全

- 请注意，您所监视的图像或音频可能受到个人隐私和其它合法权利的保护，并且您有责任确保您遵守相关法律。
- 对图像和音频的访问仅由您所设定的用户名和密码保护。除此之外未提供其它身份验证方法，用户也不应该假定本服务提供了其它滤除功能。由于本服务基于互联网，会有第三者经由网络观看或使用监视中的影像或音频的危险。
- SONY 对于服务中断、不连续、甚至服务取消不承担责任。本服务按照原样提供，且 SONY 对于与服务相关的明示或暗示的保证不承担责任，包含但不限于任何对适销性、对特定用途的适用性或无故障连续使用的所有暗示保证。
- 在记录前，请始终进行记录测试，并确认记录是否成功。SONY 对任何损坏概不负责。由于本机故障或由记录介质、外部存储系统或者任何其他介质或储存系统记录的任何形式的记录内容的损害不作（包括但不限于）退货或赔偿。
- 在使用前请始终确认本机运行正常。无论保修期内外或基于任何理由，SONY 对任何损坏概不负责。由于本机故障造成的现有损失或预期利润损失，不作（包括但不限于）退货或赔偿。
- 如果使用本机而造成数据丢失，SONY 不负责任进行数据的恢复。

个人信息

- 使用本设备通过系统拍摄的影像能够识别个人，因此应归入“Act on the Protection of Personal Information（个人信息保护法）”中规定的“personal information（个人信息）”内。请按照法律正确处理视频数据。
- 使用本产品记录的信息可能也是“personal information（个人信息）”。丢弃、转让、维修时或在本产品或存储媒体转交给第三方的任何其他场合，请小心处理。

操作或存放场所

避免在以下位置使用或存放摄像机。

- 极热或极冷的地方（操作温度：0°C 至 50°C）
- 暴露于直射阳光下，或者靠近热源（比如加热器）的地方
- 靠近强磁源的位置
- 靠近无线电或电视发射器等强电磁辐射源的地方
- 易于受到强力振动或撞击的地方
- 潮湿或有灰尘的地方
- 暴露于雨水的地方
- 受到荧光灯或窗户反射光影响的地方
- 在不稳定光线的下面（图像会抖动。）

通风

为了避免热量积蓄，不要阻挡摄像机附近的通风。

电源

- 本型号的电源由网线提供。
- 使用 5 类 STP 网线（SNC-CH110）或 5 类 UTP 网线（SNC-CH210）。
- 网线损坏可能会造成起火或触电。

运送

- 携带时务必关闭电源。
- 当运送摄像机时，重新以出厂时的包装进行包装，或用同等品质的材质包装。

清洁

- 用吹灰器清除镜头灰尘。
- 使用柔软、干燥的布清洁摄像机的外表面。要清除顽固的污渍，请用少量清洁剂蘸湿软布，然后擦干即可。
- 不要使用酒精、苯或稀释剂等挥发性溶剂，这些物质可能会破坏表面光洁度。

<p>有关激光束的注意事项</p> <p>激光束可能会损坏影像传感器。请注意：在使用激光束设备的环境中，影像传感器的表面不得暴露于激光束辐射中。</p>

<p>影像传感器特有的现象</p> <p>影像中可能会出现以下影像传感器特有的现象。它们并非故障。</p>
--

白斑

虽然图像传感器是采用高精度技术生产的，但由于宇宙射线等的影响，其屏幕上可能会出现细小的白斑（极少数情况）。

这与图像传感器的原理有关，出现的白斑并不是故障。

在以下情况中，比较容易出现白斑：

- 在高温环境下进行操作时
- 提高倍率（灵敏度）时
- 当使用慢快门时

图形失真

拍摄微小的图案、条纹或线条时，它们可能呈锯齿状或出现闪烁现象。

关于随附手册

使用手册（本文档）

本使用手册介绍网络摄像机各部件和控制器的名称和功能，连接示例和摄像机的设定方法。操作前请务必先阅读使用手册。

用户指南（存储在 CD-ROM 中）
用户指南介绍如何设定摄像机和如何通过网络浏览器控制摄像机。
正确安装和连接摄像机后，请参照本用户指南操作。

使用 CD-ROM 手册

随附 CD-ROM 光盘包括 PDF 格式的本机用户指南。

准备工作

若要使用存储在 CD-ROM 光盘中的用户指南，则必须在电脑上安装 Adobe Reader 6.0 或更高版本。

注意

如果未安装 Adobe Reader，可从下列 URL：**http://www.adobe.com/** 下载。

读取 CD-ROM 中的手册

- 将 CD-ROM 插入 CD-ROM 驱动器。**
会在网络浏览器中自动出现封面页。如果没有在网络浏览器中自动出现封面页，请双击 CD-ROM 上的 index.htm 文件。

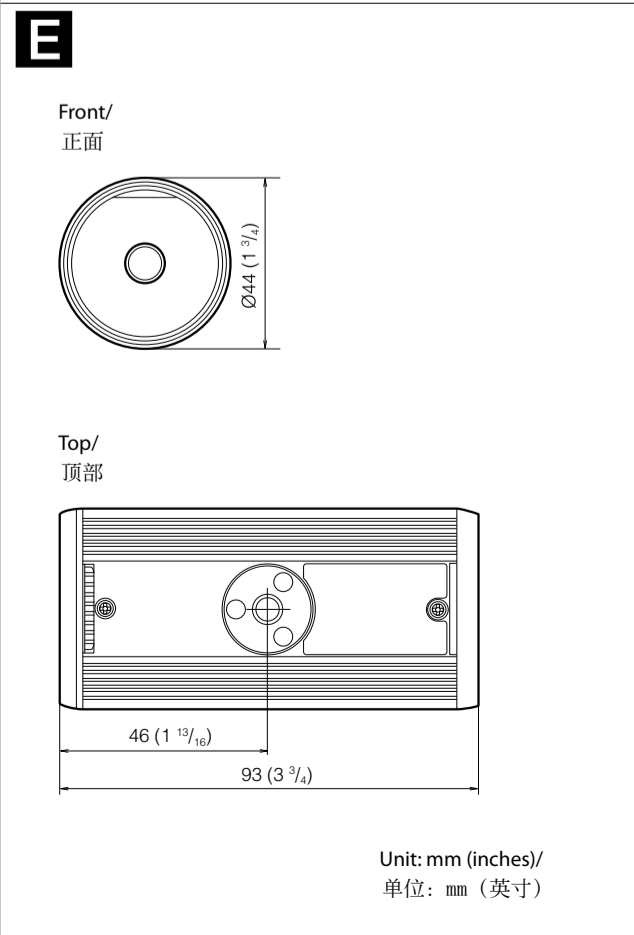
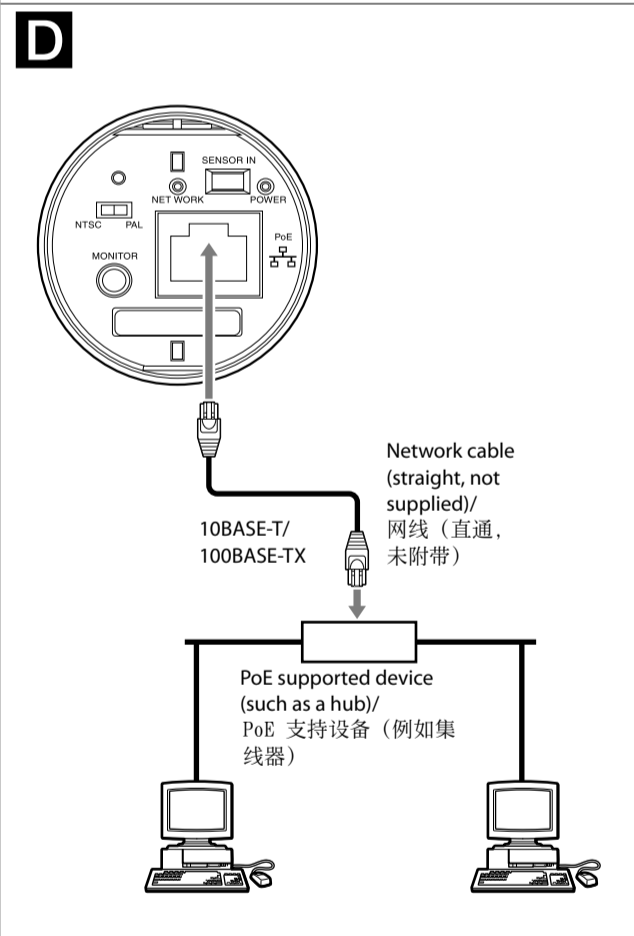
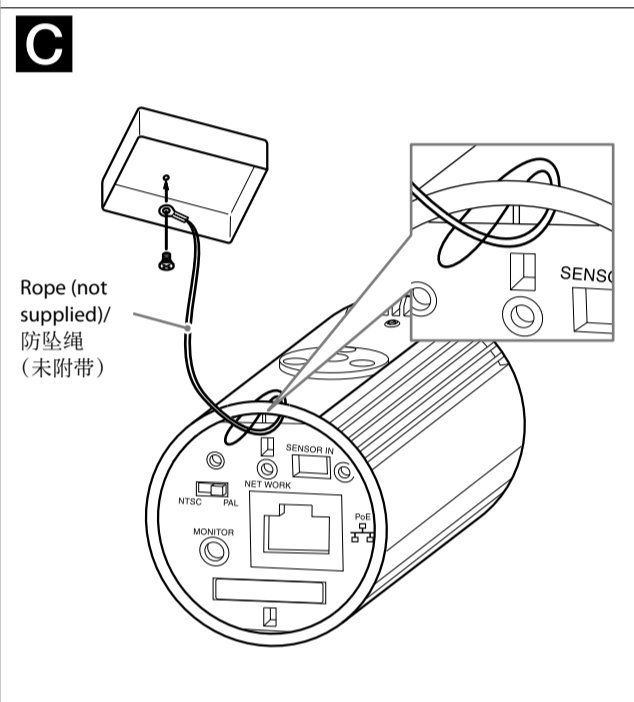
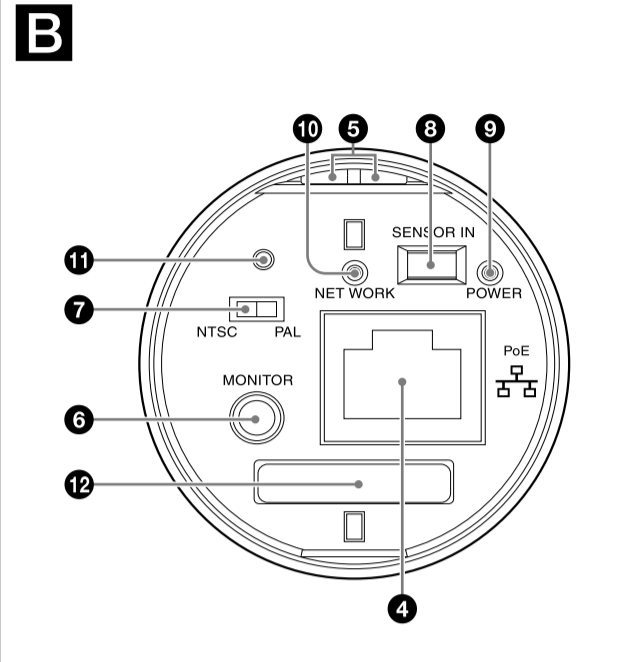
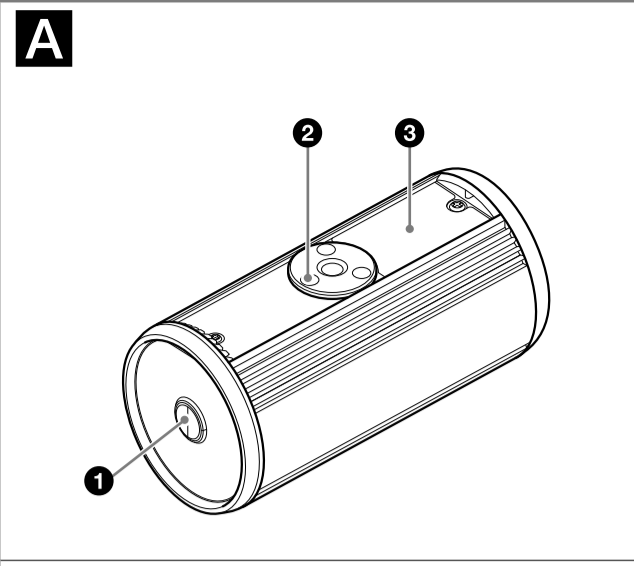
- 选择并单击您要读取的手册。**
这样即打开手册的 PDF 文件。单击目录上的项目可让您跳到相关页面。

注意

- 视 Adobe Reader 版本而定，可能无法正确显示文件。在此情况下，请安装最新版本，可从上述“准备工作”中提到的 URL 下载。
- 如果您丢失或损坏 CD-ROM，可购买替换光盘。请联系您的 Sony 服务代表。

Adobe 和 Adobe Reader 是 Adobe Systems Incorporated 在美国和/或其他国家的商标。

（接反面）



Unit: mm (inches)/
单位: mm (英寸)

English

Location and Function of Part

Front - Top

1 Lens
A fixed-focus lens is mounted.

2 Tripod screw hole
Use this screw hole when attaching the camera to a tripod (screw: 1/4", 20 UNC). You can attach a tripod to either the top or bottom of the camera.

U1/4", 20 UNC
 $\ell = 4.5 \text{ mm} - 7 \text{ mm}$
(ISO standard) (with the screws fastened)

Caution
Use the mounting screw whose length is 4.5 mm ($\frac{9}{32}$ inch) - 7 mm ($\frac{7}{16}$ inch) only. Use of other screws may cause improper mounting and damage parts inside the camera.

3 Model name label
This label shows device information, such as the model name and serial number.

Rear

4 LAN connector (PoE) [RJ-45]
Use network cable STP, category-5 (SNC-CH110) or network cable UTP, category-5 (SNC-CH210) for network communications and PoE* power supply.
◆ See "connect to network" for connection.
(* PoE: The acronym for Power over Ethernet. IEEE 802.3af standard compliant devices.)

5 Fall-prevention rope mounting hole
When installing the camera on a ceiling or a wall. Be sure to secure a fall-prevention rope (not supplied) to this hole for safety.

6 MONITOR out connector [AV minijack]
Output the composite video signal from the camera. Monitor out is used when you adjust the view angle.
◆ Before use, see the procedure from "Using the monitor out".

Note
Before use, it is necessary to connect to the PC and change the system setting.

7 NTSC/PAL switch
Switching the video output.

8 Sensor input

Sensor input cable color	Signal
Red	Sensor input+
White	Sensor input- (GND)

◆ For details on function and required settings, refer to the User's Guide stored in the supplied CD-ROM.
◆ For the wiring, see "Wiring diagram for sensor input".

9 POWER indicator (Green)
When the power is supplied to the camera, the camera starts checking the system. If the system is normal, this indicator lights up.

10 NETWORK indicator (Green/Orange)
The indicator lights up or flashes when the camera is connected to the network. When 100BASE-TX is connected, the indicator turns green. When 10BASE-T is connected, the indicator turns orange.

11 Reset switch
To reset the camera to the factory default settings, turn on the power to the camera while holding down this switch with a pointed object.

12 MAC Address label
Indicates the MAC address of this camera.

Installation

Caution
When installing the camera on a ceiling or a high location, be sure to secure a fall-prevention rope (not supplied) to the camera for safety.

Attaching the fall-prevention rope

When you install the camera on a ceiling or a high location, be sure to attach a fall-prevention rope (not supplied) to prevent the camera from falling. Thread the fall-prevention rope through the hole on the rear of the camera, and then fix it to the junction box on the ceiling or wall with a screw (not supplied), as in the illustration.
For details about the fall-prevention rope, please consult the store of purchase or an authorized Sony dealer.

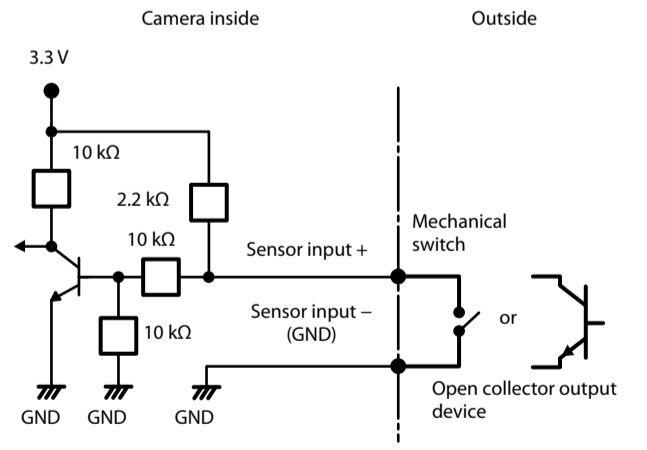
Note
Take care to avoid any short-circuits with the rope when you attach it.

Connection

Connect to the Network
Connect the LAN connector of the camera to a PoE* supported device (such as a hub) using the network cable (straight, not supplied). The electrical power is supplied through the network cable. For details, refer to the instruction manuals of the PoE supported devices.

Note
Be sure to use shielded LAN cables for the SNC-CH110.
(* PoE: The acronym for Power over Ethernet. IEEE 802.3af standard compliant devices.)

Wiring diagram for sensor input



Using the monitor out

Setting the view angle of the monitor out

- Make sure the POWER indicator lights up.
- Select the installation tab in system setting menu, then set monitor out to On.
- Connect the AV cable to the monitor out [AV minijack].
- Adjust the view angle.
- Select the installation tab in system setting menu, then set monitor out to Off.
- Disconnect the AV cable.
◆ The system setting is changed from PC.
For details on required settings, see the User's Guide stored in the supplied CD-ROM.

Notes

- Connect the AV cable when the POWER indicator lights up.
- Be aware that the system performance may be influenced, if the monitor out is set to On. Be sure to set it to Off and disconnect the AV cable.

Using the front sheet

If you want to turn the front logo upside down (for correct orientation after installation), use the supplied front sheet (with logo).
If you want to hide front logo, use the supplied front sheet (without logo).
If you want to make a change after using the initial front sheet, the second front sheet can be used over the first one.

Specifications

Compression
Video compression format: JPEG/MPEG4/H.264
Maximum frame rate: JPEG/MPEG4/H.264: 30 fps (1280 × 720)

Camera
Image device: SNC-CH110: 1/3.8 type CMOS
Effective picture elements: Approx. 1,280,000
SNC-CH210: 1/2.8 type CMOS (Exmor)
Effective picture elements: Approx. 3,270,000

Minimum illumination: SNC-CH110: 5.0 lx (AGC (max.)/50 IRE (IP))
SNC-CH210: 2.0 lx (AGC (max.)/50 IRE (IP))

Lens
Focal length: SNC-CH110: 2.34 mm
SNC-CH210: 3.3 mm
Maximum relative aperture: F2.8
View angle: SNC-CH110: Horizontal: 80.7°/Vertical: 63.3° (4:3 mode)
SNC-CH210: Horizontal: 88°/Vertical: 65° (4:3 mode)

Minimum object distance: 0.5 m

Interface
LAN (PoE): 10BASE-T/100BASE-TX, auto negotiation RJ-45
Sensor input: 1 port: make contact and break contact switchable
Monitor out: NTSC/PAL
1.0 Vp-p, 75 ohms, unbalanced, sync negative AV minijack*
* Use AV cable with mini-plug at AV4 terminal.

Others
Power: IEEE802.3af compliant (PoE system) Class 1
Power consumption: 2.4 W
Operating temperature: 0°C - 50°C (32°F to 122°F)
Storage temperature: -20°C to +60°C (-4°F to +140°F)
Operating humidity: 20% to 80% (Non-condensing)
Storage humidity: 20% to 95%
Dimensions (diameter × length): ø44 mm × 93 mm (1 3/4 inches × 3 3/4 inches)
Mass: Approx. 100 g (3.5 oz)
Supplied accessories: CD-ROM (User's Guides, and supplied programs) (1)
Sensor input cable (1)
Front sheet (with logo) (1)
Front sheet (without logo) (1)
Installation Manual (this document) (1)

Design and specifications are subject to change without notice.

Recommendation of Periodic Inspections
In case using this device over an extended period of time, please have it inspected periodically for safe use.
It may appear flawless, but the components may have deteriorated over time, which may cause a malfunction or accident.
For details, please consult the store of purchase or an authorized Sony dealer.

中文

各部件位置和功能

正面・顶部

1 镜头
安装定焦镜头。

2 三脚架螺丝孔
将摄像机安装到三脚架上时使用此螺丝孔 (螺丝: 1/4", 20 UNC)。您可以将三脚架安装在摄像机的顶部或底部。

U1/4", 20 UNC
 $\ell = 4.5 \text{ mm} - 7 \text{ mm}$
(ISO 标准) (螺丝处于拧紧状态)

注意
只能使用长度为 4.5 mm - 7 mm 的安装螺丝。使用其它螺丝可能会造成不当安装, 并可能损坏摄像机内部零件。

3 型号标签
此标签表示设备信息, 例如型号和序列号。

背面

4 LAN 接口 (PoE) [RJ-45]
使用 5 类 STP 网线 (SNC-CH110) 或 5 类 UTP 网线 (SNC-CH210) 进行网络通讯和 PoE* 供电。
◆ 关于连接, 请参见 "连接至网络"。
(* PoE: Power over Ethernet 的缩写。符合 IEEE 802.3af 标准的设备。)

5 防坠绳安装孔
将摄像机安装在天花板或墙上时。出于安全, 必须将防坠绳 (未附带) 固定在此孔中。

6 MONITOR 输出接口 [AV 迷你插孔]
输出来自摄像机的复合视频信号。
显示器输出用于调节视角时。
◆ 使用前, 请阅读 "使用显示器输出" 中的步骤。

注意
使用前, 需要连接 PC 和改变系统设置。

7 NTSC/PAL 开关
切换视频输出。

8 传感器输入

传感器输入电缆颜色	信号
红色	传感器输入 +
白色	传感器输入 - (GND)

◆ 有关功能和所需设定的详情, 请参见附带 CD-ROM 中存储的用户指南。
◆ 关于布线, 请参见 "传感器输入布线图"。

9 POWER 指示灯 (绿色)
当摄像机通电时, 摄像机便开始检查系统。如果系统正常, 则该指示灯亮起。

10 NETWORK 指示灯 (绿色/橙色)
摄像机连接至网络时, 指示灯点亮或闪烁。摄像机未连接至网络时, 指示灯熄灭。连接了 100BASE-TX 时, 指示灯变为绿色。连接了 10BASE-T 时, 指示灯变为橙色。

11 复位开关
若要将摄像机复位至出厂默认设定, 请用尖头物体顶住此开关打开摄像机电源。

12 MAC 地址标签
表示本摄像机的 MAC 地址。

安装

注意
将摄像机安装到天花板或较高的位置时, 出于安全, 必须将防坠绳 (未附带) 固定在摄像机上。

安装防坠绳

将摄像机安装在天花板或较高位置时, 必须安装防坠绳 (未附带), 以防止摄像机掉落。如图所示, 将防坠绳穿过摄像机背面的孔, 然后用螺丝 (未附带) 固定于天花板或墙上的接线盒。
有关防坠绳的详情, 请向购买商店或授权 Sony 经销商咨询。

注意
连接时请小心, 以免与钢绳发生短路。

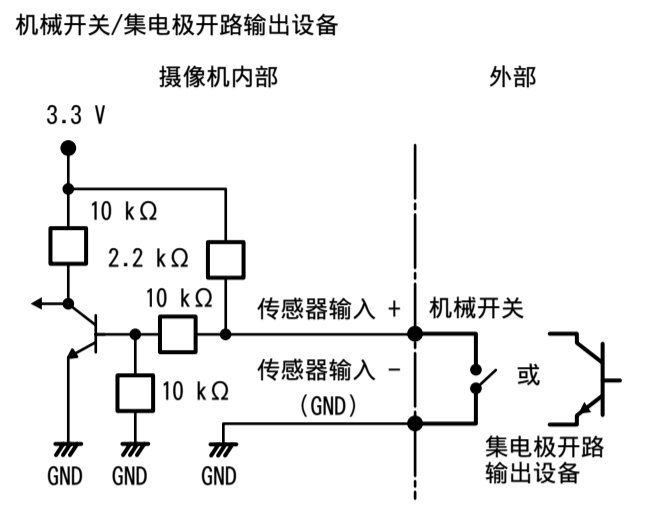
连接

连接到网络

使用网线 (直通, 未附带) 将摄像机的 LAN 接口连接至 PoE* 支持设备 (例如集线器)。
电源由网线提供。有关详情, 请参见 PoE 支持设备的使用说明书。

注意
务必对 SNC-CH110 使用屏蔽型局域网电缆。
(* PoE: Power over Ethernet 的缩写。符合 IEEE 802.3af 标准的设备。)

传感器输入布线图



使用显示器输出

设置显示器输出的视角

- 确保 POWER 指示灯亮起。
- 在系统设置菜单中选择安装选项卡, 然后将显示器输出设置为开。
- 将 AV 电缆连接到显示器输出 [AV 迷你插孔]。
- 调节视角。
- 在系统设置菜单中选择安装选项卡, 然后将显示器输出设置为关。
- 断开 AV 电缆的连接。
◆ 从 PC 改变系统设置。
有关所需设置的详情, 请参阅附带 CD-ROM 中保存的用户指南。

注意

- 当 POWER 指示灯亮起时, 连接 AV 电缆。
- 请注意, 如果显示器输出设置为开, 系统性能可能会受到影响。务必将其设置为关并断开 AV 电缆连接。

使用正面贴片

如果您要将正面标识颠倒 (为了使安装后方向正确), 请使用附带的正面贴片 (带标识)。
如果您要隐藏正面标识, 请使用附带的正面贴片 (不带标识)。
如果想在使用最初的正面贴片后进行改变, 可以将第二张正面贴片覆盖在第一张上面使用。

规格

压缩: JPEG/MPEG4/H.264
视频压缩格式: JPEG/MPEG4/H.264: 30 fps
最大帧频: (1280 × 720)

摄像机
成像元件: SNC-CH110: 1/3.8 型 CMOS
有效像素: 1280000
SNC-CH210: 1/2.8 型 CMOS (Exmor)
有效像素: 约 3270000

最低照度: SNC-CH110: 5.0 lx (AGC (最大)/50 IRE (IP))
SNC-CH210: 2.0 lx (AGC (最大)/50 IRE (IP))

镜头
焦距: SNC-CH110: 2.34 mm
SNC-CH210: 3.3 mm
最大相对光圈: F2.8
视角: SNC-CH110: 水平: 80.7° / 垂直: 63.3° (4:3 模式)
SNC-CH210: 水平: 88° / 垂直: 65° (4:3 模式)

最短物体距离: 0.5 m

接口
LAN (PoE): 10BASE-T/100BASE-TX, 自动协商 RJ-45
传感器输入: 1 端口: 闭合触点和断开触点可切换
显示器输出: NTSC/PAL
1.0 Vp-p, 75 欧姆, 非平衡, 负同步 AV 迷你插孔*
* 在 AV4 端子使用带迷你插头的 AV 电缆。

其他
电源: IEEE802.3af 兼容 (PoE 系统) 1 级
功率消耗: 2.4 W
操作温度: 0°C - 50°C
存放温度: -20°C 至 +60°C
操作湿度: 20% 至 80% (非凝结)
存放湿度: 20% 至 95%
尺寸 (直径 × 长度): ø44 mm × 93 mm

质量: 约 100 克
随机附件: CD-ROM (用户指南和附带程序) (1)
传感器输入电缆 (1)
正面贴片 (带标识) (1)
正面贴片 (不带标识) (1)
使用手册 (本文档) (1)

设计和规格若有变更, 恕不另行通知。

定期检查建议
长时间使用本设备时, 请定期检查本设备以便安全使用。虽然设备似乎没有问题, 但是长时间使用时其组件质量可能已经下降, 从而可能引起故障或事故。
有关详细说明, 请咨询购买商店或授权的 Sony 经销商。