

SECO-LARM®

SM-207-5 / SM-207-5L (3/8" PRESS-FIT MOUNT)

ALARM CIRCUIT:

For closed circuit (CC) systems only.

CONTACT TYPE:

SPST, gold under-plating with DEACTIVATED RHODIUM outer-plating (**SECO-LARM** contacts have a unique RHODIUM plating that have gone through a special oxygen treatment to DEACTIVATE the surface and thus eliminate absorption of organic impurities, polymer growth during operation, as well as the possibility of contact freezing).

SWITCH CYCLES: 50 million.

OPERATION GAP: 3/8 inch (**SM-207-5**).
3/4 inch (**SM-207-5L**).

APPLICATIONS:

Ideal for hollow doors and windows. Makes hidden mounting easy as small enough to be used in narrow door/window frames. For installation on steel doors, windows, and screens, a stronger magnet may be necessary. Contact **SECO-LARM** or your local distributor for more information.

COLORS: White, mahogany brown (specify).

CASE CONSTRUCTION:

Weatherproof, high-impact ABS plastic. Switch is enclosed in a moisture-resistant, corrosion-resistant epoxy compound.

MAGNET: Alnico 5.

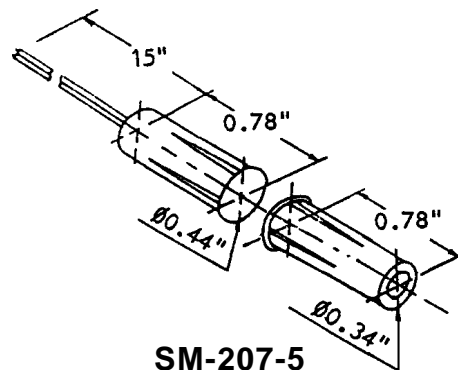
LEADS: Pre-wired 15", #22.

RATING: 0.1Amp./100VDC (max.)
1Amp./10VDC (max.)
10W (max.)

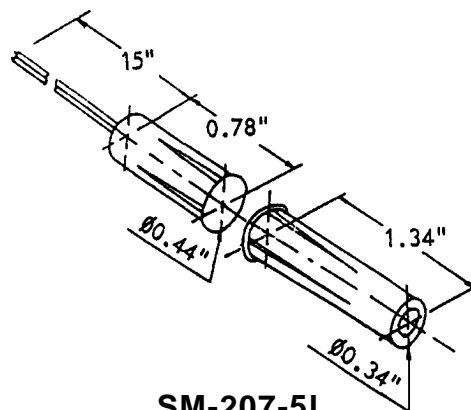
TEMPERATURE: -15°F to 160°F (-25°C to 70°C).

WARNING:

To avoid cracking the internal reed switch please do not use force to pull the wire leads.



SM-207-5



SM-207-5L



PRODUCT INFO. SM-207-5 / SM-207-5L
(3/8" PRESS-FIT MOUNT)