

The Switcher

User's Manual



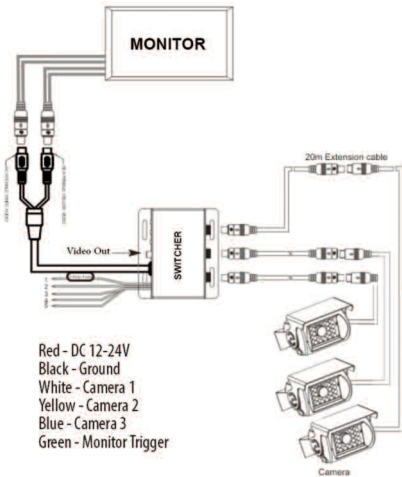
Model # RVS-501N-3

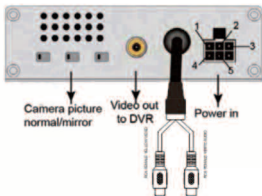
Rear View Safety, Inc. © 2016



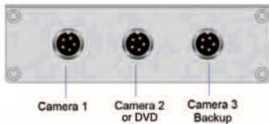
Product Features:

- RCA Connection - can connect with any A/V input
- 3 Camera Inputs
- Trigger Wire for Each Camera
- Mirror/Normal Switch for Each Camera





Pin Number	Description
1	Blue-Camera 3
2	Yellow-Camera 2
3	Red-DC12-24V
4	White-Camera 1
5	Black-Ground
6	Green-Monitor trigger





A Safe Fleet Brand

**If you have any questions
about this product, contact:**

**Rear View Safety, Inc.
1797 Atlantic Avenue
Brooklyn, NY 11233
800.764.1028**

**BETTER CAMERAS. BETTER SERVICE.
IT'S OUR GUARANTEE.**

