

rayMAX 300

ULTIMATE ADAPTIVE ILLUMINATION



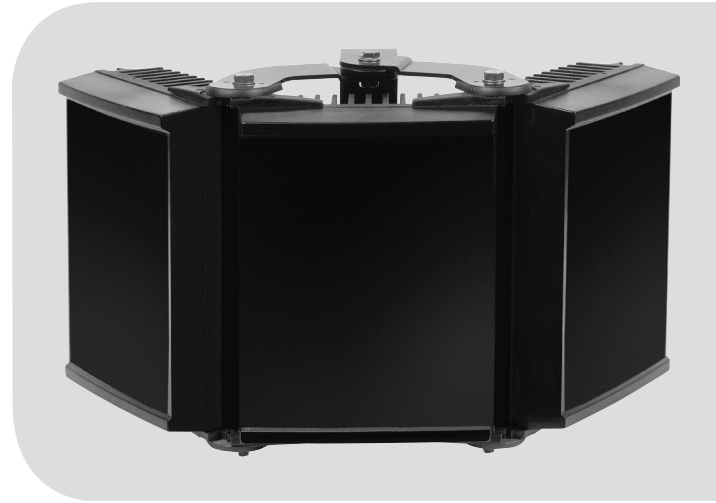
INFRA-RED PRODUCT RANGE

The RM300 is the latest generation of the RAYMAX series, **designed specifically to work in conjunction with fully functional domes.** RM300 provides World class performance, long life and zero maintenance. RM300 incorporates the very latest surface mount LED's to deliver excellent night-time pictures with improved optical output and outstanding reliability.

Ultimate Adaptive Illumination™ provides maximum flexibility to alter the angle of illumination on site to suit specific security needs. RAYMAX illuminators are also purpose designed to provide even output illumination.

Each unit is fitted with Active LED Life Control to carefully control LED output, delivering consistent illumination power and a projected working life of 10 years.

RAYMAX illuminators are supplied with bracket and power supply. Control features on the power supply include adjustable power output, photocell and telemetry control. RAYMAX 300 is suitable for all low light installations up to 370 metres (1,214ft).



POWERFUL

- Distances up to 370m (1,214ft)
- Latest LED technology
- 180° coverage up to 100m (328ft)
- 360° coverage with only 2 units

FLEXIBLE

- Ultimate Adaptive Illumination™
- Various Angles (10° - 180°+)
- Fully Controllable Power Supply

RELIABLE

- 10 year life
- Active LED Life Control
- Vandal Resistant

CONTROLLED

- Zero Light Pollution
- Even Output Illumination
- Semi-Covert (850nm) or Covert (940nm) Options

ULTIMATE ADAPTIVE ILLUMINATION™:

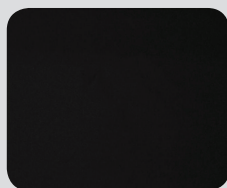


Narrow Angle



Wide Angle

INFRA-RED IN USE:



Infra-Red off



Infra-Red on

Version 3.1

APPLICATIONS





ADAPTIVE ILLUMINATION™

Adaptive Illumination™ allows the installer to adjust the angle of the light projection from a single unit to fit the specific demands of any installation. Adjustment is quick and convenient and any angle up to 180 degrees (depending on model) is easily selectable. Adaptive Illumination is patent pending technology available exclusively from Raytec.



ACTIVE LED LIFE CONTROL

All Raytec illuminators employ cutting edge materials science techniques to improve thermal efficiency throughout the unit and ensure continuity of LED power. The New Advanced Cool Running™ system draws heat away from the LEDs, shielding the LED from abnormal stress, and allows Raytec LED products to deliver outstanding performance and consistency of illumination throughout the operational life of the illuminator.



SMT (Surface Mount Technology)

The future of lighting is surface mount LED technology. Compared to standard through hole LED's, surface mount LED's are a more robust solution increasing reliability and improving product life. They are also far more efficient at the dissipation of heat allowing the LED's to run at higher power and achieve significantly improved performance.



VANDAL RESISTANT

The polycarbonate lens design protects against severe blows from crowbars, baseball bats and can even withstand successive shots from air pistols and rifles (range dependant).



ENERGY SAVING

All Raytec illuminators use high efficiency LED's and advanced control methods to deliver extremely low electrical consumption. Raytec illuminators are energy saving and deliver huge savings in running costs compared to traditional bulb illuminators.



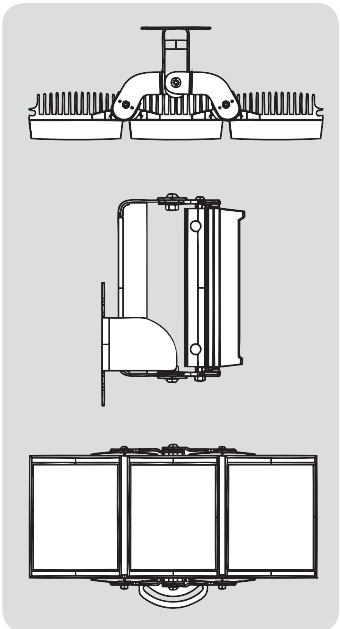
HIGH DEFINITION LIGHTING

High Definition Lighting allows cameras to provide crystal clear, high signal images during the hours of darkness. The breakthrough in HD lighting is made possible with Raytec's high power LED technology delivering increased power on scene.

5 YEAR WARRANTY

All Raytec CCTV illuminators are provided with a 5 year warranty, unmatched anywhere in the CCTV lighting industry. Raytec illuminators provide guaranteed long life!

TECHNICAL SPECIFICATIONS



<p>ILLUMINATOR</p> <p><i>Max Distance:</i> up to 370m (1,214ft)</p> <p><i>Angle:</i> Various - See Part Codes</p> <p><i>Optics:</i> SMT LED's</p> <p><i>Consumption:</i> 120W max</p> <p><i>Voltage:</i> 13.5V current controlled</p> <p><i>Weight:</i> 6kg (13.2lbs)</p> <p><i>Environmental:</i> IP66</p> <p><i>Temp Range:</i> -50 to +50°C (-58 to 122°F)</p> <p><i>Cable Length:</i> 2.5m</p> <p><i>Colour:</i> Black</p> <p><i>Wavelength:</i> 850 or 940nm</p> <p><i>Dimensions:</i> 420 x 195 x 66mm 16" x 8" x 3" approx</p>	<p>POWER SUPPLY</p> <p><i>Input:</i> Universal 100-240V AC auto-sensing</p> <p><i>Output:</i> 120W max</p> <p><i>Temperature:</i> -50 to +50°C (-58 to 122°F)</p> <p><i>Weight:</i> 2.4kg (5.3lbs)</p> <p><i>Dimensions:</i> 240mm x 160mm x 81mm 9" x 6" x 3" approx</p> <p>Standard PSU (included) Adjustable photocell Adjustable power output for IR Telemetry Control</p> <p>Premium PSU (add ~PR to part code) Includes all of the features of the standard PSU, PLUS: Photocell following contact for switching of dual mode cameras 12V dc output to power cameras</p> <p>Pulsed PSU (add ~PU to part code) For pulsing Raytec lights and synchronising with cameras. Power Adjustment Video In and Video Out connections to sync light and camera, 12V dc output to power cameras</p>	
<p>BRACKETRY</p> <p>U Bracket and Adaptive Illumination bracket included.</p>		

PART CODES & DISTANCES		NARROW ANGLE	WIDE ANGLE
RM300-AI-10	RAYMAX 300, 10-30 degree	AI, 850nm + PSU 370m (1,214ft)	220m (722ft)
RM300-AI-30	RAYMAX 300, 30-90 degree	AI, 850nm + PSU 200m (656ft)	120m (394ft)
RM300-AI-50	RAYMAX 300, 50-180 degree	AI, 850nm + PSU 140m (460ft)	100m (328ft)
RM300-AI-120	RAYMAX 300, 120-180+ degree	AI, 850nm + PSU 80m (262ft)	50m (164ft)
RM300-AI-10-C	RAYMAX 300, 10-30 degree	AI, 940nm + PSU	Contact Raytec
RM300-AI-30-C	RAYMAX 300, 30-90 degree	AI, 940nm + PSU	Contact Raytec
RM300-AI-50-C	RAYMAX 300, 50-180 degree	AI, 940nm + PSU	Contact Raytec
RM300-AI-120-C	RAYMAX 300, 120-180+ degree	AI, 940nm + PSU	Contact Raytec