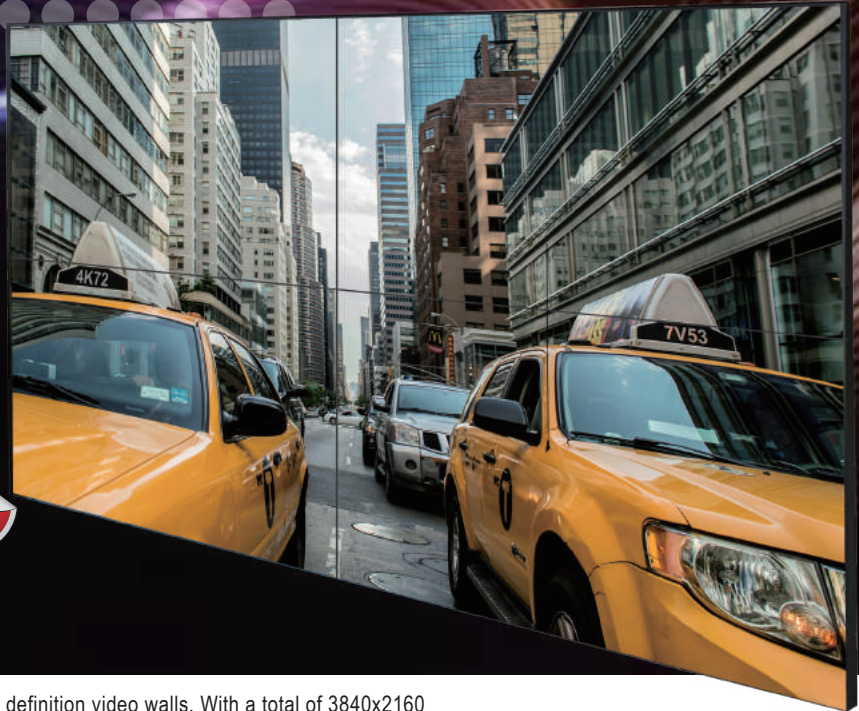


# 4K VIDEO WALL SOLUTIONS

OIC Korea R4N (FHD) Video Wall series has Immediate Benefits for Security Room, Retail, Shopping Mall, Corporation, Broadcast, Transportation, Government, Health Care, Casino and more

# LED

# IN55ENFL



The R4N (FHD) Series of LCD displays is the perfect solution for ultra high definition video walls. With a total of 3840x2160 (based on 2 x 2 configuration) and the ability to take a single video source and display it across the entire video wall. It is an excellent choice for command & control centers, corporate, AV and digital signage applications.

<b>0.9mm 0.9mm</b> Bezel Width	<b>4K</b> Input Resolution	<b>500 cd/m<sup>2</sup></b> Max Brightness	 Mobile App	<b>HDMI</b> HDMI Input 3ea	 DP Input / Output	 DVI Input	 VGA Input	 RS-232 Input/Output
---------------------------------------	-------------------------------	---	----------------	-------------------------------	-----------------------	---------------	---------------	-------------------------

## Video Walls for Security, Control Rooms, Commercial AV, Professional AV & has immediate benefits for:

In addition, this solution can also be used for corporate AV and Digital Signage applications such as shopping malls, airports, stadiums, lobby signage, boardrooms, and more. Whether small lobby display or extra large video walls, the tiled R4N series makes statement. Public Display Signage receives 10 times the eye contact of static signage and is creating cost-effective opportunities to improve customer service, safety, way finding, branding, training, and communications.

Unlike plasma technology, LCD video walls require less power consumption and with auto pixel shift built in they are not subject to permanent, irreversible burn-in. Unlike individual mount LCD's that leave gaps between each monitor, tiled video walls offer more flexibility, scalability and the possibility for a higher resolution.

### EXTRA NARROW BEZEL

ENFL / EHFL : Top & Left Side Bezel is 0.9mm, Bottom & Right Side Bezel is 0.9mm

- » Security / Control Rooms
- » Retail
- » Universities & colleges
- » Corporations
- » Transportation
- » Health Care & Medical
- » Government
- » Financial Institutions
- » Hospitality
- » Casino

### Realizing 4K resolution with Daisy chain configuration

Daisy chain connection with DP source Full HD video wall monitors can accept 4K input source with DP port and display 4K UHD through Daisy chain connection.

**4K UHD**  
3840x2160p

**DP Daisy Chain**

**INPUT PORT**

- HDMI
- DP
- DVI
- VGA

## SPECIFICATIONS

R4N55ENFL	
<b>Bezel Width</b>	
Bezel Width	0.9mm/0.9mm
<b>Display</b>	
Screen Size	55 Inch
Max. Resolution	1920 x 1080 @ 60Hz
Pixel Pitch	0.630 x 0.630mm
Brightness	500cd/m <sup>2</sup>
Contrast Ratio	1200 : 1
Aspect Ratio	16 : 9
Viewing Angle	178° / 178°
Display Color	16.7 Million (8bit)
Response Time	< 8ms (Gray to Gray)
Video System	NTSC / PAL
<b>Interface</b>	
Display Port In / Out	1 / 1
HDMI Input	3
DVI In	1
VGA In	1
RS232 In / Out	1 / 1
Audio Out (3.5 Ø stereo)	1
<b>Features</b>	
Multi Display Function	PBP / PIP / QUAD
Temperature Sensor	Yes (Option)
De-Interlace	Yes
Noise Reduction	Yes
Auto Fan Control System	Yes (Option)
Auto Pixel Shift	Yes
Auto Source Switching	Yes
Edge Setting (Horizontal / Vertical)	Yes
Advance Auto Power Recovery	Yes
Multi Language	English
RS-232C Control	Monitor OSD control using PC
<b>Outline Dimension</b>	
Dimension (W x H x D)	1211.4 x 682.2 x 86.8 (47.69" x 26.86" x 3.42")
Net. Weight	26.0 KG (57.32 lbs)
<b>Circumstance</b>	
Operating Temperature	0° ~ 40° C / 32° ~ 104° F
<b>Power</b>	
Electrical Ratings	AC 100 ~ 240V (50/60Hz)
Power Consumption	< 167W
<b>Mount</b>	
VESA™ Mount Size	600 x 400mm
Video Wall	WFS, WES, WSD, WSR
Stand Alone	WB-4663

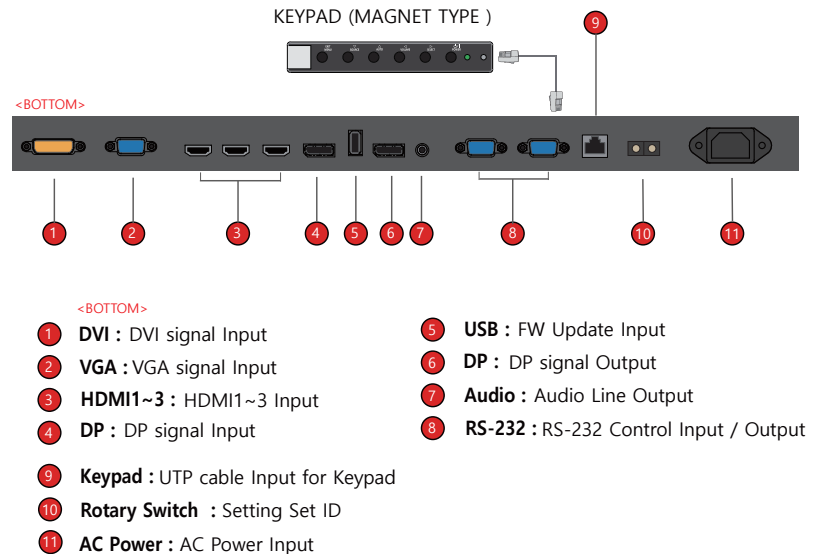
※ Specifications and design are subject to change without notice.

## HARDWARE

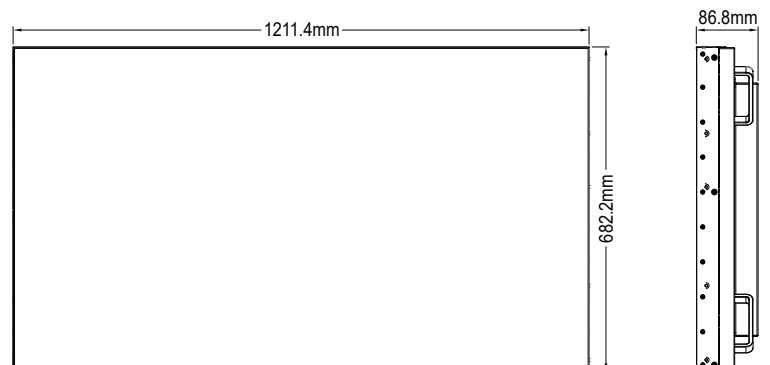
### Hardware features:

- » Spread 1 image across multiple monitors using 1 video source
- » Video Wall Processor built in
- » Remote Display Management (IR Remote or Mobile WIFI)
- » Display Port 1 In / 1 Out
- » HDMI 3 In / VGA In / DVI In
- » RS-232C In / Out for pc / server control
- » Control panel Lock (panel or IR)
- » All metal chassis
- » Auto power recovery
- » Auto pixel shift
- » PIP / PBP / QUAD Displays
- » VESA standard hole patterns

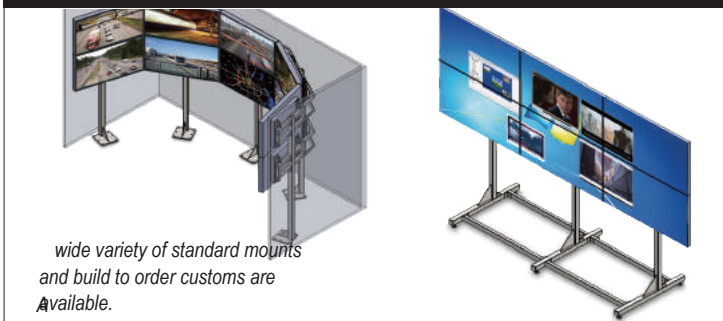
## INTERFACE



## DIMENSION



### COMPLETE VIDEO WALL SOLUTIONS / Customize Mount and Multiviewer System



\*Design and specifications are subject to change without notice