

# PT570P/PT570-24P Pan/Tilt

## OUTDOOR, MEDIUM DUTY

### Product Features

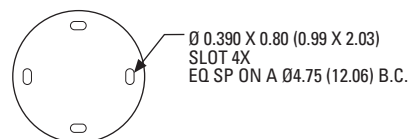
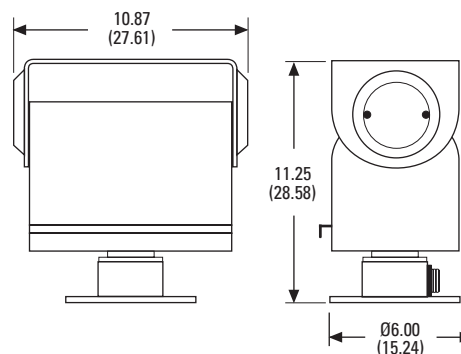
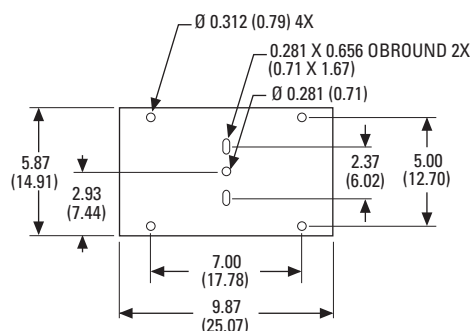
- Easily Serviced
- Inverted Operation
- External Limit Stops
- Outdoor Applications
- Adjustable Worm-Gear Final Drive
- 120 VAC or 24 VAC Operation
- Capable of Auto/Random Scan Operation when Used with Appropriate Control
- Maximum Load 40 lb (18.14 kg)



The **PT570P** and the **PT570-24P** are medium duty outdoor pan/tilts capable of handling loads up to 40 pounds (18.14 kg). Both units feature rugged worm-gear final drives to minimize backlash and prevent wind drift. The drives are fully adjustable for wear.

Control voltages are 120 VAC for the **PT570P** and 24 VAC for the **PT570-24P**. Construction is of aluminum, and the units are completely sealed for all-weather use. The **PT570P** and **PT570-24P** are recommended for use with our EH4700 Series environmental enclosures.

An optional factory installed heater is available to allow operation to  $-50^{\circ}\text{F}$  ( $-45^{\circ}\text{C}$ ).



NOTE: VALUES IN PARENTHESES ARE CENTIMETERS; ALL OTHERS ARE INCHES.



by Schneider Electric

International Standards  
Organization Registered Firm;  
ISO 9001 Quality System



C330 / REVISED 10-27-10

# TECHNICAL SPECIFICATIONS

## MODELS

PT570P	Medium duty pan/tilt, 120 VAC
PT570P/PP	Medium duty pan/tilt with presets, 120 VAC
PT570-24P	Medium duty pan/tilt, 24 VAC
PT570-24P/PP	Medium duty pan/tilt with presets, 24 VAC

## ELECTRICAL

Input Voltage	
PT570P, PT570P/PP	120 VAC, 50/60 Hz
PT570-24P, PT570-24P/PP	24 VAC, 50/60 Hz
Pan/Tilt Power Requirements	
PT570P, PT570P/PP	
Running	0.18 A (21.6 VA)
Starting	0.27 A (32.4 VA)
PT570-24P, PT570-24P/PP	
Running	0.9 A (21.6 VA)
Starting	1.35 A (32.4 VA)
Connectors	AMP CPC type (mate supplied)
Motors	Two-phase induction type, instantaneous reversing
Limit Switches	5 A each (pan and tilt); external adjustment
Conductor Requirements	6 or 7, unshielded (functions: left, right, up, down, motor common, safety ground); no additional conductors for auto scan when used with solid-state control; PP option requires 4 additional conductors; HB option requires 2 additional conductors

### Maximum Operating Distances\*

	Cable Size	Maximum Distance
PT570P and PT570P/PP	6 Conductors	
	20 AWG (0.5mm <sup>2</sup> )	1,045 ft (319 m)
	18 AWG (1.0mm <sup>2</sup> )	1,665 ft (507 m)
	16 AWG (1.5mm <sup>2</sup> )	2,640 ft (805 m)
7 Conductors <sup>†</sup>	20 AWG (0.5mm <sup>2</sup> )	2,080 ft (634 m)
	18 AWG (1.0mm <sup>2</sup> )	3,330 ft (1,015 m)
	16 AWG (1.5mm <sup>2</sup> )	5,285 ft (1,611 m)
PT570-24P and PT570-24P/PP	6 Conductors	
	20 AWG (0.5mm <sup>2</sup> )	40 ft (12 m)
	18 AWG (1.0mm <sup>2</sup> )	65 ft (20 m)
	16 AWG (1.5mm <sup>2</sup> )	110 ft (34 m)
7 Conductors <sup>†</sup>	20 AWG (0.5mm <sup>2</sup> )	85 ft (26 m)
	18 AWG (1.0mm <sup>2</sup> )	135 ft (41 m)
	16 AWG (1.5mm <sup>2</sup> )	220 ft (67 m)

\*Distances are calculated with both motors (pan and tilt) running and assuming a 10% voltage drop.

<sup>†</sup> Using 2-wire motor common.

## MECHANICAL

Pan	0 to 355° movement in horizontal plane
Speed	6°/sec ±1°
Torque	10 ft-lb with specified voltage
Tilt	±90° movement in vertical plane
Speed	3°/sec ±0.5°
Torque	20 ft-lb with specified voltage
Maximum Load	40 lb (18.1418.14 kg) at 5 inches (12.7 cm) from tilt table surface to center of gravity
Gearing	Adjustable worm-gear final drive to prevent drift and minimize backlash
Bearings	
Pan	Heavy-duty ball bearings
Tilt	Oilite bronze bushing
Braking	Mechanical friction-type
Duty Cycle	50% duty cycle; 30 minute rating

## GENERAL

Construction	Aluminum plate; all internal parts corrosion protected
Finish	Gray polyester powder coat
Environment	Outdoor; -10° to 120°F (-23° to 49°C)
Unit Weight	22 lb (9.9 kg)
Shipping Weight	25 lb (11.5 kg)

## CERTIFICATIONS/RATINGS

- CE, Class B (PT570-24P, PT570-24P/PP)
- UL Listed
- Meets NEMA Type 3R standards

## OPTIONAL ACCESSORY

HB/570	Blanket heater in cover, 75 W; allows operation to -50°F (-45°C); 120 VAC, 50/60 Hz (factory installed option)
--------	--

## RECOMMENDED CONTROLS

Coaxitron® or Matrix	Refer to individual specification sheets for information
MPT24DT	Desktop control for 24 VAC pan/tilt
MPTAZ Series	Desktop pan/tilt and zoom lens control with auto/random scan

## RECOMMENDED ENCLOSURE

EH4700 Series	Environmental enclosure
---------------	-------------------------

## RECOMMENDED MOUNTS

PA2000	Adapter plate; required when using WM2000
PM2000, PM2010	Ceiling/pedestal mount; maximum load 125 lb (56.7 kg)
ST1	Support strut; use with WM2000/PM2000/PM2010
WM2000	Wall mount; maximum load 75 lb (34 kg)

### Pelco, Inc. Worldwide Headquarters:

3500 Pelco Way, Clovis, California 93612-5699 USA

**USA & Canada** Tel: (800) 289-9100 • FAX: (800) 289-9150

**International** Tel: +1 (559) 292-1981 • FAX: +1 (559) 348-1120

[www.pelco.com](http://www.pelco.com)

Pelco, the Pelco logo, and other trademarks associated with Pelco products referred to in this publication are trademarks of Pelco, Inc. or its affiliates. All other product names and services are the property of their respective companies. Product specifications and availability are subject to change without notice.

©Copyright 2010, Pelco, Inc. All rights reserved.