



# PD4ULCB

## UL Listed Sub-Assembly Power Distribution Module

### Overview:

PD4ULCB is a UL Listed Sub-Assembly power distribution module designed to convert a single AC or DC input into four (4) PTC protected Class 2 Rated power-limited outputs.

### Specifications:

#### Agency Listings:

- UL Listed Sub-Assembly for Access Control System Units (UL 294), Power Supplies for Fire Protective Signaling Systems (UL 1481), and Power Supplies for Use with Burglar Alarm Systems (UL 603).
- cUL Listed: General Signaling Equipment Evaluated to CSA Standard C22.2 No.205-M1983. Power Supplies for Burglar Alarm Systems ULC-5318-96.



#### Input:

- 12VDC or 24VDC, up to 10A.
- 24VAC or 28VAC, up to 12A.

#### Outputs:

- Four (4) individually PTC protected outputs @ 2A per output max. current (total output current should not exceed max. current rating of power supply employed).

#### PTC Ratings:

- PTCs are rated @ 2A/250V.

#### Visual Indicators:

- Power On green LED indicator.

#### Board Dimensions (W x L x H approximate):

3.25" x 5.25" x 1" (82.55mm x 133.35mm x 25.4mm).

### Installation Instructions:

Wiring methods shall be in accordance with the National Electrical Code/NFPA 70/NFPA 72/ANSI, and with all local codes and authorities having jurisdiction. Product is intended for indoor use only and should be installed by qualified personnel.

1. Refer to Sub-Assembly Installation Instruction for mounting Rev. MS050913.
2. Connect the desired power supply output to the terminals marked [INPUT] (Fig. 1).  
**Note:** Left terminal is NEG. (-) and right terminal is POS. (+) (Fig. 1).
3. Measure output voltage before connecting devices. This helps avoiding potential damage.
4. Connect devices to be powered to the terminal pairs 1 to 4, marked [1P - 1N] through [4P - 4N]. All terminals with common suffix P "1P, 2P..." are same polarity.

**Note:** This product is a UL Listed Sub-Assembly for use with Altronix UL Listed power supplies as indicated in the installation manuals for the power supply.

**Note: DC outputs are power-limited.**

**Caution: Do not expose to rain or moisture.**

- (#P) Positive DC outputs
- (#N) Negative DC outputs

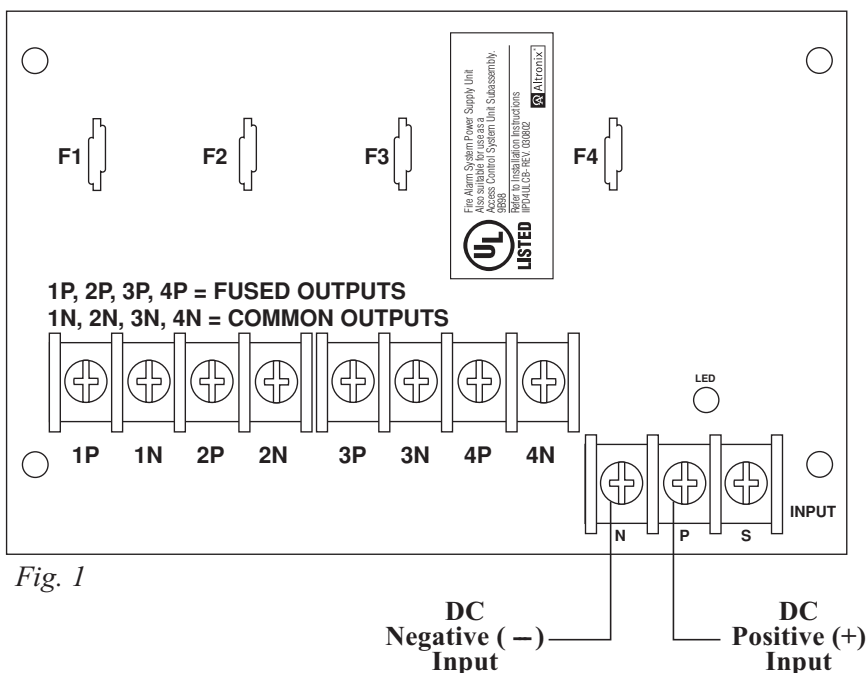


Fig. 1

Altronix is not responsible for any typographical errors.

