

2 Megapixel Bullet Network Camera

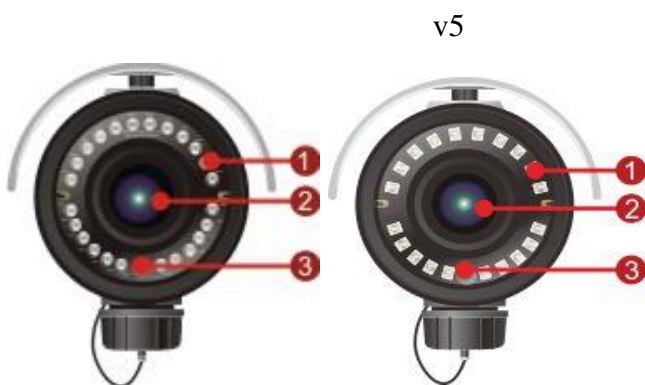
OB-200Ap Series

HDTV 1080p/720p • 2M Resolution Supported



- Most Intelligent and Professional 2M Outdoor Bullet Camera
- HDTV Quality (Full HD 1080p @ 30fps Streaming)
- **Intelligent Multi-Profile Sensor Management®** for Different Environments
- Removable IR-cut Filter /Auto Light Sensor for Day and Night
- IP67 Outdoor Enclosure Built-in Fan (-40°C ~ 60°C) and Heater
- **SmartFocus®** to Ease the Zoom and Focus Adjustment Remotely (*)
*The feature is for OB-200Ap/OB-200ApV5 *
- **FocusEasy™** to Ease the Focus Adjustment via the Buzzer for notification (*)
*The feature is for OB-202ApV5 *
- Built-in 3G module and SIM slot for Wireless Connectivity (*)
*The feature is for GOB-200Ap/ GOB-200ApV5 *
- Built-in IR Illuminators, effective up to 25 Meters
- Two-way Audio/Built-in Micro SD/SDHC Memory Card Slot for Local Storage
- 1 DI/DO for External Alarm and Sensor Device
- PoE(802.3at) / PoE(802.3af)/ DC12V(*)/ AC24V(*) Supported
(*V5 only)

Photo Indication & Dimension Diagram



v5

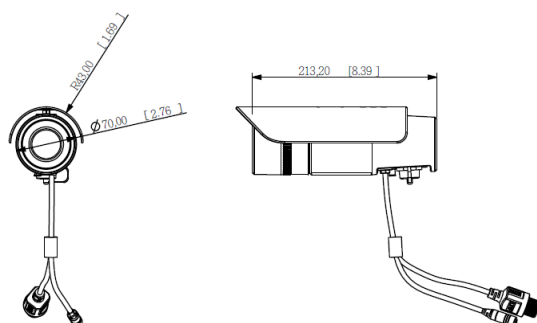


ONVIF

*GOB-200Ap *WOB-200Ap
GOB-200ApV5 WOB-200ApV5

- 1 IR LED
- 2 LENS
- 3 Light Sensor
- 4 RJ45 Connector 1 (For Ethernet, 802.3at PoE and 802.3af PoE)
- 5 DC12V/ AC24V Connector (*)
- 6 Antenna Connector
- 7 RJ45 Connector 2 (For Audio in/out, RS485, DI/DO)

(*) V5 only



Camera	
Models	OB-200Ap/OB-200Ap V5: 2M, Motorized Lens OB-202Ap/OB-202Ap V5: 2M, Vari-Focal Lens WOB-200Ap/WOB-200Ap V5: 2M, Motorized Lens, Wireless GOB-200Ap/GOB-200Ap V5: 2M, Motorized Lens, 3G
Hardware System	CPU: 533 MHz Flash: 32M RAM: 256M DDR
Image Sensor	Sensor Type : 1/2.5" CMOS Sensor Sensor Resolution : 1920 x 1080 pixel
Lens	Lens Type: Board Lens Iris: F1.4 OB/WOB/GOB-200Ap : Focal Length: f=3~10.5mm View Angle: Normal: (H): 69°~24°/ (V): 41°~14°/ (D): 79°~28° Ultra Wide: (H): 108°~35°/ (V): 55°~19°/ (D): 119°~40° OB-202Ap /OB-202Ap V5/ OB/WOB/GOB-200Ap V5: Focal Length: f=3.3~10.5mm View Angle: Normal: (H): 64°~24°/ (V): 36°~14°/ (D): 74°~28° Ultra Wide: (H): 106°~33°/ (V): 57°~18°/ (D): 120°~38°
Local Storage	Built-in Micro SD/SDHC/SDXC Max.64G Memory Card Slot
Day & Night ICR	Triggered by Light sensor, Scheduling, Digital Input
IR Illuminators	Built -In IR Illuminators, OB/WOB/GOB-200Ap & OB-202Ap: effective up to 15 meters IR LED: 24pcs OB/WOB/GOB-200Ap V5 & OB-202Ap V5: effective up to 25 meters IR LED: 20pcs
Minimum Illumination	OB/WOB/GOB-200Ap Series: 0 Lux(IR ON,B/W) 0.01 Lux (IR OFF, B/W) 0.008 Lux(F1.4,Color) OB-202Ap /OB-202Ap V5/ OB/WOB/GOB-200Ap V5: Vari-Focal-Lens 0 Lux(IR ON,B/W) 0.01 Lux (IR OFF, B/W) 0.02 Lux(F1.4,Color)
Video	
Compression Streaming	H.264 / MPEG4 / MJPEG Simultaneous multiple streams
Video Setting	Multi-Profile Image Management: Day/ Night/ Sunset/ User 1/ User 2 Auto Exposure/ Gain/ White Balance Control Manual Exposure Control: 1/20000~1/5s Manual Gain Control: 1X ~ 32X Manual White Balance Control:2000K~7000K
S/N Ratio	38.1dB
Image Resolution	2M (Full HD): 1920x1080 @ 30fps 1M (HDTV): 1280x720 @ 30fps
Events and Alarm Management	
Events	Motion Detection/ Schedule/ Audio Detection/ Digital Input/ Temperature Alarm(*)/ Auto Focus Shift for Day & Night(**) *OB-200Ap V5/OB-202Ap V5 Only **OB-200Ap V5 Only
Alarm	Stream/Snapshot to FTP/Email/Samba/SD-Card HTTP/Email Notification/ Digital Output
Audio	
Audio Streaming	2-way Audio Support
Audio Compression	G.711, AMR (8 kHz, Mono, PCM)
Audio Input/ Output	Line input (Unbalanced, 1.4 Vp-p, 1 Vrms) / Line output
General	
Communication	Ethernet : one 10/100Mbps RJ-45 IEEE 802.11a/b/g/n compliance WOB-200Ap/WOB-200Ap V5 HSUPA/UMTS 850/1900/2100 GOB-200A/GOB-200Ap V5 Supported Protocols : TCP/IP, UDP, ICMP, DHCP, NTP, DNS, DDNS, SMTP, FTP, HTTP, Samba, PPPoE, UPnP, RTP, RTSP, RTCP, IPv6
Power Input	DC12V 1A / 802.3af PoE 802.3at PoE/ DC48V 0.8A AV24V
Power Input/ Temperature/ Environment	Operating Temperature: DC12V 1A / 802.3af PoE: -20°C ~ 60°C (-4°F ~140°F) 802.3at PoE/ DC48V 0.8A: (build in fan and heater): -40°C ~ 60°C (-40°F ~140°F) Operating Humidity: 10% ~ 80%
Max. Power Consumption	OB-200Ap/WOB-200Ap/GOB-200Ap & OB-200Ap V5/WOB-200Ap V5/GOB-200Ap V5 8.6 Watts (PoE 802.3af, IR on) 8.4 watts (PoE 802.3at, IR on) 16.3 Watts (PoE 802.3at, IR&Heater&Fan on) OB-202Ap & OB-202Ap V5 8.6 Watts (PoE 802.3af, IR on) 8.4 Watts (PoE 802.3at, IR on) 16.3 Watts (PoE 802.3at, IR&Heater&Fan on)
Dimension	70(D) * 166(H) mm
Weight	OB-200Ap/OB-202Ap & OB-200Ap V5/OB-202Ap V5 Net: 1100 g/2.43lb W/GOB-200Ap & W/GOB-200Ap V5 Net: 1150 g/2.54lb
Housing	Weather-proof (IP67)
Certification	FCC, CE
Viewing System Requirements	OS: Microsoft Windows 7/Vista/XP/2000 Browser: Mozilla Firefox, Internet Explorer 6/7 or above, Safari, Google Chrome Cell Phone: 3GPP player Real Player: 10.5 or above Quick Time: 6.6 or above VLC
Warranty	Limited 2-year warranty

OB-200A Series	OB-200Ap	WOB-200Ap	GOB-200Ap	OB-202Ap
Lens Type	Motorized-Lens (SmartFocus®)	Motorized-Lens (SmartFocus®)	Motorized-Lens (SmartFocus®)	Vari-Focal-Lens
Wireless (11a/b/g/n dual band WiFi)	-	✓	-	-
3G/ 4G(WiMAX/LTE)	-	-	✓	-
Operating Temperature; Max. Power Consumption	-20°C ~ 60°C ; 10 Watts (DC12V 1A / 802.3af) -40°C ~ 60°C; 22 Watts(DC48V 0.8A/PoE 802.3at)		-20°C ~ 60°C; 8 Watts (DC12V 1A / 802.3af) -40°C ~ 60°C;20 Watts(DC48V 0.8A/PoE 802.3at)	

OB-200A Series	OB-200Ap V5	WOB-200Ap V5	GOB-200Ap V5	OB-202Ap V5
Lens Type	Motorized-Lens (SmartFocus®)	Motorized-Lens (SmartFocus®)	Motorized-Lens (SmartFocus®)	Vari-Focal-Lens (FocusEasy™)
Wireless (11a/b/g/n dual band WiFi)	-	✓	-	-
3G/ 4G(WiMAX/LTE)	-	-	✓	-
Operating Temperature; Max. Power Consumption	-20°C ~ 60°C ; 10 Watts (DC12V 1A / 802.3af) -40°C ~ 60°C; 22 Watts(DC48V 0.8A/PoE 802.3at)		-20°C ~ 60°C; 8 Watts (DC12V 1A / 802.3af) -40°C ~ 60°C;20 Watts(DC48V 0.8A/PoE 802.3at)	

Work Best With

Camera Accessories Options



CI-812
Camera Bracket



GEM04-222008A
Wi-Fi Dual Band Omni Antenna



GEM07-15072A
3G Antenna

Network Equipment Options



GEM04-222060
Wi-Fi Dual Band Antenna



POE30U
High Power PoE Injector

Copyright© 2012 Brickcom Corporation. All rights reserved. All other company names and products are trademarks or registered trademarks of their respective companies. We reserve the right to introduce modifications without notice.

Brickcom
info@brickcom.com