

NetWaySP4PX

4-port Media Converter with Integral Power Supply/Charger

For Composite Fiber (Powered) Cable Application

Description

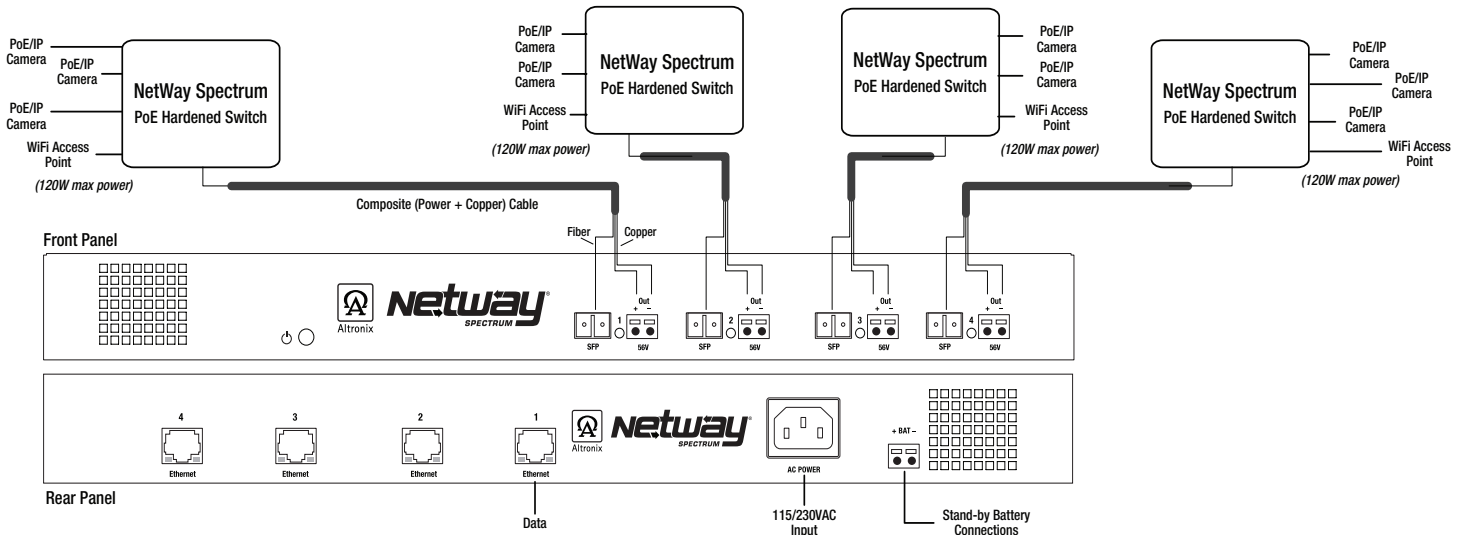
Altronix NetWaySP4PX provides four (4) 1Gb SFP ports and four (4) power outputs (480W total power) to be transmitted over single, multi-mode fiber as well as composite cable (fiber + copper combined) to NetWay Spectrum PoE hardened switches.



Key Features

- IEEE 802.3af, 802.3at and 802.3bt compliant.
- Four (4) 1Gb SFP ports.
- 120W max per port (480W total power)
- PoE activity and power LED indicators.
- Built-in charger for sealed lead acid or gel type batteries.
- Automatic switchover to stand-by battery when AC fails.
- 1U rack mount chassis
- CE Approved.

Typical Application



Lifetime Warranty / Made in the U.S.A.

Altronix Corporation | 140 58th St | Brooklyn, NY 11220 USA

phone: +1 718.567.8181 | fax: +1 718.567.9056 | email: info@altronix.com | www.altronix.com

NetWaySP4PX

4-port Media Converter with Integral Power Supply/Charger For Composite Fiber (Powered) Cable Application

Specifications

Input

Voltage 115VAC, 60Hz, 5.5A or 230VAC, 50/60Hz, 3A (auto-ranging)

Output

Four (4) power outputs with 480W total power.
120W max per output
IEEE 802.3af, 802.3at and 802.3bt compliant.
Integral surge protection.

SFP Ports:

Four (4) 1Gb SFP ports.

Ethernet:

Four (4) 1Gb (RJ45) Ethernet/Data ports.
Wire type: 4-pair CAT5e and higher.
Connectivity: RJ45, auto-crossover.
Speed: 10/100/1000Mbps.
Distance: up to 100m.

Indicators (LED)

Individual Power LEDs for each port.
Individual IP Link status, 10/100 Base-T/active LEDs for each Ethernet port.

Back-up Battery

Type Sealed lead acid or gel type.
Failover Upon AC loss, instantaneous.

Agency Listings

CE European Conformity.

Physical and Environmental

Dimensions (W x L x H)
1.625" x 19.125" x 8.5" (41.3mm x 486mm x 216mm).

Product Weight / Shipping (approx.)

Product Weight: 3.81 lbs. (1.72 kg).

Shipping Weight: 6.0 lbs. (2.72 kg).

Temperature

Operating (120W): -40°C to 50°C (-40°F to 122°F).

Storage: -40°C to 85°C (-40°F to 185°F).

Relative Humidity: 85% +/-5%.

Operating Altitude: -304.8 to 2,000m.

BTU/Hr (approx.): 123 BTU/Hr.

PoE Switches and Accessories (order separately)



NetWay4EWPN

Outdoor Hardened Switches

- NetWaySP1BTWPN 3-PoE (802.3bt) ports, single SFP port
- NetWaySP3WPN 3-PoE ports, single SFP port
- NetWay4EWPN 4-PoE ports, single SFP port
- NetWaySP4WPN 4-PoE ports, 2-SFP ports
- NetWaySP4BTWPN 4-PoE (802.3bt) ports, 2-SFP ports
- NetWaySP8WPN 8-PoE ports, 2-SFP ports

Media Converter/Injectors

- NetWaySP1BT 2-PoE (802.3bt) ports, single SFP port
- NetWaySP1P Single PoE port, single SFP port
- NetWaySP2P 2-PoE ports, single SFP port



RE2 - Rack Mount Battery Enclosure
accommodates up to four (4) 12VDC/7AH batteries

SFP Modules - Hot pluggable Transceivers

- P1MM** Multi-Mode SFP Module for distances up to 550m.
- P1SM10** Single-Mode SFP Module for distances up to 10km.
- P1AB2K** Single Strand SFP Module for distances up to 2km.
- P1GCE** Copper SFP Module for distances up to 100m.



Lifetime Warranty / Made in the U.S.A.