



Single Channel Digital Video Transmission System With Bi-Directional Audio and Two Multi-Protocol Data Channels

**91P558
SERIES**
**MULTIMODE
SINGLEMODE**



FEATURES:

- Compatible with NTSC; RS-170A & RS-343A, PAL, and SECAM
- 10 Bit Digital Video Transmission
- Diagnostics: Video, DC Power, Audio Activity, Data Activity, Digital Frame Sync, and Optical Presence
- Serial Digital Transmission
- Switch Selectable Terminations
- Available with Enhanced "Afinety" Intelligent Monitoring System

SPECIFICATIONS:

Video:

I/O Level	1 Vpp
I/O Impedance	75 Ohms
Bandwidth	7 MHz
Differential Gain	2%
Differential Phase.....	0.7 °
SNR	65 dB
Connector	BNC

Data:

Choice of: RS485 (2 or 4 Wire), RS422, RS232, or Manchester/Bosch

Format.....	Asynchronous
Data Rate	DC to 115Kbit/s
Connector	Terminal Block

Audio:

I/O Level @ 600 Ohms:	0 dBm (typ)
I/O Level @ 600 Ohms:	14 dBm (max)
Bandwidth	20 Hz to 20 KHz
THD @ 1 KHz	0.03%
SNR	95 dB @ 14 dBm
Connector	Terminal Block

Optical (91P558 Series):

Wavelength	1310/1550 nm
Loss Budget (62.5/125µ).....	12 dB
Maximum Transmission Distance	4 Km
Connector	ST

Optical (91P558SL Series):

Wavelength	1310/1550 nm
Loss Budget (9/125µ):.....	21 dB
Connector	FC/PC

Temperature (Operating):

-40°C to +75°C, non-condensing

Power Supply:

Module - 12 VDC (AFI Part #: PS-12D)
Rack Card (See AFI Part #: SR-20D/2)

Size:

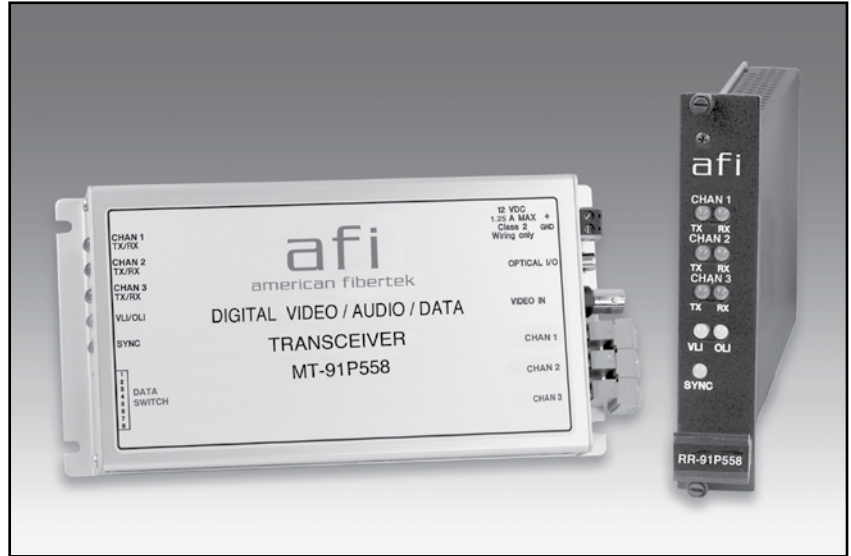
Module - 8 1/8" x 4 1/8" x 1 1/8"
Rack Card - 6 1/2" x 1" x 5"

MULTIMODE ORDERING INFORMATION:

MT-91P558 = Module Transmitter
RT-91P558 = Rack Card Transmitter
MR-91P558 = Module Receiver
RR-91P558 = Rack Card Receiver

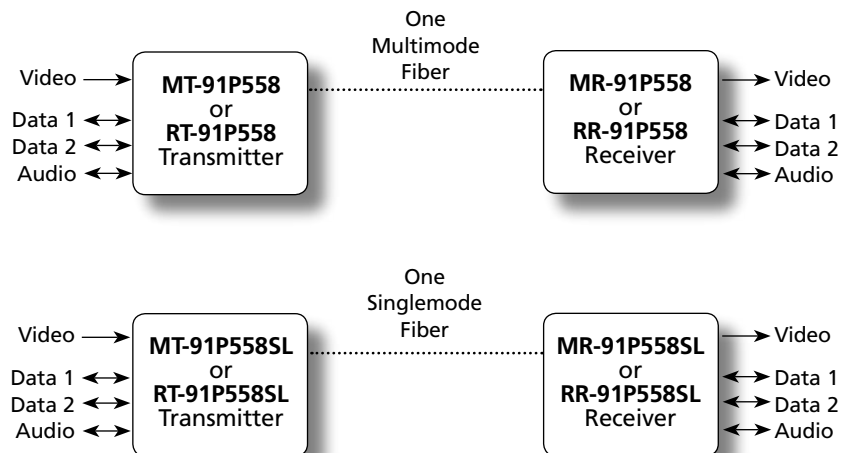
SINGLEMODE ORDERING INFORMATION:

MT-91P558SL = Module Transmitter
RT-91P558SL = Rack Card Transmitter
MR-91P558SL = Module Receiver
RR-91P558SL = Rack Card Receiver



The American Fibertek 91P558 Series transmits one channel of high-quality, 10 bit digitized video along with two channels of Multi-Protocol data and one channel of bi-directional audio on one multimode optical fiber. The 91P558SL Series transmits one channel of high-quality, 10 bit digitized video along with two channels of Multi-Protocol data and one channel of bi-directional audio on one singlemode optical fiber. Available data formats are switch selectable and include: RS422, RS485 (2 or 4 wire), RS232, and Manchester/Bosch. Designed to be completely transparent to all camera and monitor manufacturers, the system requires no field adjustments at installation or additional maintenance thereafter. Diagnostic indicators provide a quick visual indication of system status. **The "Afinety" remote monitoring system is available on this product, please consult factory.**

Equipment may be ordered as stand alone modules or rack cards that are mounted in SR-20D/2 or SR-20R/1 American Fibertek Card Cages.



SEE WEBSITE FOR CURRENT RoHS PRODUCT AVAILABILITY