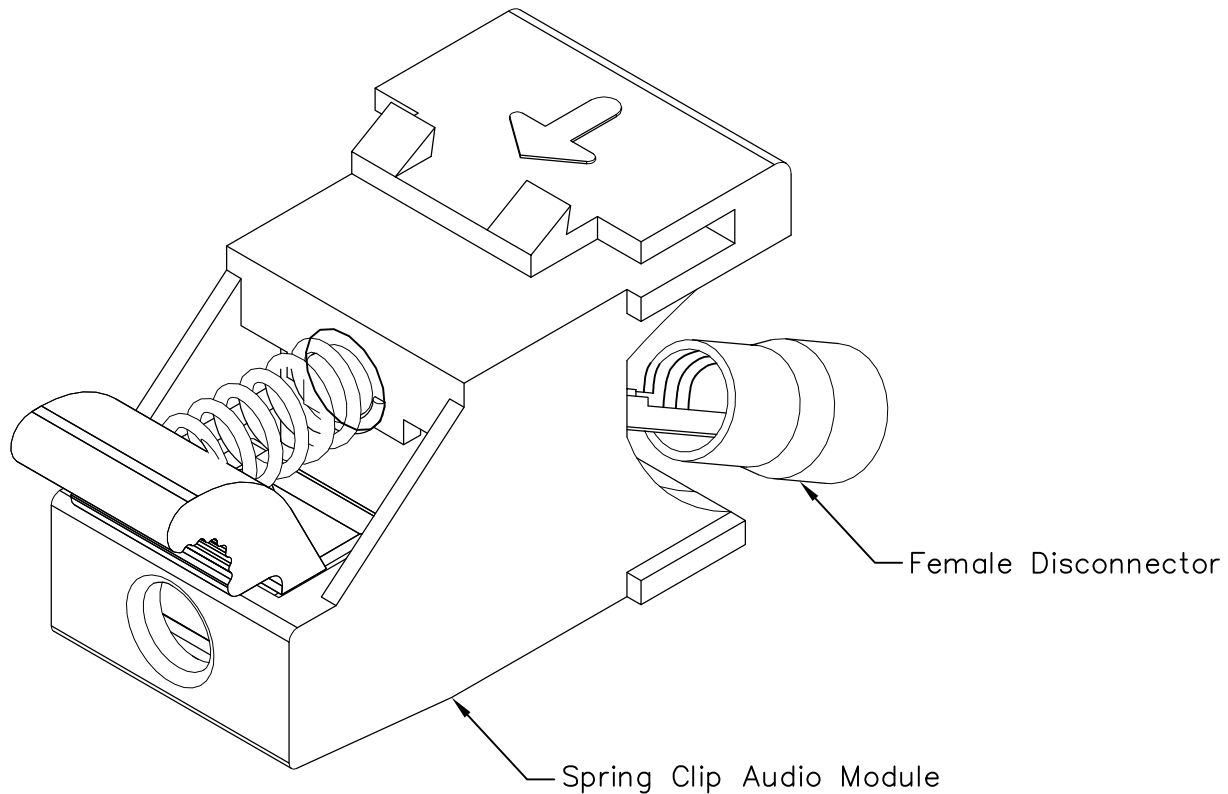


# Spring Clip Speaker Module

## PRODUCT SPECIFICATION

### Package includes:

- A. Spring Clip Audio Module, 2 pcs
- B. Female Disconnecter, 2 pcs



### Features and Benefits:

- Spring clip connection for optimum audio quality
- Available as pairs with red and black push tabs for polarity identification
- Capable of using up to 12 AWG speaker wires for front connection
- Easy installation with solderless crimp-on rear wire connection
- Includes two female disconnectors suitable for 16~14 AWG speaker wires
- Compatible with all IC107 faceplates, inserts, surface mount boxes, and blank patch panels
- Compatible with all IC108 furniture faceplates, bezels, and surface mount boxes
- Available in black
- ANSI/TIA-568-C and UL 1863 compliant

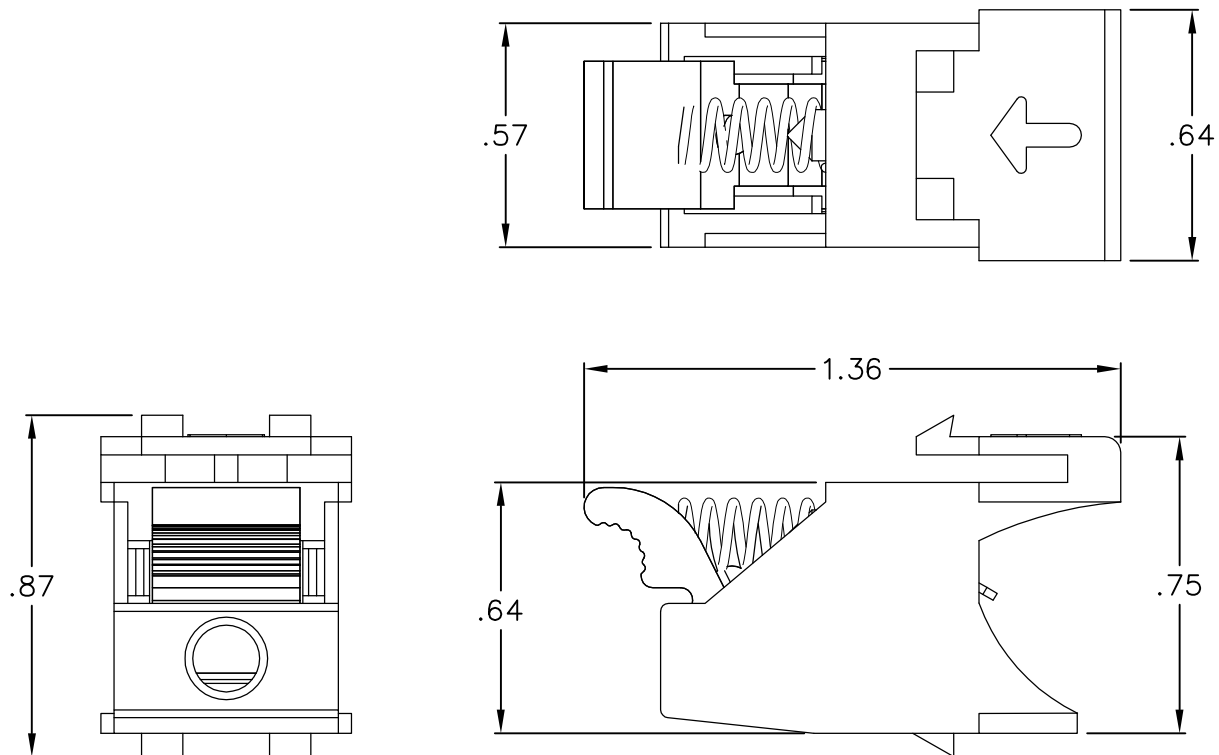
### MODULE, SPEAKER, SPRING CLIP, BLACK

ITEM NO.	IC107BSSBK
DWG NO.	PS107BSSBK

REV.	A
PAGE NO.	1



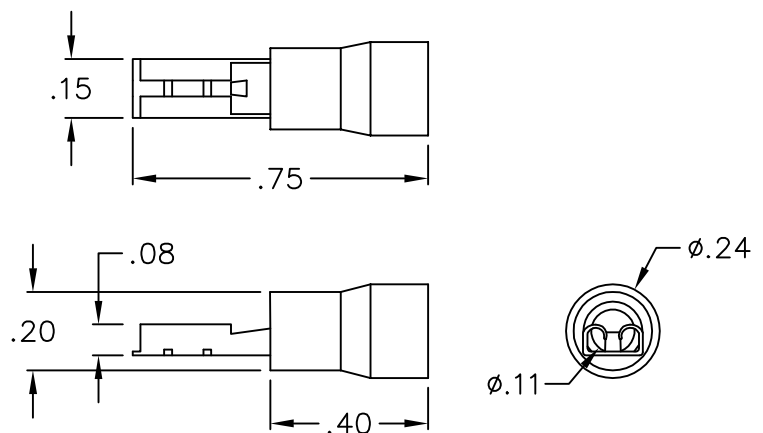
CUSTOMER CARE / TECHNICAL SUPPORT \* CSR@ICC.COM / 888-ASK-4-ICC (275-4422) \* 2100 E. Valencia Dr, Suite D, Fullerton, CA 92831 \* www.icc.com



SPRING CLIP AUDIO MODULE

**NOTE: UNLESS OTHERWISE SPECIFIED**

1. ELECTRICAL RATING: 300 VOLTS MAX @ 75 $\phi$ XC
2. ELECTRIC CURRENT: 15 AMP MAX
3. MATERIAL:
  - A. HOUSING: ABS, UL 94V-0
  - B. PUSH TABS: ABS, UL 94V-0
  - C. CONTACT: TIN PLATED STEEL
  - D. FEMALE DISCONNECTOR:
    - CONNECTOR: TIN PLATED BRASS
    - JACKET: PVC
4. COLOR:
  - A. HOUSING: BK-BLACK
  - B. PUSH TABS: 1 BLACK, 1 RED
  - C. FEMALE DISCONNECTOR JACKET: BLUE



FEMALE DISCONNECTOR

UL US FILE NO. 125268

**MODULE, SPEAKER, SPRING CLIP, BLACK**

ITEM NO. IC107BSSBK  
 DWG NO. PS107BSSBK

REV. A  
 PAGE NO. 2



CUSTOMER CARE / TECHNICAL SUPPORT \* CSR@ICC.COM / 888-ASK-4-ICC (275-4422) \* 2100 E. Valencia Dr, Suite D, Fullerton, CA 92831 \* www.icc.com