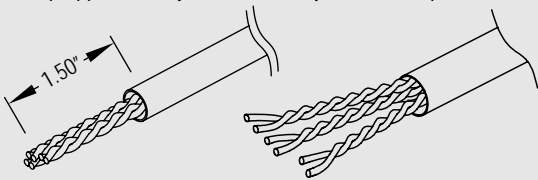
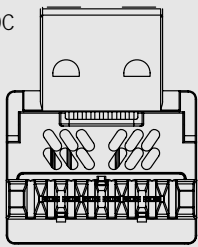


1. Strip approximately 1.50" of cable jacket and separate wires.



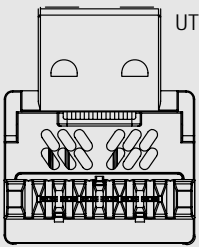
2. Choose between USOC or UTP wiring configuration.

USOC



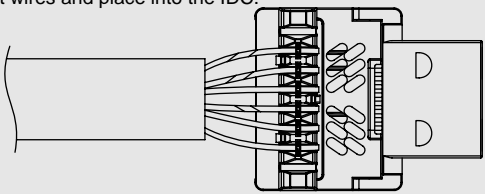
- 1 White
- 2 Black
- 3 Red
- 4 Green
- 5 Yellow
- 6 Blue

UTP Wiring

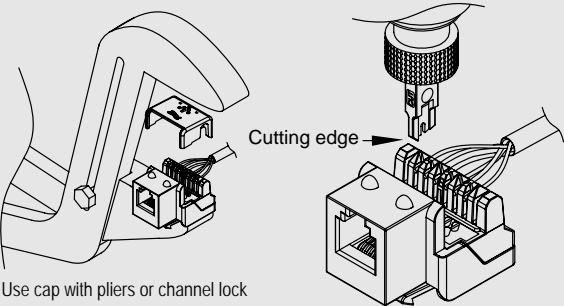


- 1 White/Green
- 2 White/Orange
- 3 Blue
- 4 White/Blue
- 5 Orange
- 6 Green

3. Sort wires and place into the IDC.



4. Terminate wires using the cap or Punch-Down Tool.



Use cap with pliers or channel lock