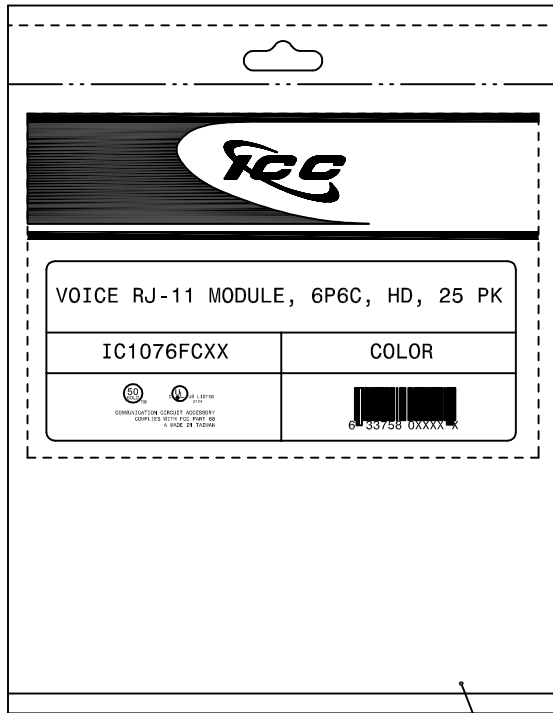


6P6C HD RJ-11 Voice Module, 25 PK

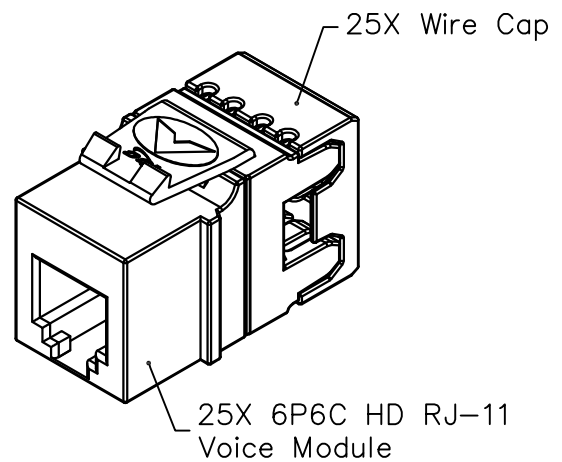
PRODUCT SPECIFICATION

Package includes:

- A. 6P6C HD RJ-11 Voice Module, 25 pcs
- B. Wire Cap, 25 pcs



Packaging Bag



Features and Benefits:

- Designed for all voice connectivity applications.
- Lead frame technology provides maximum performance and uninterrupted signal integrity.
- Engineered to provide 110 IDC termination reducing installation time.
- One piece termination cap allows for a quick and easy termination.
- Includes an integrated USOC/UTP color wiring diagram.
- Compatible with all IC107 faceplates, inserts, surface mount boxes, and blank patch panels.
- Compatible with all IC108 furniture faceplates, bezels, and surface mount boxes.
- Used with ICC ICLC4, ICLC6 line cords and 110 punch down tool ICACSPDT00.
- Available in Ivory and white.
- 25 modules packaged in packaging bag with 25 wire caps packaged in a separated bag and included in resealable packaging bag.
- ANSI/TIA-568-C and UL 1863 compliant

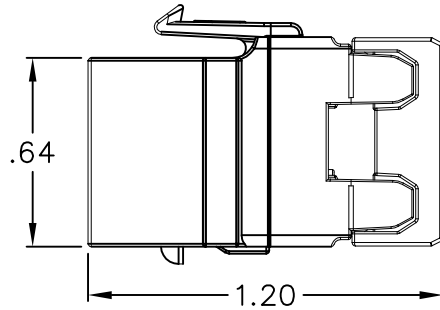
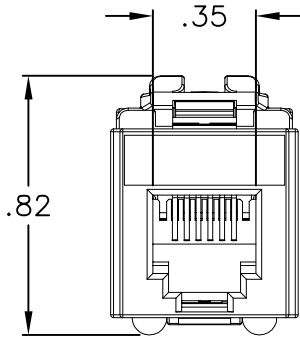
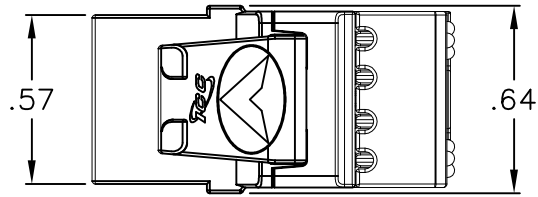
MODULE, VOICE, RJ-11, HD, 25PK

ITEM NO.	IC1076FCXX
DWG NO.	PS1076FC00

REV.	A
PAGE NO.	1



CUSTOMER CARE / TECHNICAL SUPPORT * CSR@ICC.COM / 888-ASK-4-ICC (275-4422) *2100 E. Valencia Dr, Suite D, Fullerton, CA 92831* www.icc.com



NOTE: UNLESS OTHERWISE SPECIFIED

1. RJ-11 VOICE MODULE:

A. ELECTRICAL:

- CURRENT RATING: 1.5 AMPS MAX
- VOLTAGE RATING: 150 VOLTS ALTERNATING
- DIELECTRIC WITHSTANDING VOLTAGE: 1000 VOLTS RMS, 60 HZ
- INSULATION RESISTANCE: > 10 MOHMS

B. MECHANICAL:

- MATED FORCE: 5 LBS MAX
- UNMATED FORCE: 5 LBS MAX
- PLUG RETENTION FORCE: 20 LBS MIN
- DURABILITY: 750 CYCLES

C. PHYSICALS:

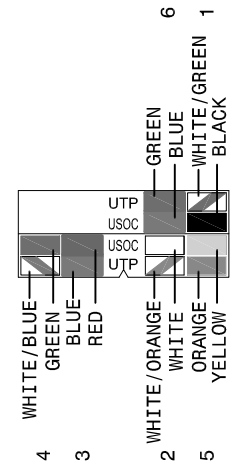
- HOUSING: ABS, UL 94V-0
- CONTACT: PHOSPHOR BRONZE ALLOY PLATED WITH 50 µin OF GOLD OVER 70~100 µin OF NICKEL
- GOLD PLATING: 1.27 MICRON/50 MICRO INCH MIN
- CONNECTOR: INSULATION DISPLACEMENT CONNECTOR (IDC) ACCEPTS 22~24 AWG SOLID WIRE

D. COLORS: XX: IV-IVORY & WH-WHITE

2. TERMINATION CAP:


- A. MATERIAL: PC, UL 94V-0
- B. COLOR: CLEAR

WIRING DIAGRAM



CAT 3 CONNECTING HARDWARE REQUIREMENTS					
FREQUENCY (MHz)	1.0	4.0	8.0	10.0	16.0
NEXT LOSS (db)	58.1	46.0	40.0	38.1	34.0
FEXT LOSS (db)	N/S	N/S	N/S	N/S	N/S
RETURN LOSS (db)	N/S	N/S	N/S	N/S	N/S
INSERTION LOSS(db)	0.10	0.20	0.28	0.32	0.40

UL US FILE NO. 125268

MODULE, VOICE, RJ-11, HD, 25PK		 Premium Products Proven Performance Competitive Prices	
ITEM NO.	IC1076FCXX		REV. A
DWG NO.	PS1076FC00	PAGE NO.	2

CUSTOMER CARE / TECHNICAL SUPPORT * CSR@ICC.COM / 888-ASK-4ICC (275-4422) *2100 E. Valencia Dr, Suite D, Fullerton, CA 92831* www.icc.com