



INSTALLATION AND OPERATION MANUAL

FVTR

10-BIT DIGITAL BI-DIRECTIONAL VIDEO OR VIDEO SYNC

The FVTR(M)(S)1 series video transmitter/ receiver supports the transmission of short-haul quality 10-bit digital bi-directional video or sync over one multimode or single mode optical fiber.

This module is universally compatible with major CCTV camera manufacturers. Plug-and-play design ensures ease of installation and no electrical or optical adjustments are ever required. Bi-color (Red/Green) LED indicators are provided for rapidly ascertaining equipment operating status.

These units are interchangeable between stand-alone or card mount configurations. See **Figure A** on **Page 4** for installation instructions.

See **Figures 1 – 3** for complete installation details.

FIGURE 1 – FVTR TRANSCEIVER

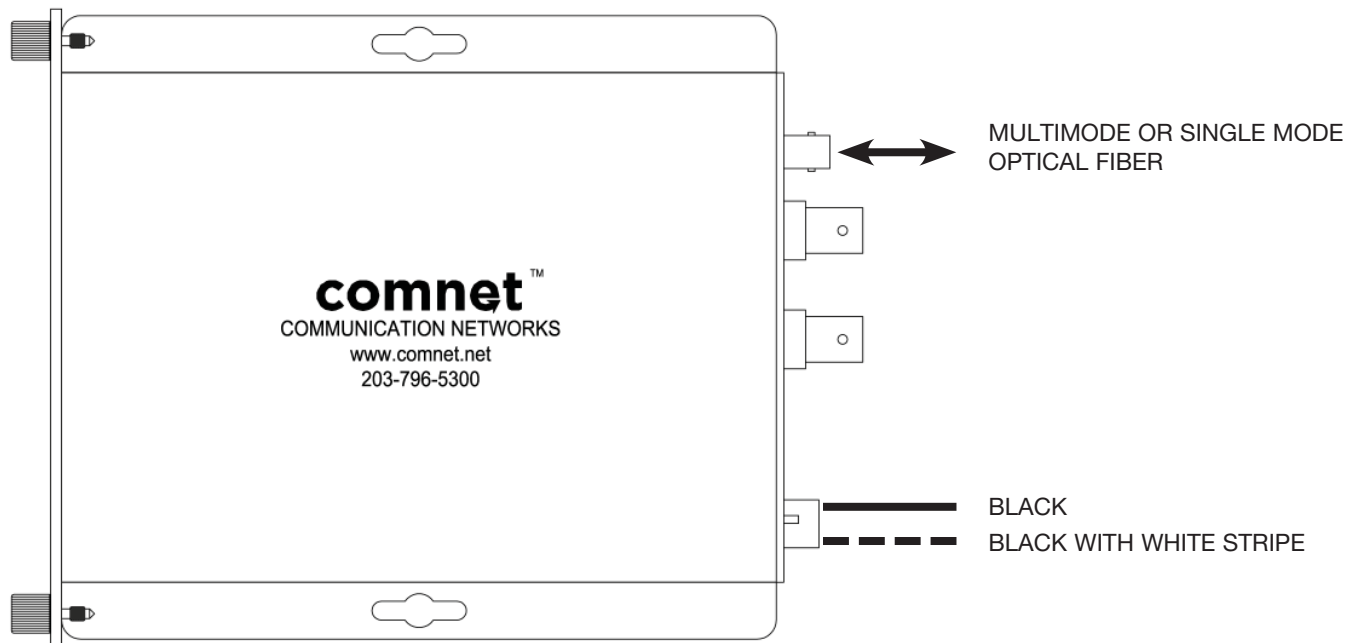


FIGURE 2 – FVTRD TRANSCEIVER

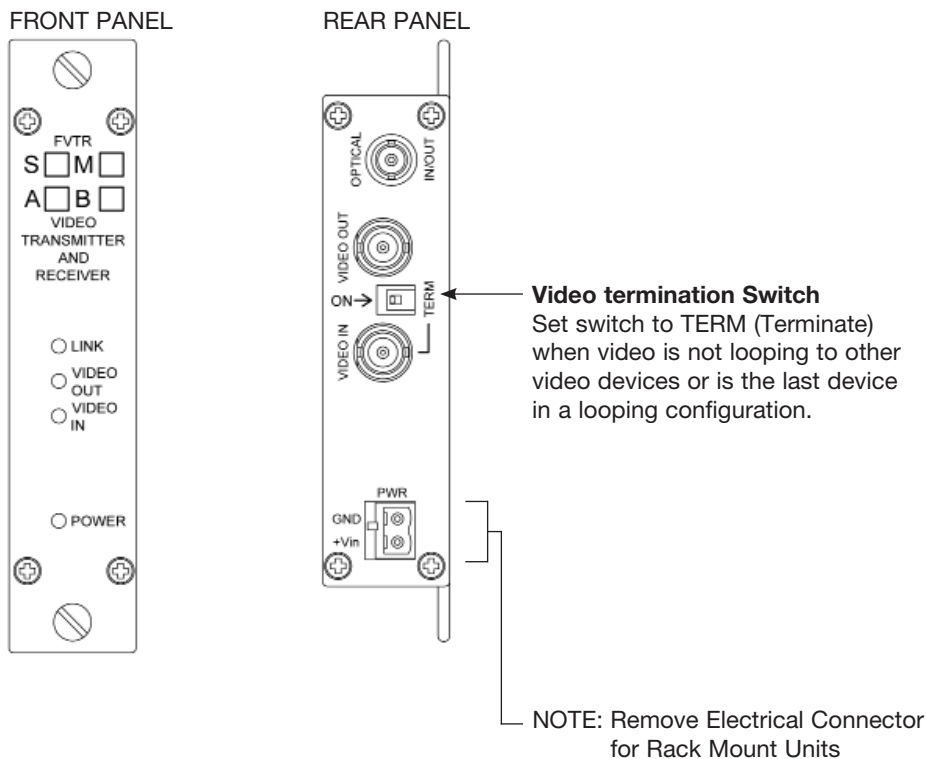


FIGURE 3 – LED INDICATORS

	LINK	VIDEO IN	VIDEO OUT	POWER
GREEN	Communication link has been established over optical fiber	An active video signal is present on the BNC connector.	An active video signal is present on the BNC connector.	Unit powered up
RED	Communication link has not been established.	No video input signal	No video output signal	–
OFF	Unit powered down			

MECHANICAL INSTALLATION INSTRUCTIONS

INSTALLATION CONSIDERATIONS

This fiber-optic link is supplied as a Standalone/Rack module. Units should be installed in dry locations protected from extremes of temperature and humidity.

STANDALONE MODULE:

The unit is provided with a mounting plate with holes for two No. 6 pan head screws (3 mm or 3.55 mm). **Attach the module to a solid piece of wood using two No. 6 pan head wood screws with a minimum penetration into the wood of 3/4 inch. (Screws not supplied). See Figure A.**

RACK MODULE:

The unit is designed to be installed in the ComNet 19-inch (483-mm) EIA standard card-cage rack, the C1-US, C1-EU, or the C1-CH. Follow these guidelines to install rack cards after performing module setup procedures.

C1-US, C1-EU, C1-AU OR C1-CH CARD CAGE RACKS

CAUTION: Although the units are hot-swappable and may be installed without turning power off to the rack, ComNet recommends that the power supply be turned off and that the rack power supply is disconnected from any power source. **Note:** Remove electrical connector before installing in card cage rack.

1. Make sure that the card is oriented right side up, and slide it into the card guides in the rack until the edge connector at the back of the card seats in the corresponding slot in the rack's connector panel. Seating may require thumb pressure on the top and bottom of the card's front panel.

CAUTION: Take care not to press on any of the LEDs.

2. Tighten the two thumb screws on the card until the front panel of the card is seated against the front of the rack.

WARNING: Unit is to be used with a Listed Class 2 or LPS power supply rated 9-12 VDC @ 1A.

WARNING: This unit should be installed in a restricted access location; available through the use of a lock and key or other means of security. Access should be limited to service personnel who have been instructed about the reasons for the restrictions to the location. Any and all precautions should be taken and controlled by the authority responsible for the location.

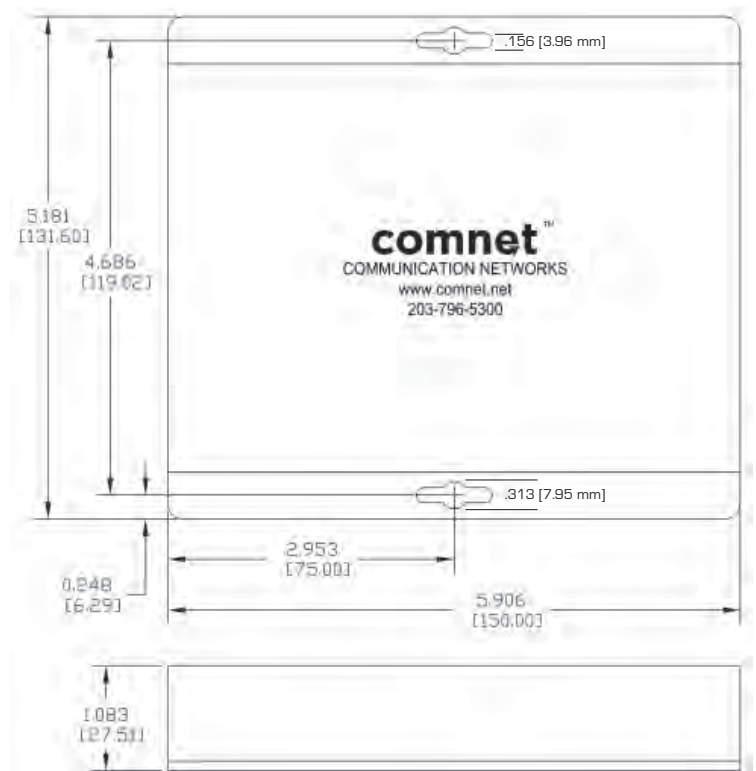
IMPORTANT SAFEGUARDS:

A) Elevated Operating Ambient - If installed in a closed or multi-unit rack assembly, the operating ambient temperature of the rack environment may be greater than room ambient. Therefore, consideration should be given to installing the equipment in an environment compatible with the maximum ambient temperature (T_{ma}) specified by the manufacturer.

B) Reduced Air Flow - Installation of the equipment in a rack should be such that the amount of air flow required for safe operation of the equipment is not compromised.

FIGURE A

Dimensions are for a standard ComNet™ one slot module



comnet
Communication Networks

3 CORPORATE DRIVE | DANBURY, CT 06810 | USA
T: 203.796.5300 | F: 203.796.5303 | TECH SUPPORT: 1.888.678.9427 | INFO@COMNET.NET

8 TURNBERRY PARK ROAD | GILDERSOME | MORLEY | LEEDS, UK LS27 7LE
T: +44 (0)113 307 6400 | F: +44 (0)113 253 7462 | INFO-EUROPE@COMNET.NET