

FPE42F(H)-S
FPE47F(H)-S
FPE55F(H)-S

Indoor/Outdoor Protective Enclosures for 40" to 55" Flat Panel Displays

Peerless' display enclosures allow for worry-free digital signage in any place that is needed. Protection from the outdoor elements, pollution, theft and vandalism is inherently built into the steel and corrosion resistant enclosure, along with tubular keyed compression locks for added security. Waterproof and sealed with a rubber gasket to withstand the elements in any climate, and are available with a heated or fan-cooled option. Thermostat controlled fans & heat ensuring the display will continue to function in most outdoor conditions.



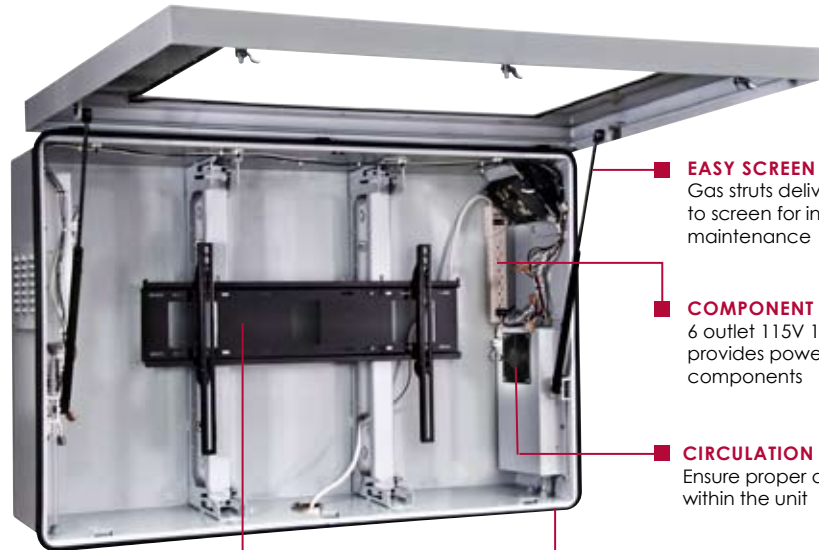
Screen size: 40"-55"



Max load: 250lb (113kg)

FEATURES

- Triple corrosion protection with galvanized cold rolled steel, zinc powder primer & powder paint
- Available in fan cooled or heated model options with thermostat controlled fans to ensure proper air circulation and heat ventilation
- Shatter-proof tempered glass window
- Incremental depth adjustment allows for ideal screen placement of 1/2" from interior window
- Tested to IP 56 standards



■ **EASY SCREEN ACCESS**
Gas struts deliver easy access to screen for installation and maintenance

■ **COMPONENT POWER**
6 outlet 115V 15A power strip provides power to internal components

■ **CIRCULATION FANS**
Ensure proper air flow within the unit

■ **RUBBER GASKET SEAL**
Protects from ingress of water and other harmful elements

■ **UNIVERSAL COMPATIBILITY**
Unit includes Peerless' universal flat panel mount PF660 that accommodates flat panel displays with up to 600 x 400mm VESA® mounting pattern



Closed View



Thermostat controls



Stainless steel key lock



MADE IN USA

CLICK: www.peerlessmounts.com

CALL: 800.865.2112

FAX: 800.359.6500

peerless®

Model Numbers

WARRANTY: Limited 5-year on enclosure
Limited 1 Year Warranty on corrosion and electrical components

FPE42F-S:	Indoor/Outdoor Protective Enclosure with Cooling Fans for 40"-42" Flat Panel Screens
FPE47F-S:	Indoor/Outdoor Protective Enclosure with Cooling Fans for 46"-47" Flat Panel Screens
FPE55F-S:	Indoor/Outdoor Protective Enclosure with Cooling Fans for 52"-55" Flat Panel Screens
FPE42FH-S:	Indoor/Outdoor Protective Enclosure with Cooling Fans and Thermostat Controlled Heater for 40"-42" Flat Panel Screens
FPE47FH-S:	Indoor/Outdoor Protective Enclosure with Cooling Fans and Thermostat Controlled Heater for 46"-47" Flat Panel Screens
FPE55FH-S:	Indoor/Outdoor Protective Enclosure with Cooling Fans and Thermostat Controlled Heater for 52"-55" Flat Panel Screens

Product Specifications

	DIMENSIONS (W x H x D)	PRODUCT WEIGHT	LOAD CAPACITY	FINISH	AVAILABLE COLORS
FPE42F(H)-S	51.41" x 33.80" x 11.68" (1306 x 859 x 297mm)	150lb (68kg)	250lb (113kg) PF660: 200lb (91kg)	Zinc powder primer and a scratch resistant gray powder paint	Stone gray
FPE47F(H)-S	55.76" x 36.25" x 11.68" (1416 x 921 x 297mm)	160lb (73kg)			
FPE55F(H)-S	62.74" x 40.18" x 11.68" (1594 x 1021 x 297mm)	170lb (77kg)			

Ambient Temperature Range	Cooling Fan Operating Temperature	Heater Operating Temperatures	Available Power Load Wattage	NOTE: Customizable enclosures and mounts available. Call tech support for further details. IR remotes controls may be blocked depending on placement of sensor on certain displays.
Non-Heated 41 to 95° F (5 to 35° C) Heated 5 to 95° F (-15 to 35° C)	Factory set by Peerless to turn on at 70° F (21° C)	Turns on at 40° ±7° F (4° ±7° C) Turns off at 60° ±5° F (15° ±5° C)	Fan cooled (1550 WATTS) Heated (700 WATTS)	

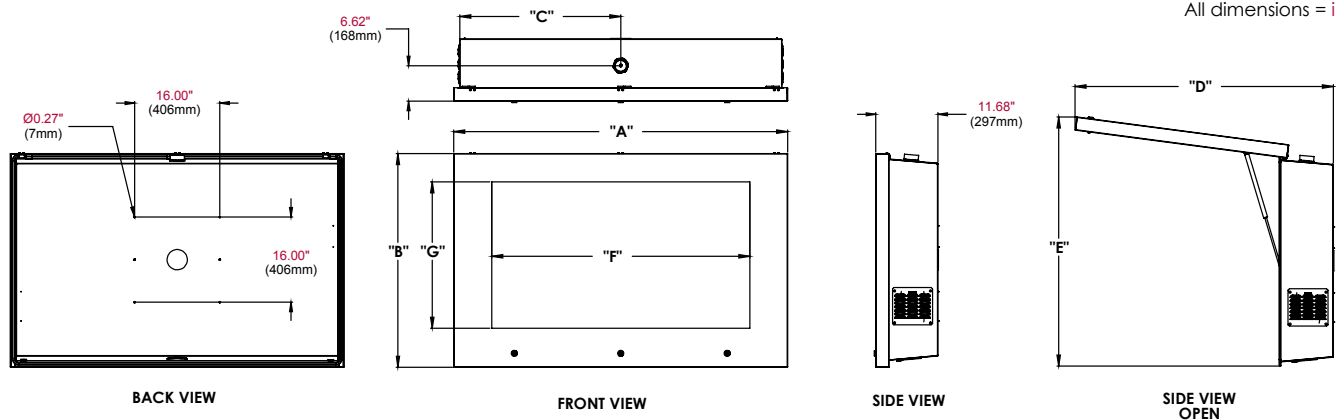
Package Specifications

	PACKAGE SIZE (W x H x D)	PACKAGE SHIP WEIGHT	PACKAGE UPC CODE	PACKAGE CONTENTS	UNITS IN PACKAGE
FPE42F-S	52.5" x 36.25" x 12" (1334 x 921 x 305mm)	150lb (68kg)	735029267775	Complete enclosure assembly, Peerless PF660 mount, 6 outlet power strip, Rextec cable seals, wood mounting hardware, locks and key	1
FPE47F-S	57" x 38" x 12" (1448 x 965 x 305mm)	160lb (73kg)	735029272267		
FPE55F-S	64" x 42.5" x 12" (1626 x 1080 x 305mm)	170lb (77kg)	735029272977		
FPE42F(H)-S	52.5" x 36.25" x 12" (1334 x 921 x 305mm)	155lb (70kg)	735029271536		
FPE47F(H)-S	57" x 38" x 12" (1448 x 965 x 305mm)	165lb (75kg)	735029272274		
FPE55F(H)-S	64" x 42.5" x 12" (1626 x 1080 x 305mm)	175lb (79kg)	735029272984		

Accessories

FPEWM:	Indoor/Outdoor Tilting Wall Mount for FPE42F(H)-S, FPE47F(H)-S & FPE55F(H)-S Protective Enclosures
FPECMC models:	Indoor/Outdoor Tilting Concrete Ceiling Mount for FPE42F(H)-S, FPE47F(H)-S & FPE55F(H)-S Protective Enclosures
FPEAMI models:	Indoor/Outdoor Tilting I-Beam Mount for FPE42F(H)-S, FPE47F(H)-S & FPE55F(H)-S Protective Enclosures
FPEPM models:	Indoor/Outdoor Tilting Pedestal Mount for FPE42F(H)-S, FPE47F(H)-S & FPE55F(H)-S Protective Enclosures

All dimensions = inch (mm)



MODEL NO.	DIMENSION "A"	DIMENSION "B"	DIMENSION "C"	DIMENSION "D"	DIMENSION "E"	DIMENSION "F"	DIMENSION "G"
FPE42F-S FPE42FH-S	51.41" (1306mm)	33.80" (859mm)	25.09" (637mm)	42.18" (1071mm)	39.67" (1008mm)	36.50" (927mm)	21.00" (533mm)
FPE47F-S FPE47FH-S	55.76" (1416mm)	36.25" (921mm)	26.78" (680mm)	44.65" (1134mm)	42.20" (1072mm)	41.50" (1054mm)	23.50" (597mm)
FPE55F-S FPE55FH-S	62.74" (1594mm)	40.18" (1021mm)	30.26" (769mm)	48.51" (1232mm)	46.83" (1189mm)	48.50" (1232mm)	27.50" (699mm)

ARCHITECTS SPECIFICATIONS

The Peerless Protective Enclosure shall be model _____ and shall be located where indicated on the plans. It shall be constructed of heavy gauge cold rolled steel. Finished with Zinc Powder Primer and a scratch resistant ASA-70 gray protective coating. Assembly and installation shall be done according to instructions provided by the manufacturer

Peerless Industries, Inc. ■ 2300 White Oak Circle ■ Aurora, IL 60502 ■ (800) 865-2112 ■ (630) 375-5100 ■ Fax: (800) 359-6500 ■ www.peerlessmounts.com

Visit www.peerlessmounts.com to see the complete line of AV solutions from Peerless, including flat panel mounts, projector mounts, carts/stands, furniture, cables, screen cleaners and a full assortment of accessories.