

Corner-Mount Camera

EV-4605-N3SQ

3.0mm Lens, 120° viewing angle

Features:

- 1/3" SONY Super HAD II CCD
- Digital Noise Reduction (2D-NR)
- 3.0mm Lens
- 120° Viewing angle
- 600 TV lines
- Weatherproof (IP65)
- Vandal-resistant with heavy-gauge aluminum front face
- Low-profile appearance makes it perfect for elevators and office corners

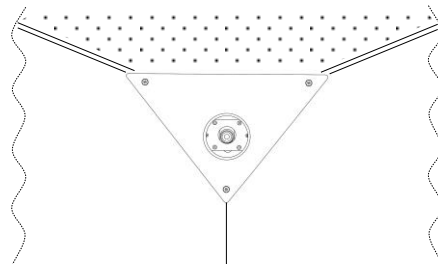
Specifications:

Type	Corner-Mount Camera
CCD	1/3" Sony Super HAD II Color CCD
Resolution	600 TV lines
Pickup elements	768 x 494 pixels
Video output format	NTSC
Video output	1.0Vp-p composite video, 75Ω
DNR	2D-NR
Scanning system	2:1 Interlace
Lens	3.0mm
Viewing angle	120°
Minimum Illumination	0.1-lux (F/1.4)
S/N ratio	>48dB
# of IR LEDs	N/A
Gamma correction	0.45
Gain control	Auto
IP rating	IP65
Power source	12VDC±10%
Current draw	83mA
Operating temperature	14°~122°F (-10°~50°C)
Dimensions	7 1/2" x 5 1/2" x 1 11/16" (190x140x43mm)
Weight	15-oz (430g)

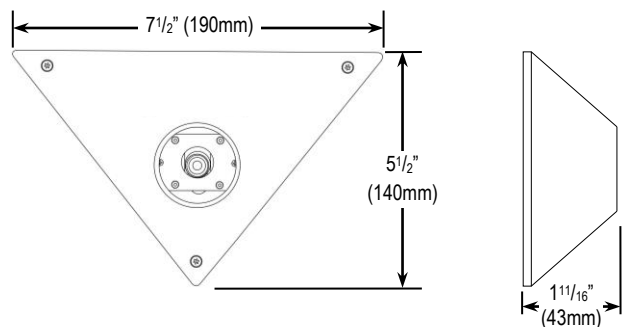


This **ENFORCER** Corner-Mount Camera has a discreet, low-profile appearance and a wide-angle lens, making it perfect for elevators and office corners.

Sample Application:



Dimensions:



Also Available from SECO-LARM®:

Corner-Mount Camera with IR LEDs	EV-4606-N3SBQ
3.0 mm lens, 120° viewing angle, 24 invisible 940nm IR LEDs, 700 TV Lines (960H Resolution)	

SECO-LARM® U.S.A., Inc.

16842 Millikan Avenue, Irvine CA 92606

Phone: (949) 261-2999 | (800) 662-0800 Fax: (949) 261-7326

Website: www.seco-larm.com Email: sales@seco-larm.com



Copyright 2014 © SECO-LARM U.S.A, Inc. All rights reserved. The SECO-LARM policy is one of continual development. For that reason, SECO-LARM reserves the right to change prices and specifications without notice. SECO-LARM is not responsible for misprints.

SECO-LARM® ENFORCER® CRIMEBUSTER® CBA SLI®

Pi-EV-4605-N3SQ_1407.docx