

EPTZ9200/9300 Series Speed Dome

AHD 1080p Outdoor/Indoor PTZ

with True Day/Night and WDR (20x / 30x Optical Zoom)

eZ.HD

User's Manual



EverFocus

Copyright © EverFocus Electronics Corp.

Release Date: November, 2015



Copyright © 1995 - 2015 EverFocus Electronics Corp.

All rights reserved. No part of the contents of this manual may be reproduced or transmitted in any form or by any means without written permission of the EverFocus Electronics Corporation.

EverFocus

12F, No.79, Sec. 1, Shin-Tai Wu Road,

Hsi-Chih, New Taipei City, Taiwan

TEL: +886 2 2698 2334

FAX: +886 2 2698 3943

www.everfocus.com.tw

November, 2015

About this document

All the safety and operating instructions should be read and followed before the unit is operated. This manual should be retained for future reference. The information in this manual was current when published. The manufacturer reserves the right to revise and improve its products. All specifications are therefore subject to change without notice.

Regulatory Notices

FCC Notice "Declaration of Conformity Information"

This equipment has been tested and found to comply with the limits for a Class

A digital device, pursuant to part 15 of the FCC Rules. These limits are designed to provide reasonable protection against harmful interference in a residential installation. This equipment generates, uses and can radiate radio frequency energy and, if not installed and used in accordance with the instructions, may cause harmful interference to radio communications. However, there is no guarantee that interference will not occur in a particular installation. If this equipment does cause harmful interference to radio or television reception, which can be determined by turning the equipment off and on, the user is encouraged to try to correct the interference by one or more of the following measures:

- Reorient or relocate the receiving antenna.
- Increase the separation between the equipment and receiver.
- Connect the equipment into an outlet on a circuit different from that to which the receiver is connected.
- Consult the dealer or an experienced radio/TV technician for help.

Warning: Changes or modifications made to this equipment, not expressly approved by EverFocus or parties authorized by EverFocus could void the user's authority to operate the equipment.

This device complies with part 15 of the FCC Rules. Operation is subject to the following two conditions:

- (1) This device may not cause harmful interference, and
- (2) This device must accept any interference received, including interference that may cause undesired operation.

EverFocus Electronics Corp.

12F, No. 79, Sec. 1, Shin-Tai Wu Rd., Hsi-Chi,
New Taipei City, Taiwan

EPTZ cameras comply with CE and FCC.

Precautions

1. Do not install the camera near electric or magnetic fields.

Install the camera away from TV/radio transmitters, magnets, electric motors, transformers and audio speakers since the electromagnetic fields generated from these devices may distort the video image or otherwise interfere with camera operation.

2. Never disassemble the camera beyond the recommendations in this manual nor introduce materials other than those recommended herein.

Improper disassembly or introduction of corrosive materials may result in equipment failure or other damage.

3. Try to avoid facing the camera toward the sun.

In some circumstances, direct sunlight may cause permanent damage to the sensor and/or internal circuits, as well as creating unbalanced illumination beyond the capability of the camera to compensate.

4. Keep the power cord away from water and other liquids and never touch the power cord with wet hands.

Touching a wet power cord with your hands or touching the power cord with wet hands may result in electric shock.

5. Never install the camera in areas exposed to oil, gas or solvents.

Oil, gas or solvents may result in equipment failure, electric shock or, in extreme cases, fire.

6. Cleaning

For cameras with interchangeable lenses, do not touch the surface of the sensor directly with the hands. Use lens tissue or a cotton tipped applicator and ethanol to clean the sensor and the camera lens. Use a damp soft cloth to remove any dirt from the camera body. Please do not use complex solvents, corrosive or abrasive agents for cleaning of any part of the camera.

7. Do not operate the camera beyond the specified temperature, humidity or power source ratings.

Use the outdoor camera at temperatures within $-40^{\circ}\text{C} \sim +50^{\circ}\text{C} \leq 95\%$ / $-40^{\circ}\text{F} \sim +122^{\circ}\text{F} \leq 95\%$ and the indoor camera at temperatures within $-10^{\circ}\text{C} \sim +50^{\circ}\text{C} \leq 85\%$ / $14^{\circ}\text{F} \sim +122^{\circ}\text{F} \leq 85\%$; this device is not rated as submersible. The input power source is 24 VAC~. Be sure to connect the proper + / - polarity and voltage, as incorrect polarity or too high a voltage will likely cause the camera to fail, and such damage is not covered by the warranty. The use of properly fused or Class 2 power limited type supplies is highly recommended.

8. Mounting

Use care in selecting a solid mounting surface which will support the weight of the camera plus any wind, snow, ice or other loading, and securely attach the camera to the mounting surface using screws and anchors which will properly support the camera. If necessary (e.g. when mounting to drop ceilings) use a safety wire to provide additional support for the camera.

CONTENTS

1.	Introduction.....	1
2.	Features	2
3.	Installation.....	2
3.1	Packing List	2
3.2	Optional Accessories	3
3.3	Cable Descriptions.....	4
3.4	I/O Terminal Block.....	5
3.5	Basic Installation for Outdoor Models	6
3.5.1	Installation Requirements.....	6
3.5.2	Important Note for Installation.....	7
3.5.2.1	Replacing the Desiccant Bags	7
3.5.3	Initial Setup	8
3.5.4	Wall-Mount Installation	12
3.5.5	Ceiling Mount Installation.....	15
3.5.6	EKB500 Connection.....	19
4.	Configuration in the OSD Menu	20
4.1	Video Settings.....	21
4.2	Positions	27
4.3	OSD/Areas	29
4.4	Auto Modes.....	33
4.5	Alarm	39
4.6	Private Zones (Optional)	42
4.7	System	44
4.8	Info	45
4.9	Exit.....	46
5.	Specifications	47
Appendix	49
A.	Setting-up and Operating EPTZ Camera Function Using EKB500.....	49

1. Introduction

The EPTZ9200/9300 Series is a high-performance speed dome with a built-in 20x / 30x optical zoom lens, supporting up to AHD 1080p. The series comes in two types: outdoor (EPTZ9200/9300) and indoor (EPTZ9200i/9300i). Equipped with a weather-resistant (IP66) housing, the outdoor models meet a wide variety of needs for outdoor surveillance.

EverFocus speed dome provides variable pan / tilt speeds ranging from 360° per second to 0.01° per second with 0.1° position accuracy for fast and accurate monitoring. A maximum of 192 preset points can be configured for precise location of target areas. Features like 360° endless rotation, total 180° tilt angle (Auto Flip), 16 tour sequences, 4 patterns are all provided. The speed dome also features IR Cut Filter, which can be removed or attached manually or automatically switched based on the detected light levels.



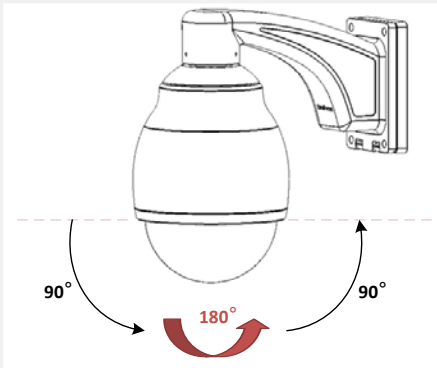
Item Name

No.	Item Name	No.	Item Name	No.	Item Name
1	Top Housing	2	Outer Housing	3	Camera Main Body

2. Features

- Built-in 20x (EPTZ9200 Series) / 30x (EPTZ9300 Series) AHD Optical Zoom Lens
- True Day / Night function (IR Cut Filter Removable)
- Slow Shutter
- Built-in Dynamic Noise Reduction (DNR)
- Privacy Zone Masking (Optional)
- Auto Detection of Protocols
- 192 preset positions are available
- 16 cruise tours can be set, and each tour contains up to 16 positions
- 4 Alarm Inputs & 2 Alarm Outputs
- Running to position speed, 0.01°/s to 360°/s
- RS-485 Communication
- IP 66 (for EPTZ9200/9300)

Note: To tilt 180°, the camera will tilt 90° first, and then the camera will auto flip by 180 degrees, after that, go down to 180° (See image below).



3. Installation

3.1 Packing List

There are 3 boxes that are camera main body with a camera module, top housing with a base board & pin connector and outer housing with bubble, plus one tool packet in the package. The detail accessories are listed below:

Standard

1. Camera Main Body x 1
2. Top Housing x1
3. Outer Housing with Bubble x1
4. Tool Packet
 - ◆ Hexagon Wrench x1

- ◆ Glove x 1 Pair
- ◆ RS-485 Terminal Block
- ◆ Desiccant Packs x 3

Note:

1. Equipment configurations and supplied accessories vary by country. Please consult your local EverFocus office or agents for more information. Please also keep the shipping carton for possible future use.
2. Contact the shipper if any items appear to have been damaged in the shipping process.

3.2 Optional Accessories

- **EPTZ- PBOX (External power connection box) & adaptor**



- **Wall mount bracket**



- **Pole mount adapter**
(Used for installing a wall-mount bracket to a pole, indoors or outdoors.)



- **Corner mount adapter**
(Used for fixing a wall-mount bracket to a 90° wall corner, indoors or outdoors.)



- **Indoor ceiling pendant mount bracket & adaptor (Used for installing a speed dome against a ceiling.)**



- **Indoor concrete ceiling mount adapter**
(Used for attaching a speed dome to a concrete ceiling.)



- Outdoor sunshield



- Indoor in-ceiling mount bracket



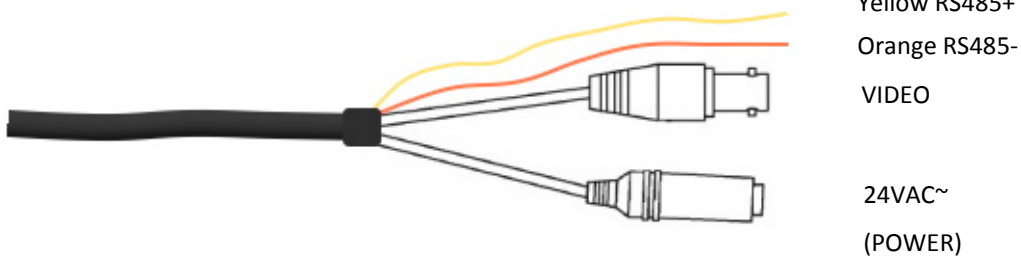
- EKB500 (RS-485 Keyboard)



- EKB200 (USB controller keyboard)



3.3 Cable Descriptions



Power Cable

An adapter with 24 VAC~ / 3A output provides the power to the EPTZ9200/9300 Series camera. An extension power line may be needed.

Note: Different regions may use different ranges for AC voltage. Be sure to check the voltage range in your area before installing.

Video Cable

A BNC cable is used for connecting an EPTZ9200/9300 Series to a DVR or a monitor. An amplifier may be needed depending on the distance.

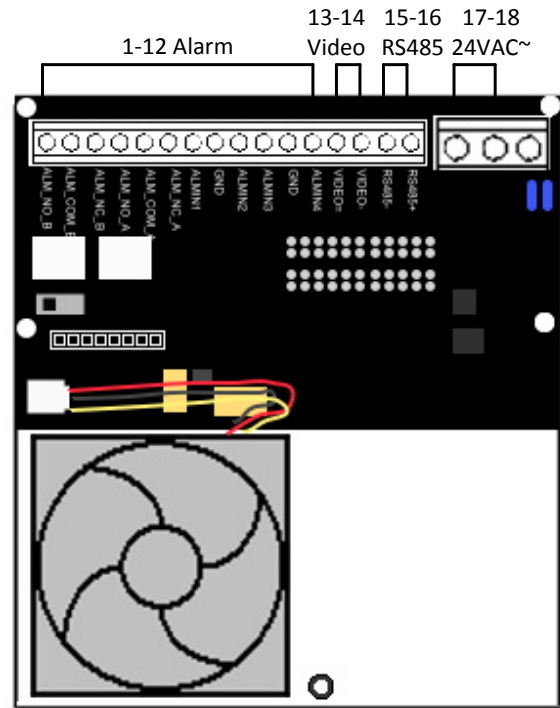
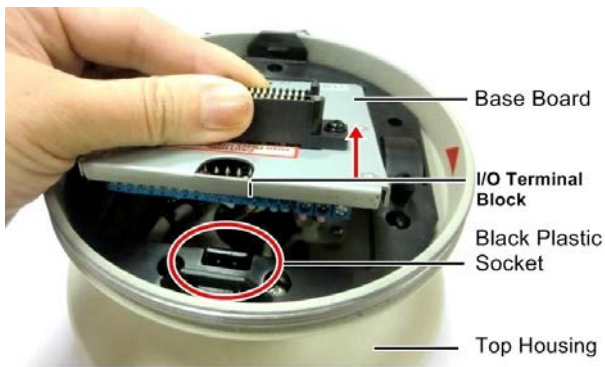
RS-485 Cable

The yellow wire carries RS-485+, and the orange wire carries RS-485-. Connect these wires to the EKB500 or other control device in order to control the PTZ camera.

3.4 I/O Terminal Block

The base board that is inside the top housing connects to power cable, video cable, control cable, alarm cable and fan. The housing must be removed in order to properly connect the cables. The connectors of cable names are marked on the board in white text.

There are 4 alarm inputs and 2 alarm outputs available, represented by Pin 1~12. Pin 13 and 14 are video pins for connecting to video cable. Pin15~16 are RS-485 pin for connecting to keyboard. Pin 17 and 18 are power pin for connecting to 24 VAC~ power.



EPTZ9200/9300 Series Base Board

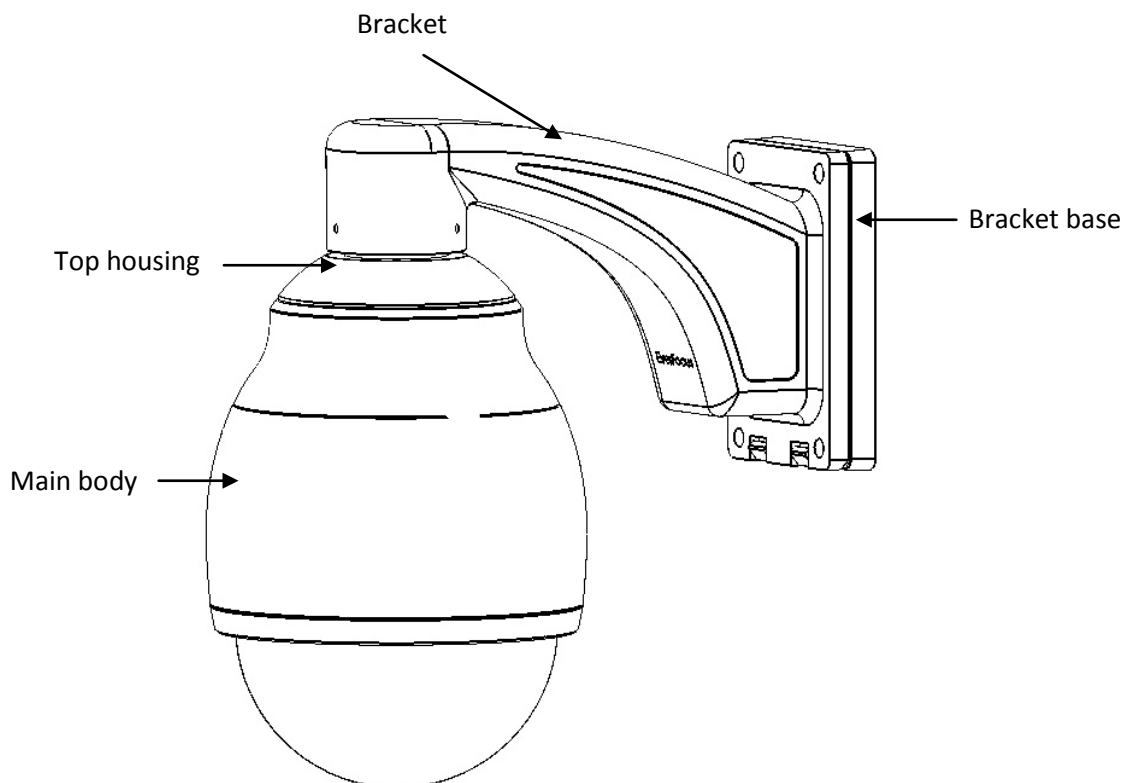
Pin	Function	Pin	Function
1	ALM_NO_B (Alarm Output Normal Open B)	10	ALMIN3 (Alarm Input 3)
2	ALM_COM_B (Alarm Output Common B)	11	GND (Ground)
3	ALM_NC_B (Alarm Output Normal Close B)	12	ALMIN4 (Alarm Input 4)
4	ALM_NO_A (Alarm Output Normal Open A)	13	VIDEO+
5	ALM_COM_A (Alarm Output Common A)	14	VIDEO-
6	ALM_NC_A (Alarm Output Normal Close A)	15	RS-485-
7	ALMIN1 (Alarm Input 1)	16	RS-485+
8	GND (Ground)	17	AC24A+
9	ALMIN2 (Alarm Input 2)	18	AC24B-

3.5 Basic Installation for Outdoor Models

There are two ways to install EPTZ Series Speed Dome: **Wall Mount** and **Ceiling Mount**.

3.5.1 Installation Requirements

- The installation should be handled by a qualified service agent and should be complied with all local regulations. Service personnel should check potential problem such as surfaces strength, surface materials, falling objects, outer breaches, building vibration and other similar conditions.
- Check for all necessary materials, and ensure that the selected installation location is suitable for the camera.
- Installations on a wall, pole, or ceiling must be able to support at least five times the weight of the full camera assembly.

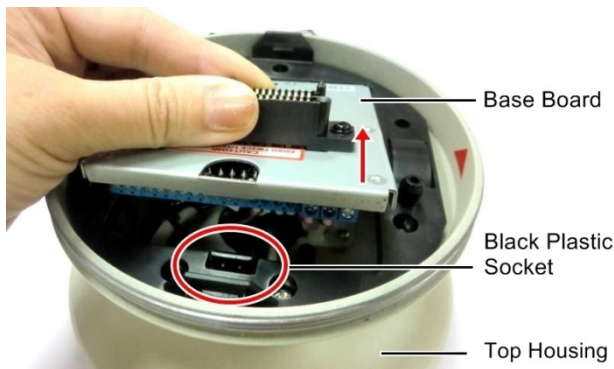


3.5.2 Important Note for Installation

Before installing, replace the 3 desiccant bags inside the top housing. The desiccant bag loses its effectiveness after you open the camera. To keep the camera's interior dry, it is highly recommended to replace the desiccant bags every time when you open the camera.

3.5.2.1 Replacing the Desiccant Bags

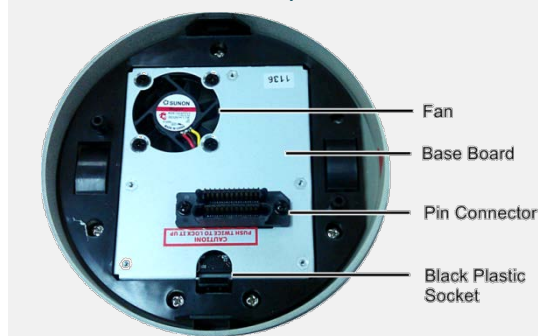
1. On the Top Housing, slightly press the black plastic socket backward and lift up the base board.



2. Remove the desiccant bags from the top housing.
3. Stick the supplied 3 new desiccant bags inside the top housing.



Note: Ensure **Not** to place the desiccant bags under the position of the fan.

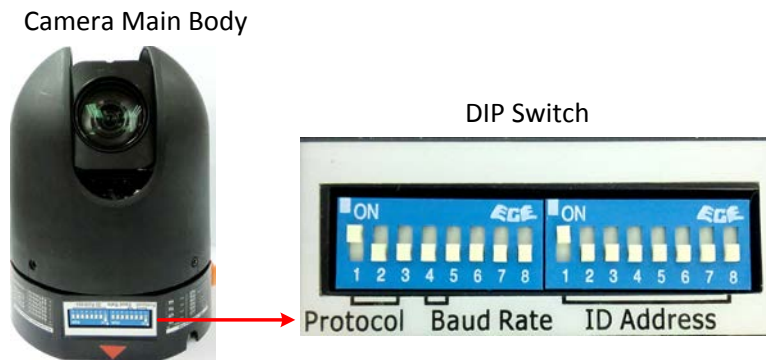


4. Insert the base board into the black plastic socket. The base board should click firmly into position. Make sure the pin connector on the base board is lined up with the pin connector on the main body when you press the two together.

3.5.3 Initial Setup

To allow the control device, such as a keyboard, to recognize and then control multiple cameras, you need to set up the ID address for the cameras using the DIP switch on the Camera Main Body. You can also set up the Protocol, Baud Rate and Video Output Format for the cameras.

Note: Please ensure to turn off the power when setting up the DIP Switch. The new values will only take effect after restarting the camera.

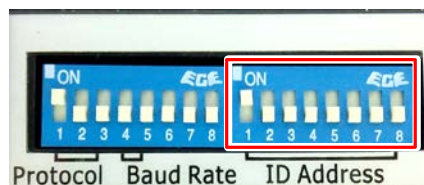


ID Address

The ID address of the camera should be set to correspond properly with the control device, such as a keyboard. The eight switches on the right correspond with the binary code of the ID address, allowing up to 256 ID addresses (0 ~ 255) to be set up. Please refer to the sticker on the camera main body or the following diagram for setting up the ID address. The default ID address is 1.

SW2: RS-485-Address (complete list in user manual)																	
Addr.	1	2	3	4	5	6	7	8	Addr.	1	2	3	4	5	6	7	8
0	<input type="checkbox"/>	<input type="checkbox"/>	<input type="checkbox"/>	<input type="checkbox"/>	<input type="checkbox"/>	<input type="checkbox"/>	<input type="checkbox"/>	<input type="checkbox"/>	6	<input type="checkbox"/>	<input type="checkbox"/>	<input type="checkbox"/>	<input type="checkbox"/>	<input type="checkbox"/>	<input type="checkbox"/>	<input type="checkbox"/>	<input type="checkbox"/>
1	<input type="checkbox"/>	<input type="checkbox"/>	<input type="checkbox"/>	<input type="checkbox"/>	<input type="checkbox"/>	<input type="checkbox"/>	<input type="checkbox"/>	<input type="checkbox"/>	7	<input type="checkbox"/>	<input type="checkbox"/>	<input type="checkbox"/>	<input type="checkbox"/>	<input type="checkbox"/>	<input type="checkbox"/>	<input type="checkbox"/>	<input type="checkbox"/>
2	<input type="checkbox"/>	<input type="checkbox"/>	<input type="checkbox"/>	<input type="checkbox"/>	<input type="checkbox"/>	<input type="checkbox"/>	<input type="checkbox"/>	<input type="checkbox"/>	8	<input type="checkbox"/>	<input type="checkbox"/>	<input type="checkbox"/>	<input type="checkbox"/>	<input type="checkbox"/>	<input type="checkbox"/>	<input type="checkbox"/>	<input type="checkbox"/>
3	<input type="checkbox"/>	<input type="checkbox"/>	<input type="checkbox"/>	<input type="checkbox"/>	<input type="checkbox"/>	<input type="checkbox"/>	<input type="checkbox"/>	<input type="checkbox"/>	9	<input type="checkbox"/>	<input type="checkbox"/>	<input type="checkbox"/>	<input type="checkbox"/>	<input type="checkbox"/>	<input type="checkbox"/>	<input type="checkbox"/>	<input type="checkbox"/>
4	<input type="checkbox"/>	<input type="checkbox"/>	<input type="checkbox"/>	<input type="checkbox"/>	<input type="checkbox"/>	<input type="checkbox"/>	<input type="checkbox"/>	<input type="checkbox"/>									
5	<input type="checkbox"/>	<input type="checkbox"/>	<input type="checkbox"/>	<input type="checkbox"/>	<input type="checkbox"/>	<input type="checkbox"/>	<input type="checkbox"/>	<input type="checkbox"/>	255	<input type="checkbox"/>	<input type="checkbox"/>	<input type="checkbox"/>	<input type="checkbox"/>	<input type="checkbox"/>	<input type="checkbox"/>	<input type="checkbox"/>	<input type="checkbox"/>

Sticker on the Camera Main Body



Switch	Address	Switch	Address	Switch	Address	Switch	Address
	0		32		64		96
	1		33		65		97
	2		34		66		98
	3		35		67		99
	4		36		68		100
	5		37		69		101
	6		38		70		102
	7		39		71		103
	8		40		72		104
	9		41		73		105
	10		42		74		106
	11		43		75		107
	12		44		76		108
	13		45		77		109
	14		46		78		110
	15		47		79		111
	16		48		80		112
	17		49		81		113
	18		50		82		114
	19		51		83		115
	20		52		84		116
	21		53		85		117
	22		54		86		118
	23		55		87		119
	24		56		88		120
	25		57		89		121
	26		58		90		122
	27		59		91		123
	28		60		92		124
	29		61		93		125
	30		62		94		126
	31		63		95		127

Switch	Address	Switch	Address	Switch	Address	Switch	Address
	128		160		192		224
	129		161		193		225
	130		162		194		226
	131		163		195		227
	132		164		196		228
	133		165		197		229
	134		166		198		230
	135		167		199		231
	136		168		200		232
	137		169		201		233
	138		170		202		234
	139		171		203		235
	140		172		204		236
	141		173		205		237
	142		174		206		238
	143		175		207		239
	144		176		208		240
	145		177		209		241
	146		178		210		242
	147		179		211		243
	148		180		212		244
	149		181		213		245
	150		182		214		246
	151		183		215		247
	152		184		216		248
	153		185		217		249
	154		186		218		250
	155		187		219		251
	156		188		220		252
	157		189		221		253
	158		190		222		254
	159		191		223		255

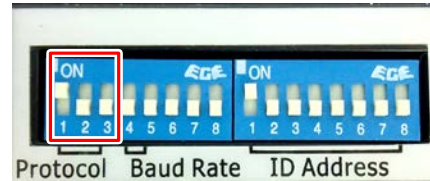
Protocol

The first, second and the third switches on the left are used to set the communication protocol. Please refer to the sticker on the camera main body for setting up the protocol. The supported protocols are listed on the sticker. The default protocol is EVF.

SW1:Protocol, Baud Rate, Video out Format

Protocol	1	2	3	Baud Rate	4	5	Video Out	6	7
Auto (Default)	<input type="checkbox"/>	<input type="checkbox"/>	<input type="checkbox"/>	1200	<input type="checkbox"/>	<input type="checkbox"/>	CVBS/50Hz	<input type="checkbox"/>	<input type="checkbox"/>
EVF EverFocus	<input type="checkbox"/>	<input type="checkbox"/>	<input type="checkbox"/>	2400	<input type="checkbox"/>	<input type="checkbox"/>	CVBS/60Hz	<input type="checkbox"/>	<input type="checkbox"/>
Pelco-D,Plus-D	<input type="checkbox"/>	<input type="checkbox"/>	<input type="checkbox"/>	4800	<input type="checkbox"/>	<input type="checkbox"/>	by OSD	<input type="checkbox"/>	<input type="checkbox"/>
Pelco-P	<input type="checkbox"/>	<input type="checkbox"/>	<input type="checkbox"/>	9600	<input type="checkbox"/>	<input type="checkbox"/>	by OSD	<input type="checkbox"/>	<input type="checkbox"/>
A-Type (Samsung EI.)	<input type="checkbox"/>	<input type="checkbox"/>	<input type="checkbox"/>						
Panasonic	<input type="checkbox"/>	<input type="checkbox"/>	<input type="checkbox"/>						

Sticker on the Camera Main Body



Note: If you switch the three protocol switches to ON, the camera will enter a self-test mode.

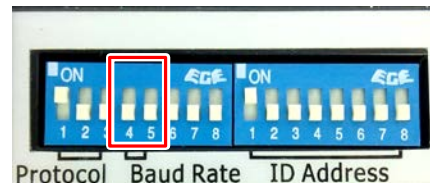
Baud Rate

The fourth and fifth switches on the left are used to set the baud rate (transmission speed). Please refer to the sticker on the camera main body for setting up the baud rate. The default baud rate is 9600.

SW1:Protocol, Baud Rate, Video out Format

Protocol	1	2	3	Baud Rate	4	5	Video Out	6	7
Auto (Default)	<input type="checkbox"/>	<input type="checkbox"/>	<input type="checkbox"/>	1200	<input type="checkbox"/>	<input type="checkbox"/>	CVBS/50Hz	<input type="checkbox"/>	<input type="checkbox"/>
EVF EverFocus	<input type="checkbox"/>	<input type="checkbox"/>	<input type="checkbox"/>	2400	<input type="checkbox"/>	<input type="checkbox"/>	CVBS/60Hz	<input type="checkbox"/>	<input type="checkbox"/>
Pelco-D,Plus-D	<input type="checkbox"/>	<input type="checkbox"/>	<input type="checkbox"/>	4800	<input type="checkbox"/>	<input type="checkbox"/>	by OSD	<input type="checkbox"/>	<input type="checkbox"/>
Pelco-P	<input type="checkbox"/>	<input type="checkbox"/>	<input type="checkbox"/>	9600	<input type="checkbox"/>	<input type="checkbox"/>	by OSD	<input type="checkbox"/>	<input type="checkbox"/>
A-Type (Samsung EI.)	<input type="checkbox"/>	<input type="checkbox"/>	<input type="checkbox"/>						
Panasonic	<input type="checkbox"/>	<input type="checkbox"/>	<input type="checkbox"/>						

Sticker on the Camera Main Body



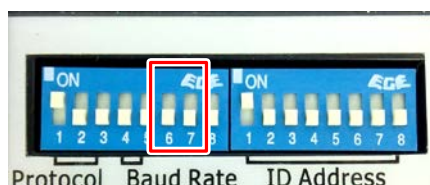
Video Output Format

The sixth and seventh switches on the left are used to set the video output format. Please refer to the sticker on the camera main body for setting up the video output format. The default video output format is by OSD (OFF/OFF).

SW1:Protocol, Baud Rate, Video out Format

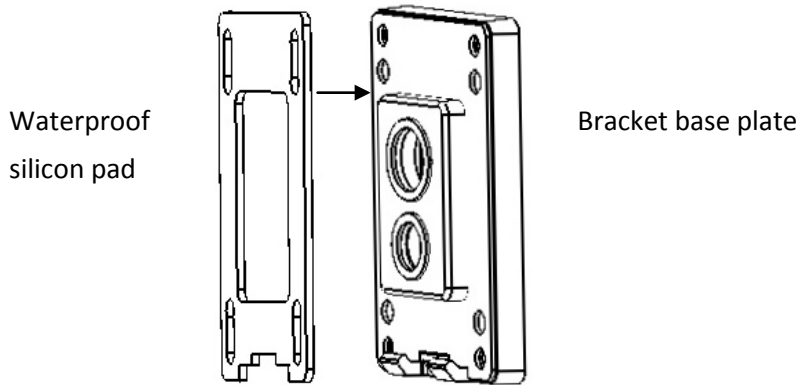
Protocol	1	2	3	Baud Rate	4	5	Video Out	6	7
Auto (Default)	<input type="checkbox"/>	<input type="checkbox"/>	<input type="checkbox"/>	1200	<input type="checkbox"/>	<input type="checkbox"/>	CVBS/50Hz	<input type="checkbox"/>	<input type="checkbox"/>
EVF EverFocus	<input type="checkbox"/>	<input type="checkbox"/>	<input type="checkbox"/>	2400	<input type="checkbox"/>	<input type="checkbox"/>	CVBS/60Hz	<input type="checkbox"/>	<input type="checkbox"/>
Pelco-D,Plus-D	<input type="checkbox"/>	<input type="checkbox"/>	<input type="checkbox"/>	4800	<input type="checkbox"/>	<input type="checkbox"/>	by OSD	<input type="checkbox"/>	<input type="checkbox"/>
Pelco-P	<input type="checkbox"/>	<input type="checkbox"/>	<input type="checkbox"/>	9600	<input type="checkbox"/>	<input type="checkbox"/>	by OSD	<input type="checkbox"/>	<input type="checkbox"/>
A-Type (Samsung EI.)	<input type="checkbox"/>	<input type="checkbox"/>	<input type="checkbox"/>						
Panasonic	<input type="checkbox"/>	<input type="checkbox"/>	<input type="checkbox"/>						

Sticker on the Camera Main Body

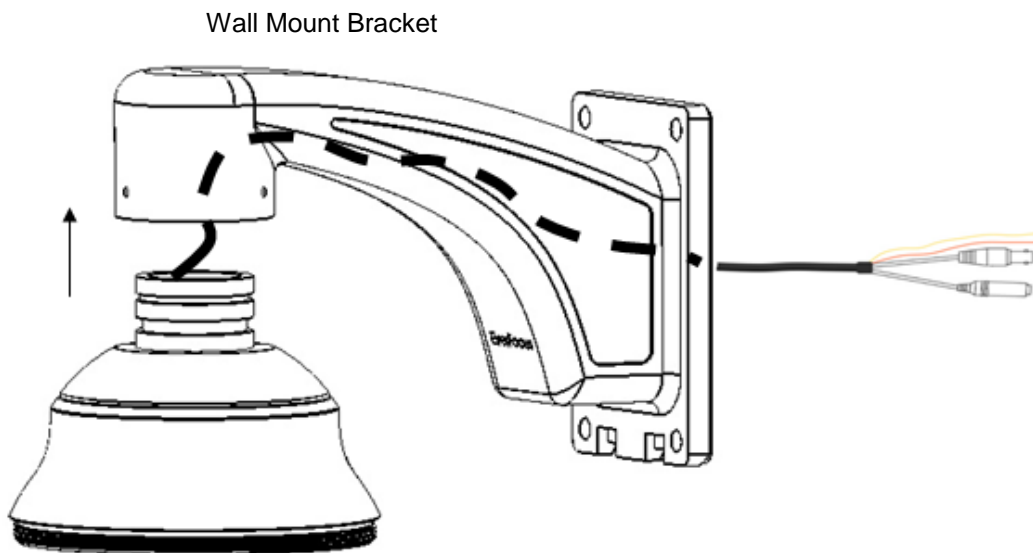


3.5.4 Wall-Mount Installation

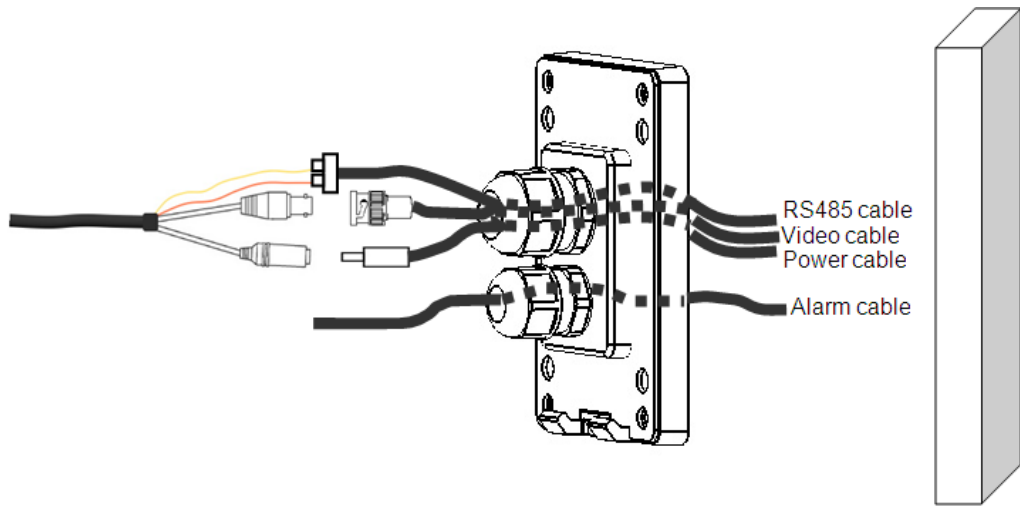
1. Drill 4 screw-depth holes for mounting the bracket base plate and then drill a through-wall hole for inserting the camera cables. You can optionally drill a second through-wall hole to separate cable feeding (see **Step 3**).
2. Attach the waterproof silicon pad to the bracket base plate for waterproofing.



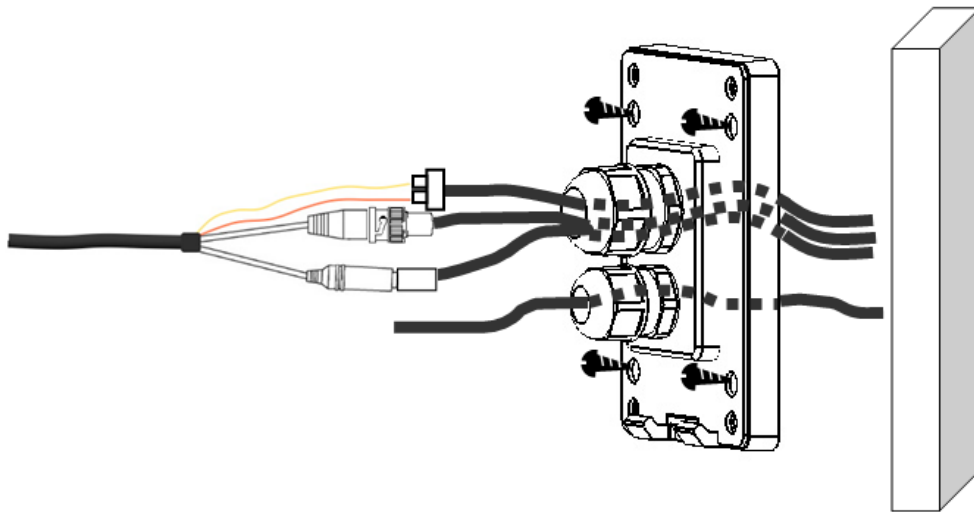
3. Feed the camera's cables through the conduit in the wall mount bracket.



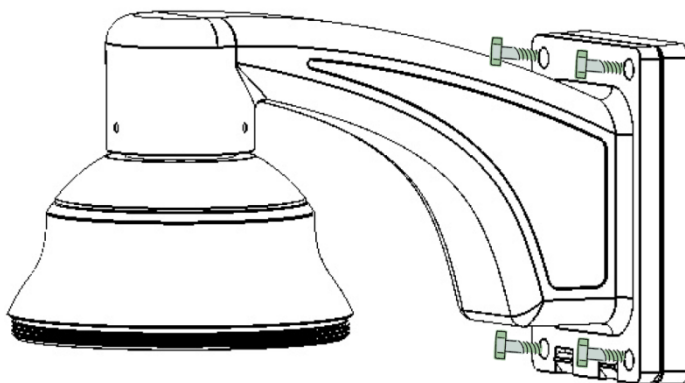
4. Connect the RS-485, video and power cables through the top hole of the base board. If necessary, connect the alarm cable as well using the bottom hole.



5. Screw the bracket base to the wall using the 4 screws.



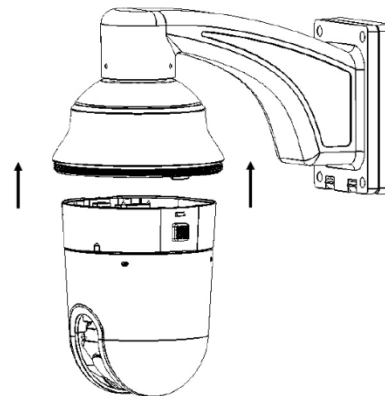
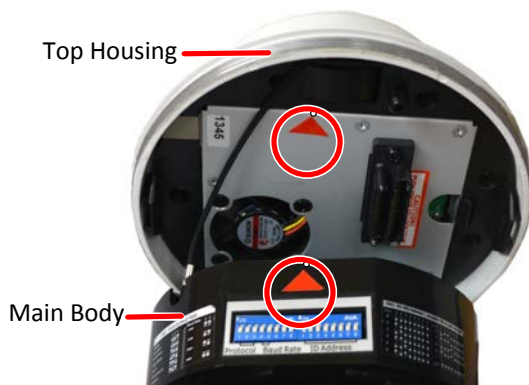
6. Screw the wall mount bracket to the bracket base using the 4 long screws.



- Put on the supplied gloves before pushing upward the main body into the top housing. Draw out the provided rope from the housing and hook it on the rope attachment hook of the main body.



- Make sure the red triangle ▲ on the inside of the top housing lines up with the red triangle on the outside of the main body. Push the main body upward into the top housing until the orange catches on both sides click into position.



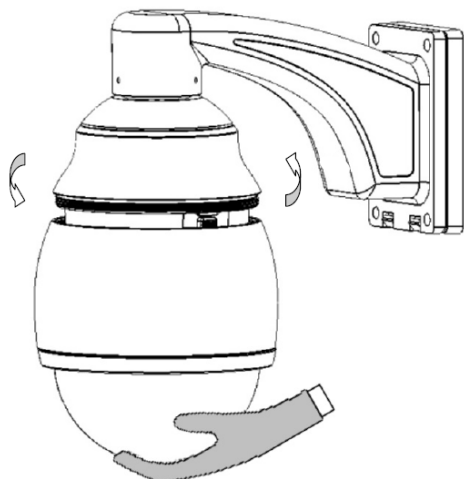
Note:

- To release the main body, press the two orange release buttons on both sides. Make sure you are holding the main body firmly, otherwise it will fall down.



- To protect the glass dome from getting dirty and scraped up, please put on the supplied gloves before installing.

- Screw the housing cover to the top housing slowly by twisting it clockwise.



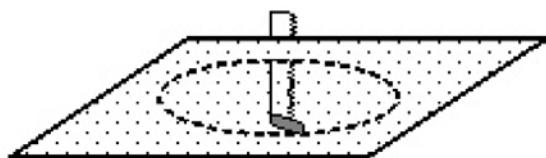
Note: When you turn on the power, the camera will enter self-inspection mode and run a self-testing program. Once this is complete, you will be able to operate it via EKB500 or other control device.

3.5.5 Ceiling Mount Installation

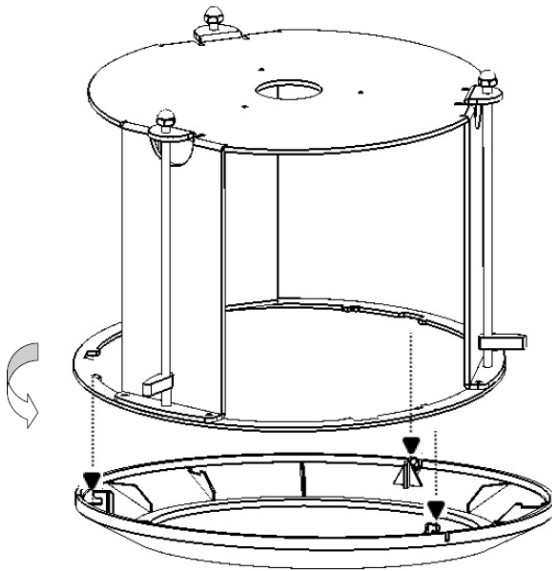
It is required to use the optional In-ceiling Mount Bracket (Recessed Mount Bracket) and Surface Ring to attach the camera to the ceiling for supporting the camera's weight. Make sure the ceiling is strong enough to easily support the weight of the bracket and the camera.



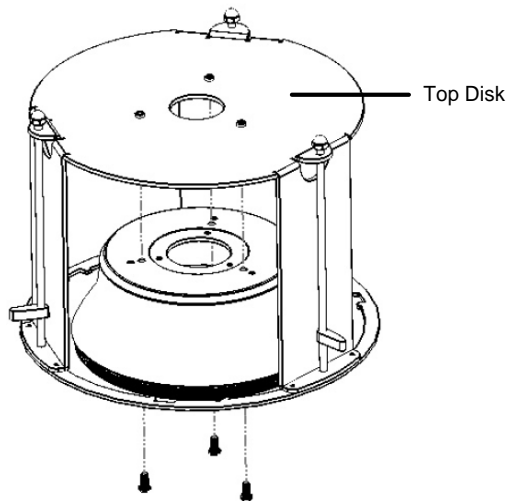
- Replace the desiccant bags inside the top housing. See [3.5.2.1 Replacing the Desiccant Bags](#).
- Cut a hole on the ceiling using the supplied template.



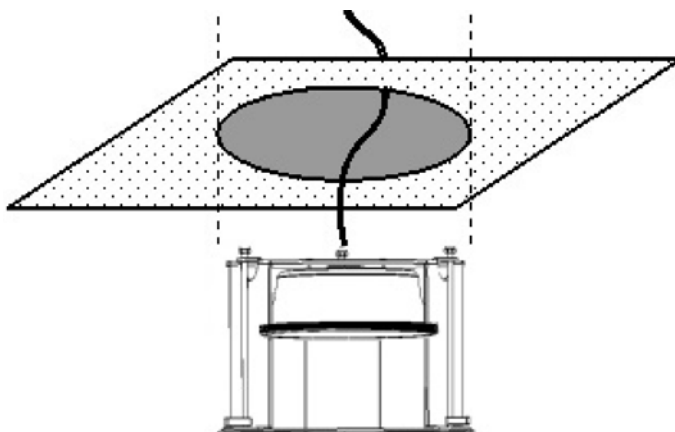
3. Slightly turn the surface ring and remove it from the in-ceiling mount bracket.



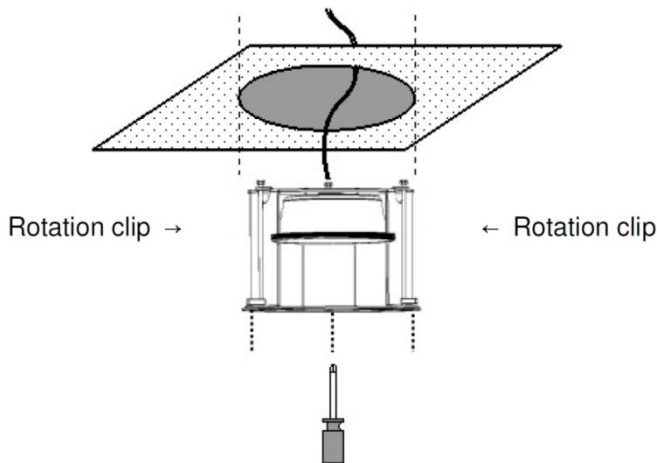
4. Place and then screw the camera's top housing on the top disk of the in-ceiling mount bracket by using the 3 short screws.



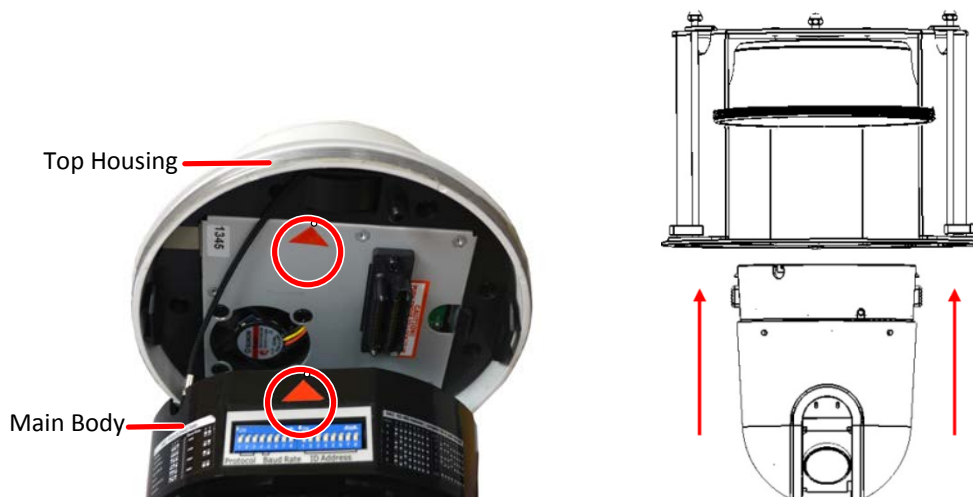
5. Use a cable or other mechanism to hang the in-ceiling mount bracket on the ceiling.



- Screw the 3 rotation clips of the in-ceiling mount bracket on the ceiling using a screwdriver.



- Put on the supplied gloves before pushing upward the main body into the top housing. Draw out the provided rope from the housing and hook it on the rope attachment hook of the main body.
- Make sure the red triangle ▲ on the inside of the top housing lines up with the red triangle on the outside of the main body. Push the main body upward into the top housing until the orange catches on both sides click into position.



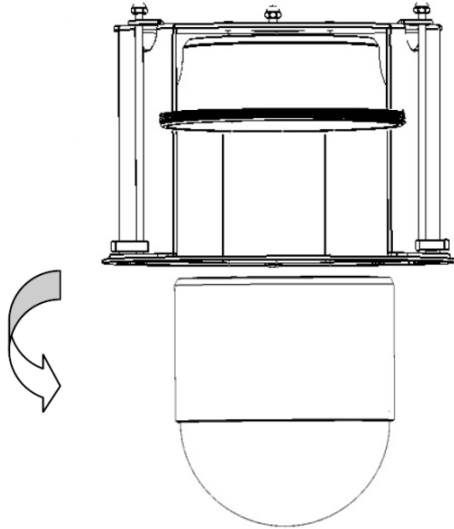
Note:

- To release the main body, press the two orange release buttons on both sides. Make sure you are holding the main body firmly, otherwise it will fall down.

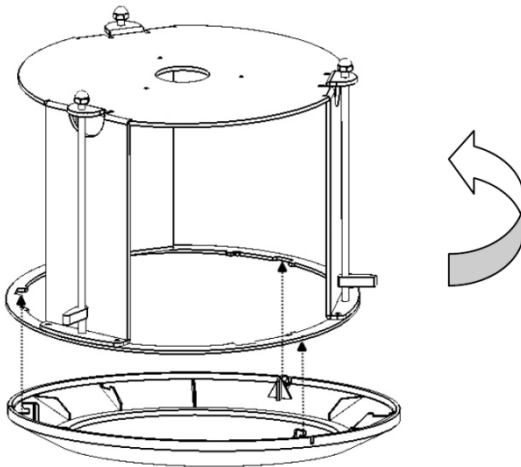


- To protect the glass dome from getting dirty and scraped up, please put on the supplied gloves before installing.

9. Screw the housing cover to the top housing slowly by twisting it clockwise.



10. Slide the surface ring to the fillister and slightly turn it until it is firmly fixed.

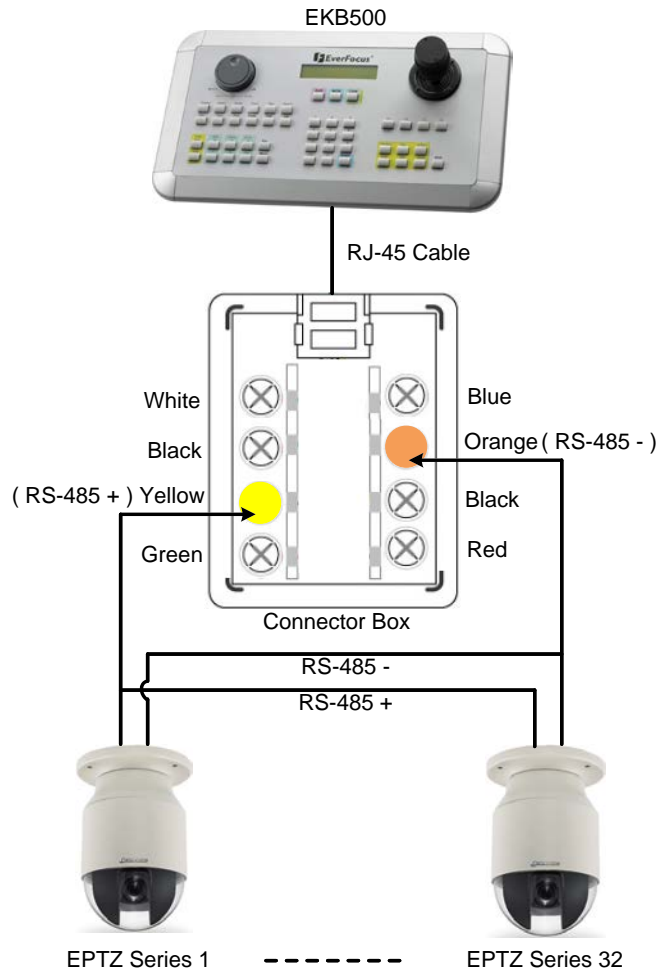


Note: When you turn on the power, the camera will enter self-inspection mode and run a self-testing program. Once this is complete, you will be able to operate it via EKB500 or other control device.

3.5.6 EKB500 Connection

You can use EKB500 Keyboard to control the EPTZ cameras including the OSD menu setup or PTZ control. Follow the steps below to connect the EKB500 Keyboard to the EPTZ camera.

1. Connect EPTZ camera to EKB500 either using the RS-485 wire or through the connector box.
 - **Through the Connector Box**

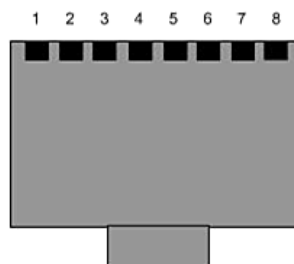


- **Using the RS-485 wire**

EKB500 RS-485 PORTS:

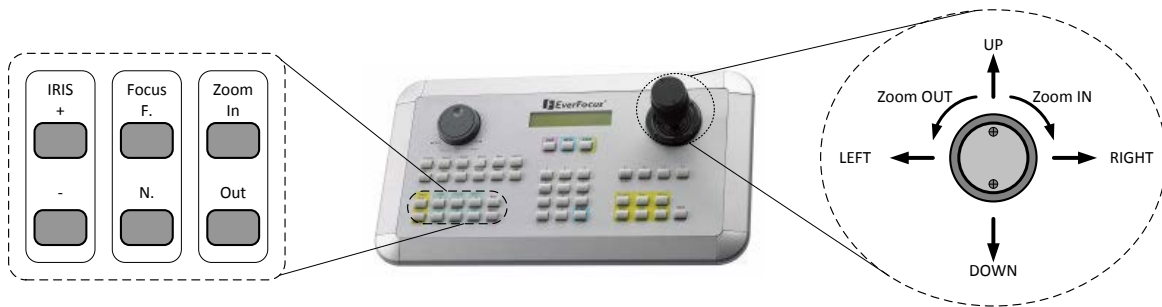
PIN3: RS-485+

PIN6: RS-485-



2. Connect a monitor to the video cable of the EPTZ camera.
3. Connect the power to EKB500 (12 VDC), and the power to EPTZ camera (24 VAC~).

After complete the above connection, you can start operating EPTZ camera with EKB500 Keyboard:



1. Move the Joystick up / down / left / right to shift the camera view in that direction.
2. Twist the top of the Joystick to zoom in / out.
3. Press the **Zoom In / Out**, **Focus F. / N.** or **IRIS + / -** to manually operate these functions.
4. To enter the OSD menu of the EPTZ camera, press both of the **Menu** and **CAM** keys at the same time.

For details on setting up the EPTZ functions using the EKB500 Keyboard, please refer to [A. Setting-up and Operating EPTZ Camera Function Using EKB500](#) in Appendix.

4. Configuration in the OSD Menu

You can use the keyboard to configure camera settings in the OSD menu.

Note: The controls described in this chapter are based on using the EKB500 Keyboard. For EKB500 connection and operation, please refer to [3.5.5 EKB500 Connection](#).

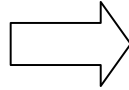
Press the **Menu** and **CAM** keys on the EKB500 Keyboard at the same time to enter the OSD root menu. Move the Joystick left / right to enter the sub-menu.

VIDEO SETTINGS
POSITIONS
OSD/AREAS
AUTO MODES
ALARM
PRIVATE ZONES
SYSTEM
INFO
EXIT

4.1 Video Settings

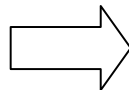
In main menu, turn joystick up / down to select VIDEO SETTINGS. Turn joystick left / right to enter VIDEO SETTINGS sub-menu.

VIDEO SETTINGS
POSITIONS
OSD/AREAS
AUTO MODES
ALARM
PRIVATE ZONES
SYSTEM
INFO
EXIT



EXPOSURE &	
FOCUS MODE	ONE PUSH
DIG. ZOOM	ON
BACKLIGHT	OFF
DAY/NIGHT	AUTO&
NEGATIVE	OFF
COLOR	ON
HLC	OFF
WB	AUTO
NEXT PAGE	
EXIT	

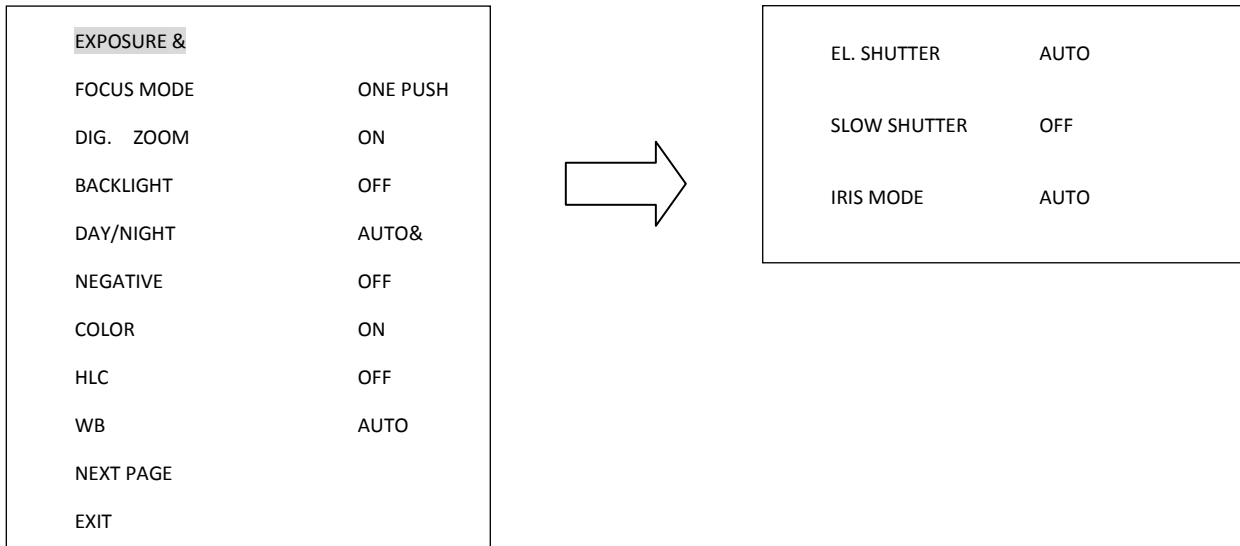
EXPOSURE &	
FOCUS MODE	ONE PUSH
DIG. ZOOM	ON
BACKLIGHT	OFF
DAY/NIGHT	AUTO&
NEGATIVE	OFF
COLOR	ON
HLC	OFF
WB	AUTO
NEXT PAGE	
EXIT	



WDR	OFF
DEFOG	OFF
MIRROR	OFF
E-FLIP	OFF
STABLEZOOM	OFF
NOISE REDUCTION	OFF
HIGH SENSITIVITY	OFF
PREVIOUS PAGE	
EXIT	

EXPOSURE

In EXPOSURE menu, there is a sub-menu. Press **Enter** or **IRIS+** key, or turn joystick left / right to enter EXPOSURE sub-menu.



- **EL.SHUTTER:** Select electronic shutter mode from the options of the menu. The options for NTSC / PAL are listed below.

NTSC (sec.)	AUTO	A.FLK	1/60	1/30	1/15	1/8	1/4	1/2	1/1	1/10000	1/6000	1/4000
	1/3000	1/2000	1/1500	1/1000	1/725	1/500	1/350	1/250	1/180	1/125	1/100	1/90
PAL (sec.)	AUTO	A.FLK	1/50	1/25	1/12	1/6	1/3	1/2	1/1	1/10000	1/6000	1/3500
	1/2500	1/1750	1/1250	1/1000	1/600	1/425	1/300	1/215	1/150	1/120	1/100	1/75

AUTO: Auto electrical shutter.

A.FLK: Anti-Flicker. Camera will auto adjust the shutter to reduce the flicker caused by fluorescent light.

1/60 (1/50): Default manual shutter, 1/60 (1/50) sec shutter.

- **SLOW SHUTTER:** Slow electronic shutter. In order to enhance the view in the low lux environment, slow shutter allows more light to go through the shutter. Select from AUTO and OFF.

AUTO: Auto Slow Shutter.

OFF: Disable Slow Shutter function.

- **IRIS MODE:**

MANUAL: The brightness of the image can be adjusted manually.

AUTO: The brightness of the image signal will adjust automatically depending on the amount of light.

NOTE: If IRIS MODE is MANUAL, BACKLIGHT will be disabled.

- **AE SPEED:** If you select AUTO in slow shutter, you can set exposure time (move the cursor between 0 ~ 6).

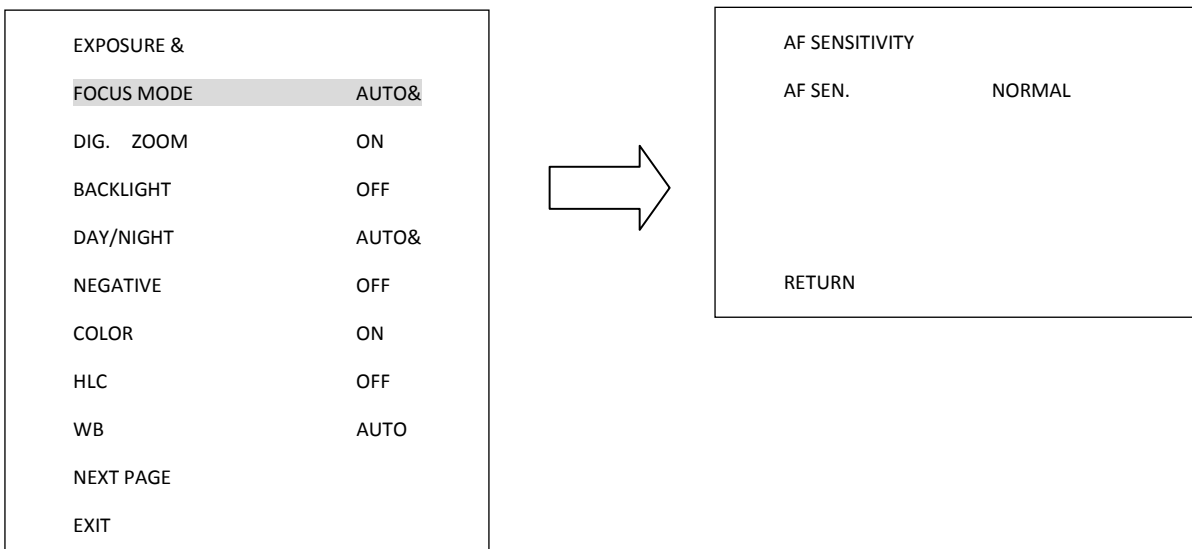
- **EXIT:** Select Exit to save settings and exit from current page.

FOCUS MODE

In Focus mode, we define focus type from **ONE PUSH, AUTO** and **MANUAL**.

- **ONE PUSH:** Enable the one push trigger focus mode. The focus lens holds the same position until the next trigger command is received. This function prevents the wrong focus in dark.
- **AUTO:** Auto focus is enabled. It automatically adjusts the focus position to maximize the high frequency content of the picture in a center measurement area, taking into consideration the high luminance and strong contrast components. You can also specify Auto Focus Sensitivity as NORMAL or LOW by pressing **Enter** or **IRIS+** key to enter AF SENSITIVITY sub-menu.

AF Sensitivity: Switch the Auto Focus Sensitivity to NORMAL to reach the highest focus speed quickly; switch to LOW to improve the stability of the focus.



- **MANUAL:** Enable the manual focus mode.

DIG. ZOOM

Digital zoom enable or disable.

- **ON:** Enable the digital zoom.
- **OFF:** Disable the digital zoom.

BACKLIGHT

This is the function of Back Light Compensation. When the background of subject is too bright, or when the subject is too dark due to shooting in AE mode, back light compensation will make the subject appear clearer.

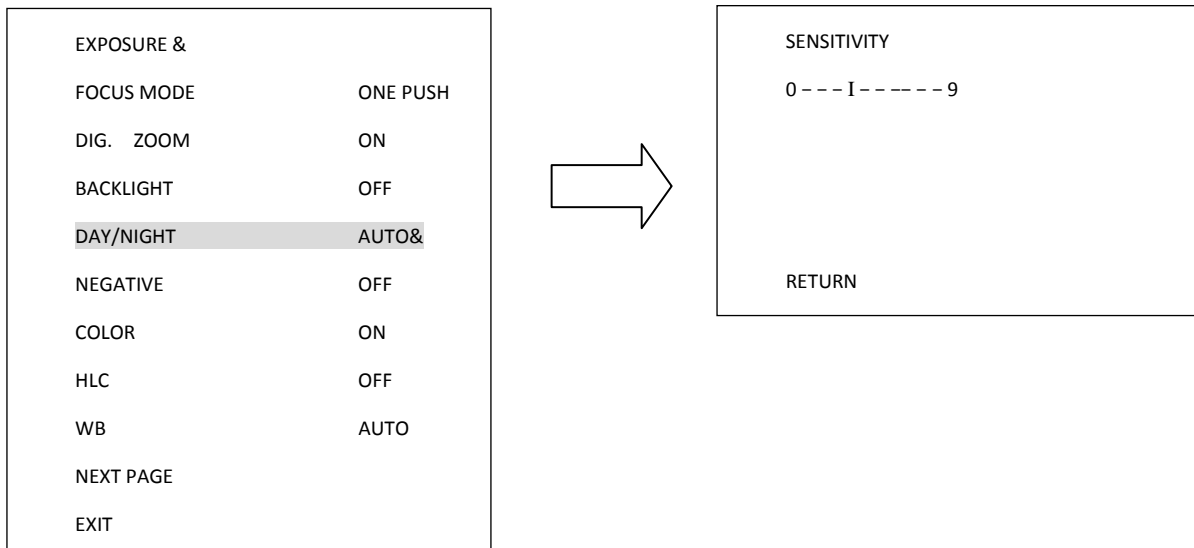
- **ON:** Enable Back Light Compensation.
- **OFF:** Disable Back Light Compensation.

DAY/NIGHT

In Day/Night, we define the ICR (IR Cut-Removable) mode settings. The camera has a built-in infrared (IR) cut-filter which can be disengaged from the image path for increased sensitivity in low light environments. Select from **AUTO**, **DAY** and **NIGHT**.

- **NIGHT:** IR cut filter is always removed (ICR ON).
- **DAY:** IR cut filter is always attached (ICR OFF).
- **AUTO:** Auto Day/Night mode switch. The camera will automatically switch the settings needed for attaching or removing the IR cut filter. At a certain level of darkness, the IR cut-filter will be disabled and increase the infrared sensitivity (ICR ON). At a certain level of brightness, the IR cut-filter will reactivate automatically (ICR OFF). You can also specify Sensitivity between 0 ~ 9 by pressing **Enter** or **IRIS+** key to enter SENSITIVITY sub-menu.

Sensitivity: Move the cursor between 0 ~ 9 to adjust the Auto Day/Night sensitivity.



NEGATIVE

In Negative mode, it will switch ON / OFF the negative art image output. Select from **ON** and **OFF**.

- **ON:** Enable Negative function.
- **OFF:** Disable Negative function.

COLOR

In Color, we define color of the image. Select from **ON** and **OFF**.

- **ON:** Color image.
- **OFF:** B/W image.

HLC

Highlight Compensation is a function to adjust Auto Exposure and Auto Focus, and to perform the masking of light area as required when a high intensity spot light is detected.

- **OFF:** Disable Highlight Compensation function.

- **LOW**: Set Highlight Compensation level to Low.
- **MIDDLE**: Set Highlight Compensation level to Middle.
- **HIGH**: Set Highlight Compensation level to High.

WB

White Balance has the following modes:

- **AUTO**: This mode computed the white balance value output using color information from the entire screen. It outputs the proper value using the color temperature radiating from a black subject based on a range of value from 2500 to 7500K.
- **INDOOR**: 3200 K Base mode.
- **OUTDOOR**: 5800 K Base mode.
- **ATW**: Select to apply the Auto Tracing White Balance mode (2000 to 10000K).
- **ONE PUSH WB**: Select to force the camera to readjust the white balance. Note that the white balance will be readjusted every time you turn the joystick left / right to select ONE PUSH.
- **OUTDOOR AUTO**: This mode allows you to capture images with natural white balance in the morning and evening.
- **SODIUM LAMP AUTO**: This mode is an auto white balance mode that is compatible with sodium vapor lamps
- **SODIUM LAMP**: This mode is a fixed white balance mode specifically for sodium vapor lamps.
- **SODIUM OUT AUTO**: This mode is specifically for outdoors, which is compatible with sodium vapor lamps.

WDR

The Wide Dynamic Range function provides clearer images when both of the very bright and dark areas simultaneously appear on the camera view.

- **ON**: Enable Wide Dynamic Range function.
- **OFF**: Disable Wide Dynamic Range function.

DEFOG

The Defog function makes the subject appear clearer when the surrounding area of the subject is foggy and low contrast.

- **ON**: Enable Defog function.
- **OFF**: Disable Defog function.

MIRROR

The Mirror function reverses the video output from the camera horizontally.

- **ON**: Enable Mirror function.
- **OFF**: Disable Mirror function.

E-FLIP

The E-Flip function reverses the video output from the camera vertically and horizontally.

- **ON:** Enable E-flip function.
- **OFF:** Disable E-flip function.

STABLEZOOM

The Stable Zoom function is for performing correction using the Image Stabilizer function in accordance with the zoom ratio.

- **ON:** Enable Stable Zoom function.
- **OFF:** Disable Stable Zoom function.

NOISE REDUCTION

The Noise Reduction function removes noise to provide clearer images.

- **OFF:** Disable Noise Reduction function.
- **LV5 ~ 1:** Set Noise Reduction to level 5 ~ level1.

HIGH SENSITIVITY

The High Sensitivity function enables to obtain a brighter output even in a darker environment.

- **ON:** Enable High Sensitivity function.
- **OFF:** Disable High Sensitivity function.

NEXT PAGE / PREVIOUS PAGE

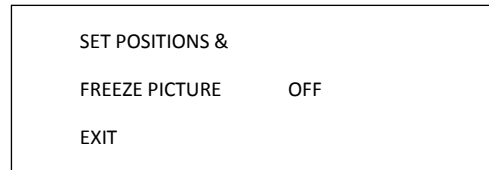
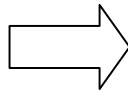
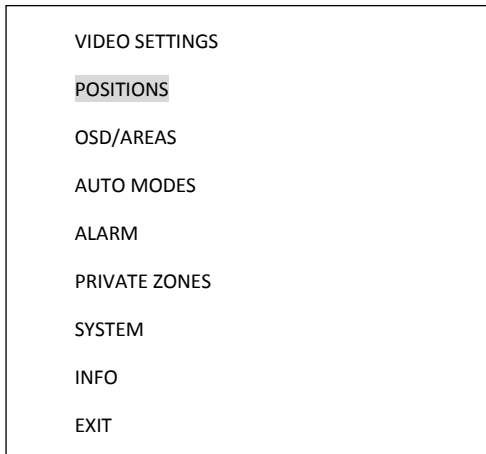
Turn joystick left or right to move to the next or previous page.

EXIT

Select Exit to save settings and exit from current page.

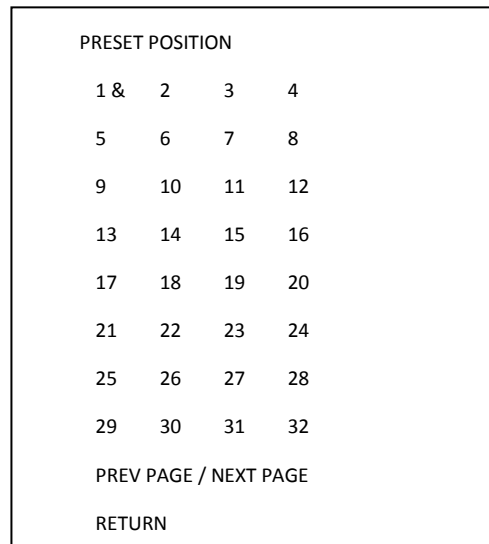
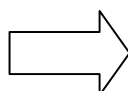
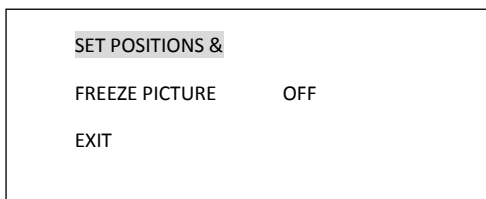
4.2 Positions

In main menu, turn joystick up or down to select POSITION option. Press **Enter** or **IRIS+** key or turn joystick left / right to enter POSITION sub-menu.

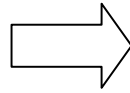


SET POSITIONS

Tilt the joystick left / right to highlight a preset position and press **Enter** or **IRIS+** to select it and go to the PRESET POSITION sub-menu. There are a total of 32 presets per page. Once the position is selected, an ampersand (&) will appear next to the number; press **Enter** or **IRIS+** to configure the position in the sub-sub-menu. When finished, go to RETURN and tilt the joystick left / right to go to the Preset options.



PRESET NO.	1
POSITION	SET &
SPEED	100
DWELL TIME-S	4
FOCUS MODE	MANUAL
WB	AUTO
TITLE	1.H
DEFAULT	OFF
RETURN	



MOVE TO POSITION

IRIS: SAVE AND RETURN

- POSITION:** Select from SET and CLEAR.
SET: Select SET and press **Enter** or **IRIS+** key of keyboard, you will be entered to a sub-menu. Turn the joystick to your desired position. Once the position is confirmed, press **IRIS+** key of keyboard to save setting and return to previous menu. If position is set, there will be a pound sign (£) beside position number.
CLEAR: Select CLEAR and press **Enter** or **IRIS+** key of keyboard, and the POSITION will be cleared. You will automatically go back to the sub-menu of PRESET POSITION.
- SPEED:** Select the speed for the preset position. The value is from 1 to 255 and 255 is the highest speed.
- DWELL TIME-S:** Select the dwell time (in second) for the preset position from 1 to 99.
- FOCUS MODE:** Select focus mode for the preset position from MANUAL, ONE PUSH and AUTO.
- WB:** Select the White Balance for the preset position from AUTO, INDOOR, OUTDOOR, ATW, ONE PUSH WB, OUTDOOR AUTO, SODIUM LAMP AUTO, SODIUM LAMP, SODIUM OUT. or AUTO.
- TITLE:** Enter title name for the preset position. Tilt the joystick up and down to scroll through the characters, then tilt left or right to move to the previous / next position. When finished, move the last digit and tilt the joystick right to return to previous screen.
- DEFAULT:** Select ON to set the preset position to default value.

FREEZE PICTURE

Image will stop at the previous position until the next position is reached.

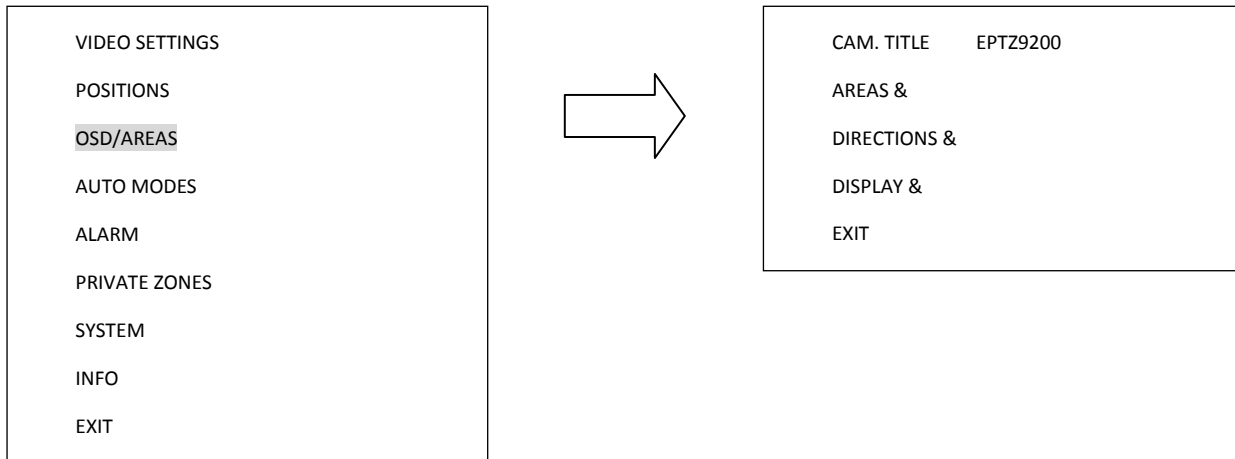
- ON:** Freeze picture.
- OFF:** Disable Freeze picture function.

EXIT

Select Exit to save settings and exit from current page.

4.3 OSD/Areas

In main menu, turn joystick up or down to select OSD/AREAS. Turn joystick left or right to enter OSD/AREAS sub-menu.

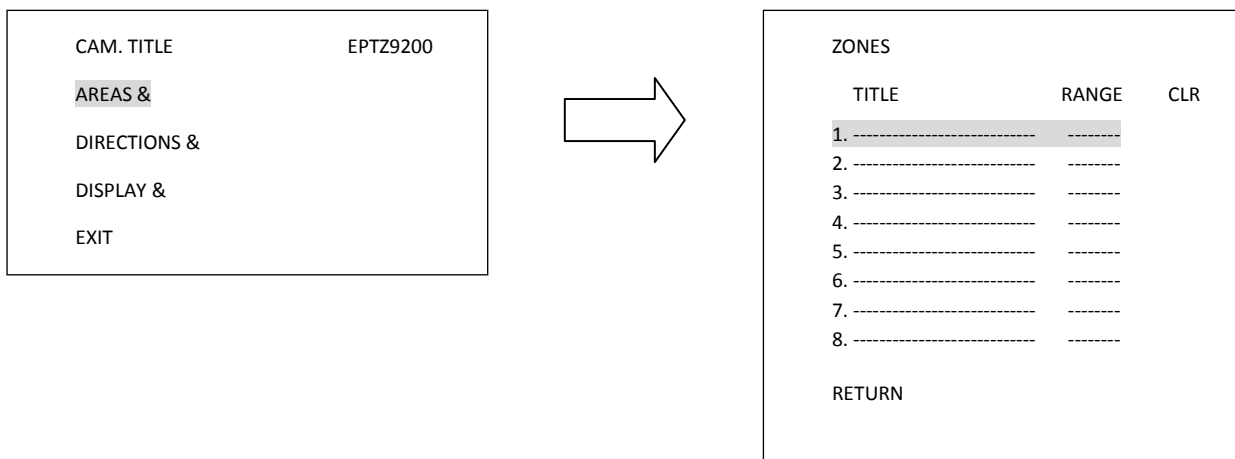


CAM. TITLE

Enter the title name for the camera, up to a maximum of 8 characters. Tilt the joystick up and down to scroll through the characters, and tilt left or right to move to the previous / next position. When finished, move the last digit and tilt the joystick right to return to previous screen.

AREAS

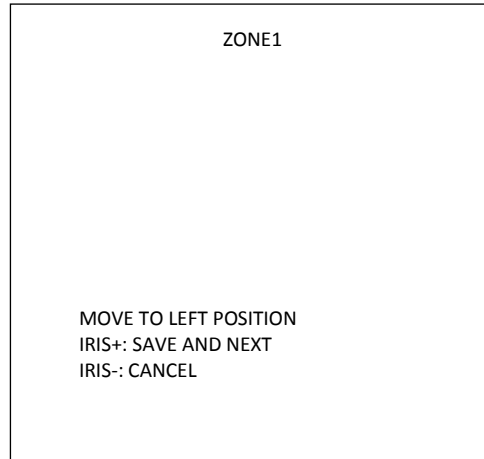
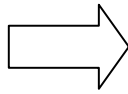
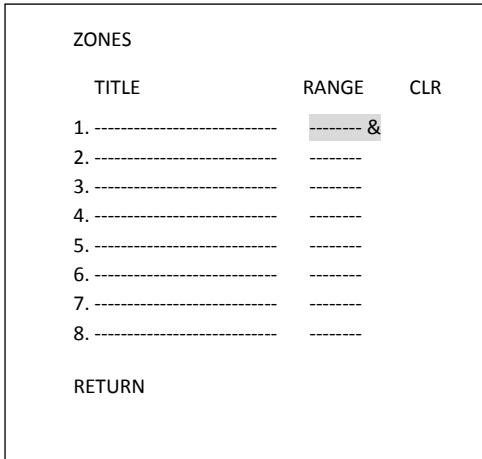
Press **Enter**, **IRIS+** key of keyboard or turn joystick left / right to enter AREAS sub-menu.



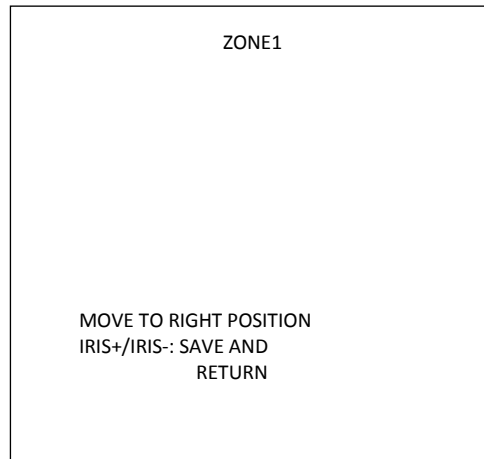
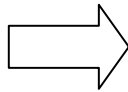
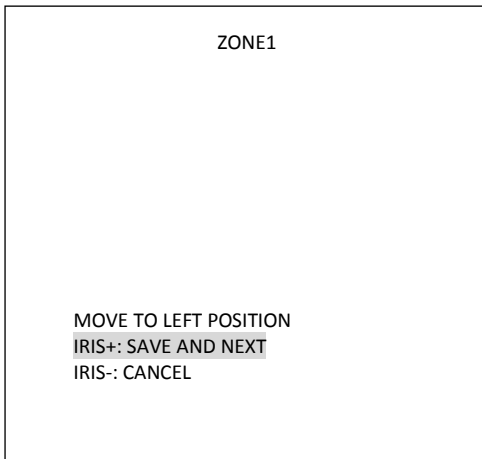
In zone menu, you can set a zone and name it, when the speed dome turns to the zone you set, it will display zone name on the screen (only if “OSD/AREAS -> Display -> Zone” is set as “YES”).

Tilt the joystick up and down to scroll through the characters, then tilt left or right to move to the previous / next position. There is a pound sign (£) to indicate the current option.

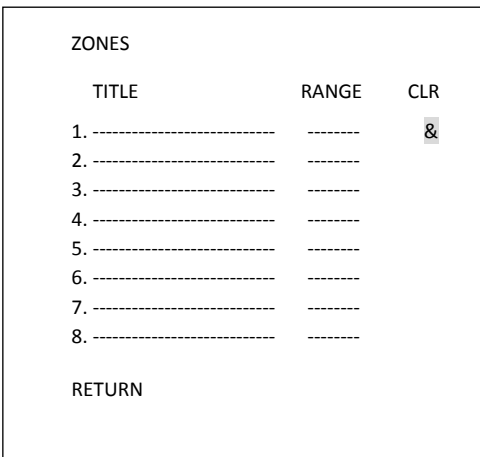
When finished, tilt the joystick right to go to "Range" section, and press **Enter** or **IRIS+** key to enter Range sub-menu. Use the joystick to move speed dome to its left position. Press **IRIS+** key to save left position setting and go to next step or press **IRIS-** to cancel.



Use the joystick to move speed dome to its right position. Press **IRIS+** or **IRIS-** key to save and return.

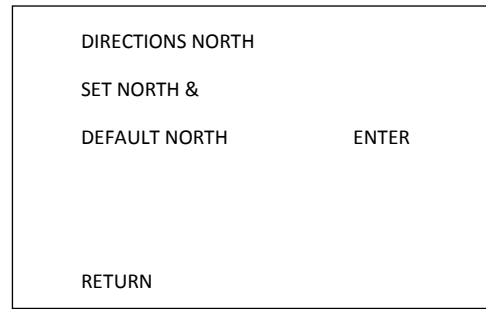
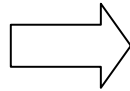


Tilt the joystick right or left to highlight the current zone or tilt up / down to select a different zone. If you wish to clear the zone you have set, go to "CLR" and press **Enter** or **IRIS+** key.

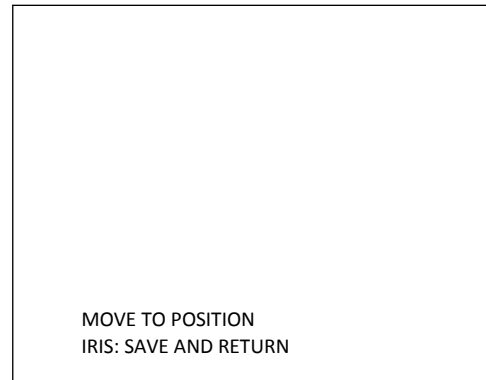
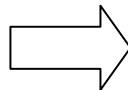
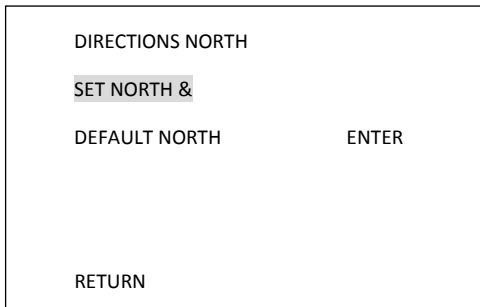


DIRECTIONS

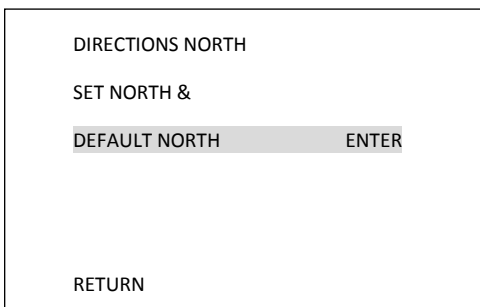
Press **Enter**, **IRIS+** key of keyboard or turn joystick left / right to enter DIRECTIONS sub-menu.



1. Press **Enter** key of keyboard or turn joystick left / right to enter SET NORTH position menu.



2. Move the joystick to North position.
3. Press **IRIS+** or **IRIS-** key of keyboard to save and return.
4. Go to **DEFAULT NORTH** and press **Enter** or **IRIS+** key to set the north position as default north position.

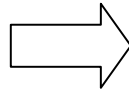


5. Go to Return and turn joystick left / right to return to previous menu.

DISPLAY

Press **Enter**, **IRIS+** key of keyboard or turn joystick left / right to enter DISPLAY sub-menu.

CAM. TITLE	EPTZ9200
AREAS &	
DIRECTIONS &	
DISPLAY &	
EXIT	



SHOW OSD	ON

DIRECTIONS	NO
CAMERA TITLE	NO
ZONES	NO
PRESET TITLE	YES
ZOOM	NO
FAN	NO
MOTION	NO
RETURN	

- **SHOW OSD:**

ON: Show OSD of Camera Title, Directions, Zones, Preset Title, Motion, Zoom and Fan.

2 SEC: Show OSD for 2 seconds.

5 SEC: Show OSD for 5 seconds.

10 SEC: Show OSD for 10 seconds.

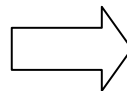
OFF: Do not show OSD.

- **DIRECTIONS:**

YES: Adjust to show directions or azimuth by pressing **Enter** or **IRIS+** key to enter the sub-menu.

SHOW OSD	ON

DIRECTIONS	YES &
CAMERA TITLE	NO
ZONES	NO
PRESET TITLE	YES
ZOOM	NO
FAN	NO
MOTION	NO
RETURN	



DIRECTIONS	
SHOW DIRECTIONS	YES
SHOW AZIMUTH	YES

NO: Do not show directions.

- **CAMERA TITLE:**

YES: Show camera title.

NO: Do not show camera title.

- **ZONES:**

YES: Show zones.

NO: Do not show zones.

- **PRESET TITLE:**

YES: Show preset title.

NO: Do not show preset title.

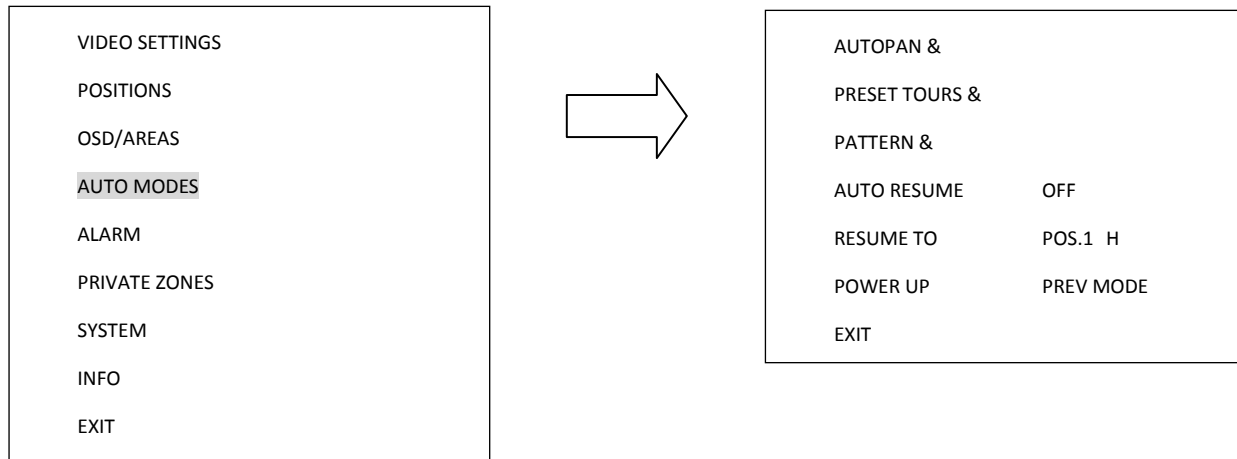
- **ZOOM:**
YES: Show zoom multiple when zoom in or zoom out.
NO: Do not show zoom multiple.
- **FAN:**
YES: Show fan indication when fan is enabled.
NO: Do not show fan indication.
- **MOTION:**
YES: Show motion message when a motion occurs.
NO: Do not show motion message when a motion occurs.
- **RETURN:**
 Turn joystick Left/Right to return to previous menu.

EXIT

Select Exit to save settings and exit from current page.

4.4 Auto Modes

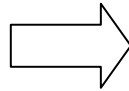
In main menu, turn joystick up / down to select AUTO MODES. Turn joystick left / right to enter AUTO MODES sub-menu.



AUTOPAN

Press **Enter** or **IRIS+** key of keyboard or turn joystick left / right to enter AUTOPAN sub-menu.

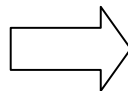
AUTOPAN &	
PRESET TOURS &	
PATTERN &	
AUTO RESUME	OFF
RESUME TO	POS.1 H
POWER UP	PREV MODE
EXIT	



AUTOPAN	
ENDLESS MODE	ON
SPEED	32
DWELL TIME L-S	4
DWELL TIME R-S	4
SET LEFT POS. &	EMP
SET RIGHT POS. &	EMP
DEFAULT	ON
RETURN	

- ENDLESS MODE:**
ON: Enable endless mode. The speed dome will perform 360 degree endless auto-pan.
OFF: Disable endless mode. The speed dome will perform auto-pan between position left and position right.
- SPEED:**
 Select speed from 1~255 and 255 is the highest speed.
- DWELL TIME L-S:**
 Select dwell time of the left position from 1~99 seconds.
- DWELL TIME R-S:**
 Select dwell time of the right position from 1~99 seconds.
- SET LEFT POS.:**
 Press **Enter** or **IRIS+** key or turn the joystick left / right to enter SET LEFT POS. menu. Turn the joystick to the position where you wish to set LEFT position. Press **IRIS+** or **IRIS-** key of keyboard to save setting and return to previous menu. **EMP** (EMPTY) means the position has not been set.

AUTOPAN	
ENDLESS MODE	ON
SPEED	32
DWELL TIME L-S	4
DWELL TIME R-S	4
SET LEFT POS. &	EMP
SET RIGHT POS. &	EMP
DEFAULT	ON
RETURN	



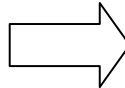
MOVE TO POSITION	
IRIS: SAVE AND RETURN	

• **SET RIGHT POS.:**

Press **Enter** or **IRIS+** key or turn the joystick left / right to enter SET RIGHT POS. menu. Turn the joystick to the position where you wish to set RIGHT position. Press **IRIS+** or **IRIS-** key of keyboard to save setting and return to previous menu. **EMP** (EMPTY) means the position has not been set.

Note: When LEFT / RIGHT Position are set, the speed dome will patrol between each position.

AUTOPAN	
ENDLESS MODE	ON
SPEED	32
DWELL TIME L-S	4
DWELL TIME R-S	4
SET LEFT POS. &	EMP
SET RIGHT POS. &	EMP
DEFAULT	ON
RETURN	



MOVE TO POSITION
IRIS: SAVE AND RETURN

• **DEFAULT:**

All settings in AUTOPAN menu will be returned to default values.

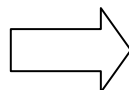
• **RETURN:**

Turn joystick left / right to return to previous menu.

PRESET TOURS

Press Enter key or turn the joystick left / right to enter PRESET TOURS sub-menu. There is a pound sign (£) to indicate the current option.

AUTOPAN &	
PRESET TOURS &	
PATTERN &	
AUTO RESUME	OFF
RESUME TO	POS.1 H
POWER UP	PREV MODE
EXIT	



TOUR NO.	1	£	
POS	DWELL	SPEED	
1 PRE1 &	DEFAULT	DEFAULT	
2 PRE2 &	DEFAULT	DEFAULT	
3 PRE3 &	DEFAULT	DEFAULT	
4 PRE4 &	DEFAULT	DEFAULT	
5 PRE5 &	DEFAULT	DEFAULT	
6 PRE6 &	DEFAULT	DEFAULT	
7 PRE7 &	DEFAULT	DEFAULT	
PREV PAGE/NEXT PAGE			
RETURN			

1. **Tour NO.:** Turn the joystick left / right to select tour number first. When finished, move the joystick up to select preset position.
2. **POS:** Turn the joystick left / right to select preset position. Max. 16 positions can be set for a tour. Press **Enter** or **IRIS+** key of keyboard to go next setting.
3. **DWELL:** Turn the joystick up / down to set dwell time of the tour from 1 ~ 99 sec or default.
4. **SPEED:** Turn the joystick right after setting dwell time. Turn the joystick up or down to select tour speed from 1 ~ 255 or default. Press **Enter** or **IRIS+** key when you finish Tour setting of preset position.
5. **PREV PAGE/NEXT PAGE:** Turn the joystick left to go previous page or turn joystick right to go next page.
6. **LOAD DEFAULT TOUR:** Press **Enter** or **IRIS+** key and all settings in PRESET TOURS sub-menu will be returned to default values.

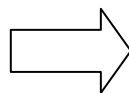
TOUR NO.	1		
POS	DWELL	SPEED	
15 PRE15 &	DEFAULT	DEFAULT	
16 PRE16 &	DEFAULT	DEFAULT	
LOAD DEFAULT TOUR&			
PREV PAGE/NEXT PAGE			
RETURN			

7. **RETURN:** Turn joystick left / right to return to previous menu.

PATTERN

Press **Enter** or **IRIS+** key of keyboard to enter PATTERN sub-menu. Note that the Pattern function can only be set up using EverFocus' EKB500 keyboard. You can then operate the Pattern function through the DVR or EKB500 Keyboard.

AUTOPAN &	
PRESET TOURS &	
PATTERN &	
AUTO RESUME	OFF
RESUME TO	POS.1 H
POWER UP	PREV MODE
EXIT	

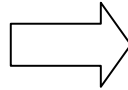


PATTERN SET UP		
PATTERN	DURATION	ACT
PAT1	---	PLAY
PAT2	---	PLAY
PAT3	---	PLAY
PAT4	---	PLAY
RETURN		

1. **PAT:** Turn the joystick up or down to select pattern number.
2. Turn the joystick left or right to select action mode, either **PLAY**, **SET** or **CLR** (CLEAR).

3. Select **SET** and press **Enter** or **IRIS+** key of keyboard to enter the sub-menu.

PATTERN	SET UP	
PATTERN	DURATION	ACT
PAT1	---	SET &
PAT2	---	PLAY
PAT3	---	PLAY
PAT4	---	PLAY
RETURN		



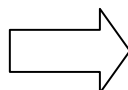
PATTERN 1
RECORD MODE
90
IRIS+ / ENTER: SAVE AND RETURN
IRIS-: CANCEL

4. Turn the joystick to record the tour you wish to set. Press **Enter** or **IRIS+** when you finish setting pattern tour. Press **IRIS-** if you wish to cancel this action. At duration column of PATTERN SETUP menu, you will see the duration time of pattern you set.

PATTERN	SET UP	
PATTERN	DURATION	ACT
PAT1	20S	SET &
PAT2	---	PLAY
PAT3	---	PLAY
PAT4	---	PLAY
RETURN		

5. When you return to PATTERN SETUP menu, turn the joystick left / right to PLAY. Press **Enter** or **IRIS+** key of keyboard. The camera starts to run the pattern tour you set. The camera keeps playing the pattern until you press **IRIS-** to cancel playing and it will return to PATTERN SETUP menu.

PATTERN SETUP		
PATTERN	DURATION	ACTION
PAT1	20S	PLAY
PAT2	---	PLAY
PAT3	---	PLAY
PAT4	---	PLAY
RETURN		



PATTERN 1
PLAY MODE
15S REMAIN 5

6. **CLR (CLEAR)**: Go to “CLR” and press **Enter** or **IRIS+** key to clear the pattern you have set.
 7. **RETURN**: Turn joystick left / right to return to previous menu.

AUTO RESUME

Return to previous mode, if no action for a period.

Turn the joystick left / right to set AUTO RESUME. Auto Resume is selectable from OFF, After 30 sec, After 1 min, after 5 min, After 10 min, After 30 min and After 60 min. After this period of time, speed dome will resume to the mode you set in "RESUME TO". By selecting OFF, this function will be disabled.

AUTOPAN &	
PRESET TOURS &	
PATTERN &	
AUTO RESUME	OFF
RESUME TO	POS.1 H
POWER UP	PREV MODE
EXIT	

RESUME TO

Turn the joystick left / right to select the mode to resume to. It is selectable from POS.1 H, TOUR1, PAT.1, AUTOPAN and PREV MODE.

AUTOPAN &	
PRESET TOURS &	
PATTERN &	
AUTO RESUME	OFF
RESUME TO	POS.1 H
POWER UP	PREV MODE
EXIT	

POWER UP FUNC

Turn the joystick left / right to select the mode to return to when power failure occurs. It is selectable from PREV MODE, OFF, POS.1 H, TOUR1, PAT.1 and AUTOPAN.

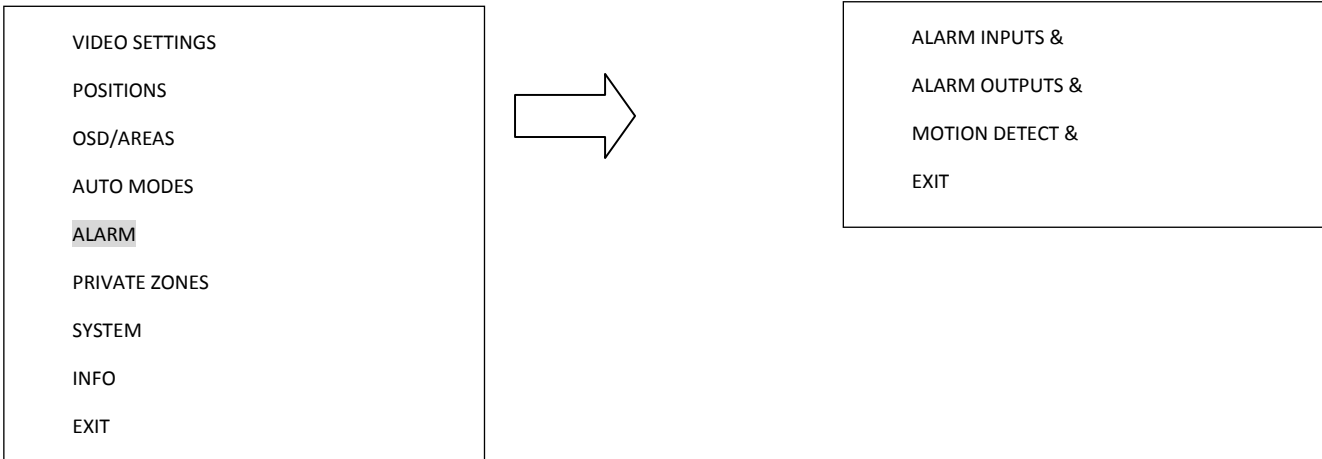
AUTOPAN &	
PRESET TOURS &	
PATTERN &	
AUTO RESUME	OFF
RESUME TO	POS.1 H
POWER UP	PREV MODE
EXIT	

EXIT

Exit from the current menu.

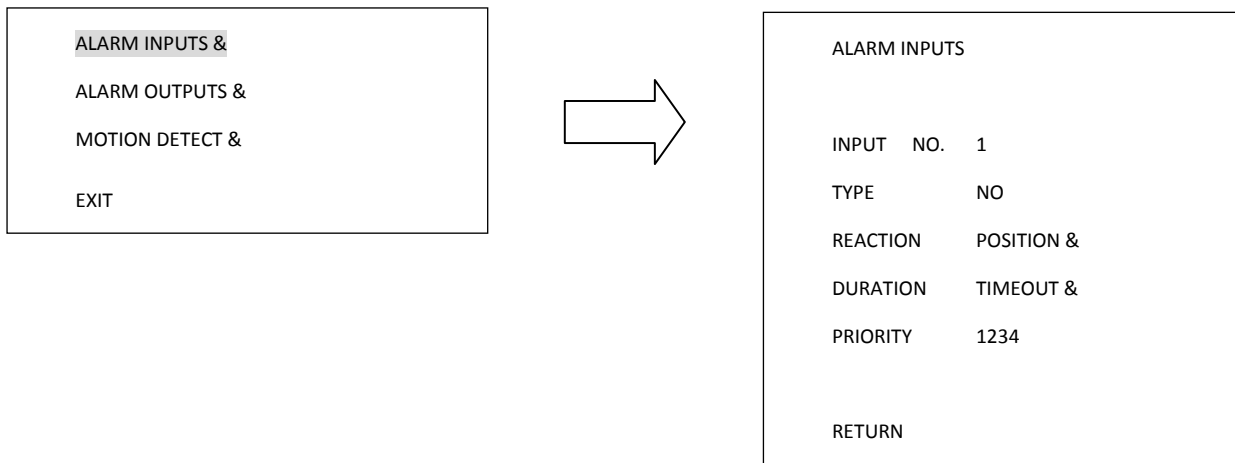
4.5 Alarm

In main menu, turn joystick Up or Down to select ALARM. Turn joystick Left or Right to enter ALARM sub-menu.



ALARM INPUTS

Press Enter or IRIS+ key of keyboard to enter ALARM INPUTS sub-menu.



1. **INPUT NO.:** Go to INPUT NO. selection and turn the joystick left / right to select alarm input number from 1 ~4.
2. **Type:** Select Normal Open (NO), Normal Close (NC), NIGHT NO, NIGHT NC or OFF for alarm type.
 - NO:** Enable a normal open alarm input.
 - NC:** Enable a normal close alarm input.
 - NIGHT NO:** Set camera at night mode with normal open alarm input. When there is event triggered, the camera will be changed to day mode.
 - NIGHT NC:** Set camera at night mode with normal close alarm input. When there is event triggered, the camera will be changed to day mode.
 - OFF:** Disable alarm input.
3. **REACTION:** The action will be taken when alarm is triggered.
 - OFF:** No reaction will be taken when alarm is triggered.

POSITION: When the alarm is triggered, speed dome will go to the preset position. Turn the joystick left / right to select on Position and press **Enter** or **IRIS+** key then turn joystick left / right to select position number. Turn joystick left / right to make selection. It is selectable from 1~192. Press **Enter** or **IRIS+** key again to confirm selection.

PATTERN: When the alarm is triggered, speed dome will run the pattern. Turn the joystick left / right to select on Pattern and press **Enter** or **IRIS+** key then turn joystick left / right to select pattern number. Turn joystick left / right to make selection. It is selectable from 1~4. Press **Enter** or **IRIS+** key again to confirm selection.

TOUR: When the alarm is triggered, speed dome will run the tour. Turn the joystick left / right to select on Tour and press **Enter** or **IRIS+** key then turn joystick left / right to select tour number. Turn joystick left / right to make selection. It is selectable from 1~16. Press **Enter** or **IRIS+** key again to confirm selection.

4. **DURATION:** Duration of alarm input.

TIMEOUT: Turn the joystick left / right to select on TIMEOUT and press **Enter** or **IRIS+** key then turn joystick left / right to select time-out. Time-out is selectable from 1~99. Press **Enter** or **IRIS+** key again to confirm selection.

LATCHED: Turn the joystick left / right to select on LATCHED. The alarm output will not stop until there is any operation on keyboard.

TRANSPARENT: Turn the joystick left / right to select on TRANSPARENT. The alarm output will not stop until the alarm is stopped.

5. **PRIORITY:** Turn the joystick left / right to select alarm input priority, it is selectable from 1234, 2341, 3412, 4123.

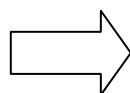
6. **RETURN:** Turn joystick left / right to return to previous menu.

ALARM OUTPUTS

Press **Enter** or **IRIS+** key of keyboard to enter ALARM OUTPUTS sub-menu.

```

ALARM INPUTS &
ALARM OUTPUTS &
MOTION DETECT &
EXIT
    
```



ALARM OUTPUT	TRIGGER
OUTPUT NO. 1	
INPUT1	YES
INPUT2	YES
INPUT3	YES
INPUT4	YES
MOTION	NO
SYSTEM ERROR	NO
REMOTE	NO
RETURN	

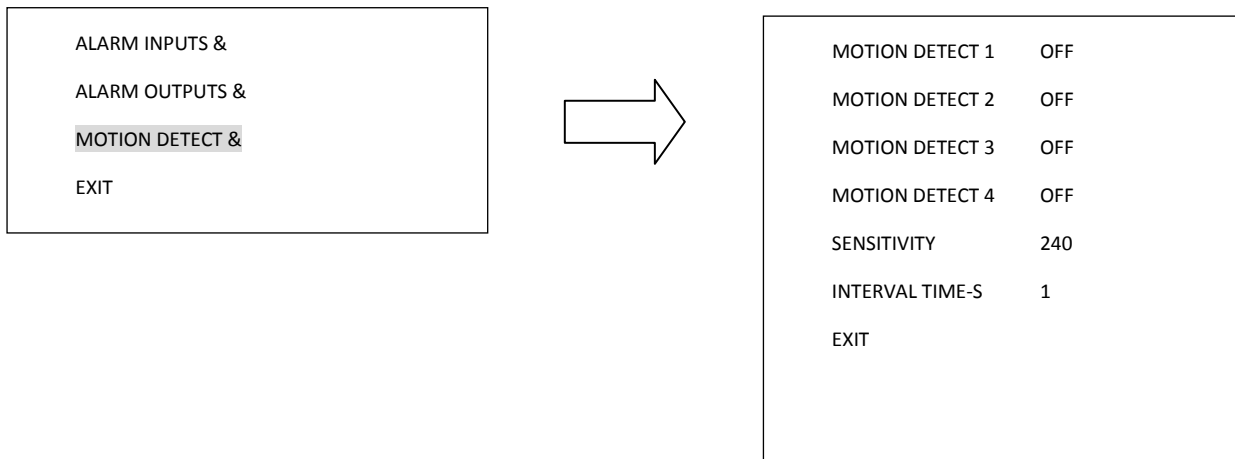
1. **OUTPUT NO.:** Select Output number from 1~2.

2. **INPUT1~4:** Select YES to enable Alarm input 1~4 for the alarm output selected. Select NO to disable Alarm input 1~4.

3. **MOTION:** Select YES to have alarm output triggered when a motion event is detected. Select NO to disable this function.
4. **SYSTEM ERROR:** Select YES to have alarm output triggered when system error occurs. Select NO to disable this function.
5. **REMOTE:** Select YES to have alarm output triggered when RS-485 failure occurs. Select NO to disable this function.
6. **RETURN:** RETURN to the previous menu.

MOTION DETECT

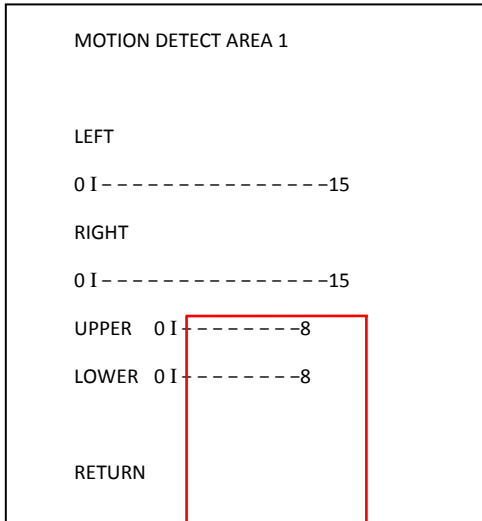
Press **Enter** or **IRIS+** key of keyboard to enter MOTION DETECT sub-menu. You can set 4 motion areas.



1. **MOTION DETECT:** Turn the joystick left / right to select ON for Motion Detection. A window as below pops up.

MOTION DETECT 1	ON &
MOTION DETECT 2	OFF
MOTION DETECT 3	OFF
MOTION DETECT 4	OFF
SENSITIVITY	240
INTERVAL TIME-S	1
EXIT	
-MOTION DETECT INFO-	
M1:	0

2. Press **Enter** or **IRIS+** key to enter Motion Detection Setting. Use the joystick to select motion area.



Turn the joystick up / down to select directions, LEFT, RIGHT, UPPER or LOWER.

Turn the joystick left / right to adjust the value of motion area. (For Left & Right directions, it is selectable from 0 to 15; For Upper & Lower directions, it is selectable from 0 to 8.)

There is a color frame showing you the motion detection area you change. Motion 1 is represented by red, Motion 2 by yellow, Motion 3 by blue and Motion 4 by green.

Press **IRIS+** key to save setting and return to previous menu. Press **IRIS-** to return to previous menu.

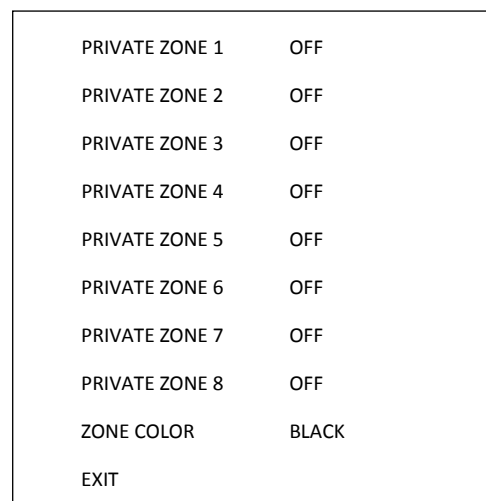
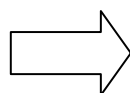
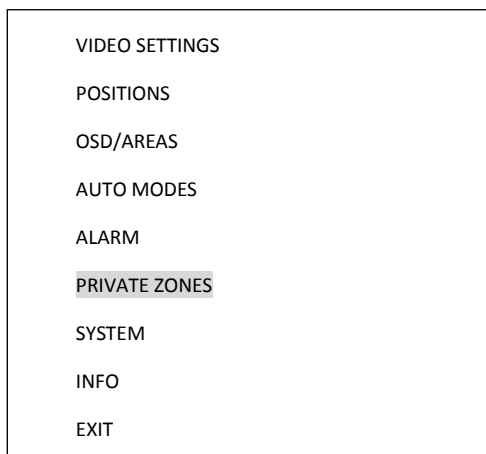
3. **SENSITIVITY**: Select motion detection sensitivity level from 1~255.
4. **INTERVAL TIME-S**: Select interval time in seconds from 1~255. Speed dome will stop detecting motion during this interval time.

EXIT

Exit from the current menu.

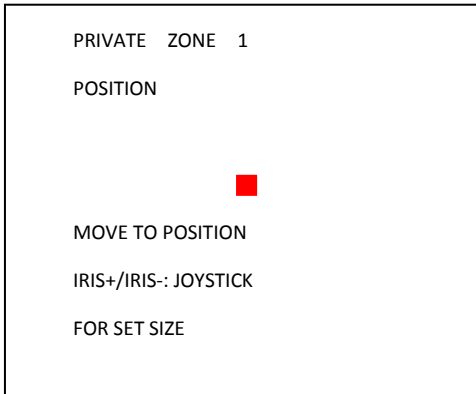
4.6 Private Zones

In main menu, turn joystick up / down to select PRIVATE ZONES masking. Turn joystick left / right to enter PRIVATE ZONE sub-menu.

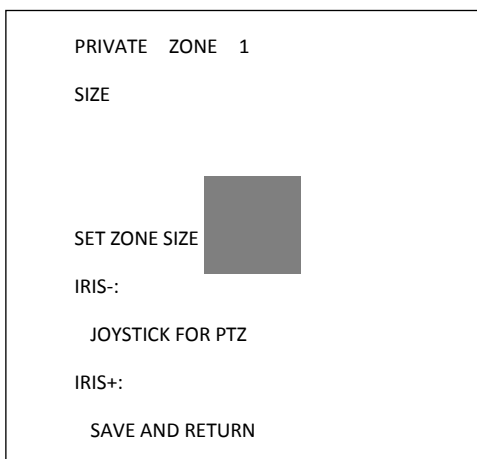


Private Zone

1. Turn joystick left / right to select ON / OFF. For Private Zone ON, press **Enter** or **IRIS+** key to enter private zone position.
2. Turn the joystick and move to position of private zone. The red dot indicates the center of the private zone area. When finished, press **IRIS+** or **IRIS-** key to set private zone size.



3. Select the area to be covered first.
 Turn joystick left / right to adjust width of the private zone area.
 Turn joystick up or down to adjust height of the private zone area.
 Press **IRIS-** key to set private zone position.
 Press **IRIS+** to save and return to previous menu.



ZONE COLOR

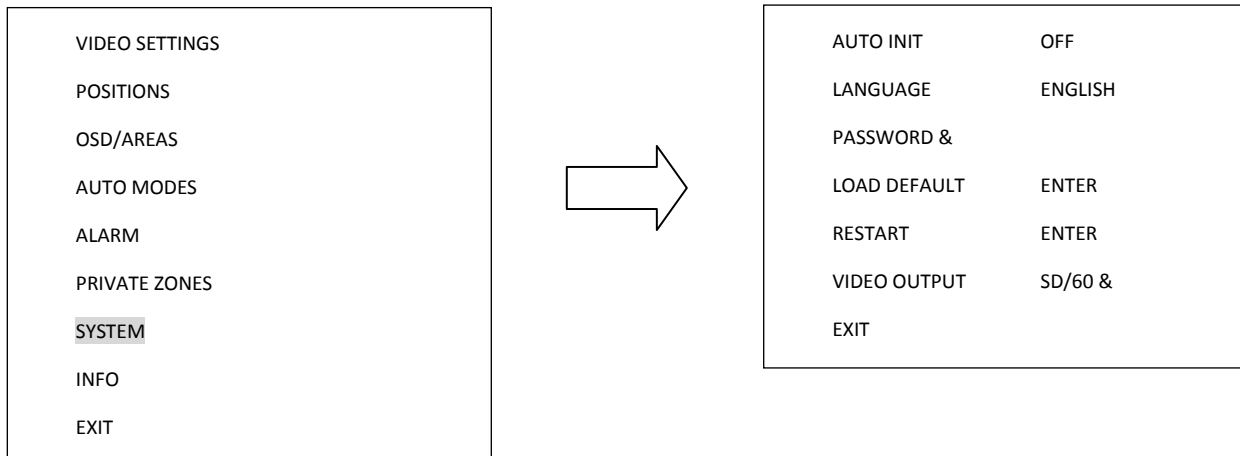
Select private zone area color from BLACK, GREEN, BLUE, WHITE, GRAY, CYAN, YELLOW, MAGENTA, MOSAIC.

EXIT

Exit from current menu.

4.7 System

In main menu, turn joystick up / down to select SYSTEM. Turn joystick left / right to enter SYSTEM sub-menu.



AUTO INIT

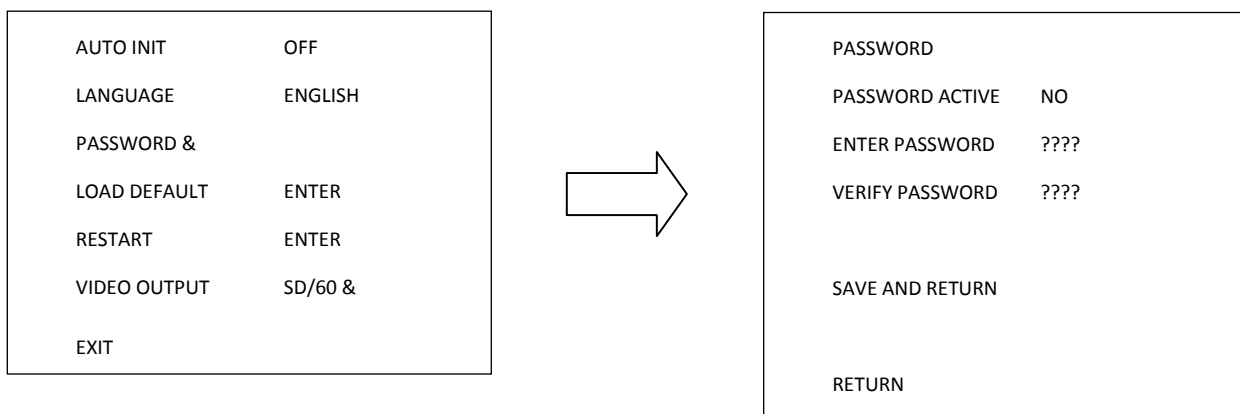
Select auto initiation time from OFF, DAILY, WEEKLY. Speed dome will automatically initiate and return to the previous position by maintaining all the settings you have done.

LANGUAGE

Select language. The current version only supports English version.

PASSWORD

Press **Enter** or **IRIS+** key or turn joystick left / right to enter password sub-menu.



- **PASSWORD ACTIVE:** Select YES to activate password mode. Select NO to disable password mode.
- **ENTER PASSWORD:** Enter the password.
- **VERIFY PASSWORD:** Enter the password again to confirm your input. Press **IRIS+** key to save and return to previous menu. Press **IRIS-** key to cancel.
- **SAVE AND RETURN:** Turn joystick left / right to save the changes and return to previous menu.
- **RETURN:** Turn joystick left / right to return to previous menu without saving changes.

LOAD DEFAULT

Press **Enter** or **IRIS+** key to load default values, all values will return to factory default value.

RESTART

Press **Enter** or **IRIS+** key to restart the speed dome.

VEDIO OUT

Select video output format from SD/60Hz, SD/50Hz, 1080p/60Hz, 1080p/50Hz, 720p/60Hz, 720p/50Hz.

Note:

1. If you have set up the video output format to CVBS/60Hz or CVBS/50Hz using DIP switches, VIDEO OUT will be disabled.
2. The UTC function is only available for AHD 720p & 1080p format. If you set the video output format to SD/60Hz or SD/50Hz, you can only use the RS-485 wires to control the speed dome.

EXIT

Exit from current menu.

4.8 Info

In main menu, turn joystick up or down to select INFO. Turn joystick left or right to enter INFO sub-menu.

EZ . HD PTZ	
VERSION	V1.0.1
PROTOCOL	AUTO
BAUDRATE	9600
RS-485-ID	001
CAMERA	SD/60
POS-CNT	0000000
X-CONT	0000000219
Y-CONT	0000000244
RETURN	

VERSION

Shows firmware version of this speed dome.

PROTOCOL

Shows protocol of this speed dome.

BAUDRATE

Shows baud rate of this speed dome.

RS-485-ID

Shows RS-485 ID of this speed dome.

CAMERA

Shows the video output format of this speed dome.

POS-CNT

Preset counter. This counter counts the preset movement, and 1 is counted when the speed dome runs to preset position.

X-CONT

X-axis counter. This counter counts the x axis movement, and 1 is counted when the speed dome pans 360°.

Y-CONT

Y-axis counter. This counter counts the y axis movement, and 1 is counted when the speed dome tilts 180°.

RETURN

Press **IRIS+** key to return to previous menu.

4.9 Exit

Exit from the OSD menu.

5. Specifications

Product Model	EPT9200	EPT9200i	EPTZ9300	EPTZ9300i
Pickup Device	1/2.8" Progressive scan CMOS image sensor			
Number of total pixels (H) x (V)	1952 x 1236, 2.41MP		1945 x 1109, 2.16MP	
Number of recommended recording pixels (H) x (V)	1920 x 1080			
Video Format	NTSC / PAL			
Min. Illumination	0.1 Lux 50 IRE (ICR OFF, IRIS OPEN, AGC MAX)		0.01 Lux 50 IRE (ICR OFF, IRIS OPEN, AGC MAX)	
S/N Ratio	50dB			
Electronic Shutter	1/1 ~ 1/10,000sec.			
Slow Shutter	Auto / Off			
Shutter Selection	AUTO / A.FLK / Manual (1/1 ~ 1/10,000 selectable)			
Lens Type	20x optical zoom, f=4.7mm to 94.0mm, F1.6 to F3.5		30x optical zoom, f=4.3mm to 129mm, F1.6 to F4.7	
Zoom Ratio	240x max. (20x Optical and 12x Digital zoom)		360x max. (30x Optical and 12x Digital zoom)	
True Day & Night	Yes			
Auto Gain Control	Yes			
Backlight Comp.	Yes			
Noise Reduction	Yes			
White Balance	Auto / ATW / Indoor / Outdoor / One push / Outdoor Auto			
Wide Dynamic Range	Yes			
Motion Detection	Yes			
Highlight Comp.	Yes			
Defog	Yes			
Stable Zoom	Yes			
Privacy Zone Masking	Yes (4 selectable zones)			
Video Output	1Vp-p, 75Ω			
Sync. Mode	Internal			
Focus Control	One Push / Auto / Manual			
Horizontal Rotation Speed	0.01°/sec. ~ 360°/sec. (1 ~ 255 grade shift gears)			
Manual Pan / Tilt Speed	Pan: 0.01° ~ 180°/sec.; Tilt: 0.01° ~ 180°/sec.			
Position Accuracy	±0.1°			
Horizontal Rotation Range	360° unlimited rotation			
Tilt Rotation Range	180° (Auto Flip)			
Auto Speed Control	Control speed auto-adjusted according to zoom length changing			

Product Model	EPT9200	EPT9200i	EPTZ9300	EPTZ9300i
Auto Pan Speed	1 ~ 255 grade available, 0.01°/sec. ~ 360°/sec.			
Dwell Time (2 points)	1 ~ 99 sec. available			
Preset Positions	192 positions			
Running to Position Speed	1 ~ 255 grade available, 0.01°/sec. ~ 360°/sec.			
Dwell Time at Preset	1 ~ 99 sec. available			
Tour	16 groups			
Tour Point per Group	16 preset positions			
Pattern	4 patterns with 90 sec. long each			
Alarm	4 in 2 out with tour / position auto triggering			
Fan	Auto starts			
Built-in Menu for Functions	Yes			
Communication	RS-485			
Communication Speed	1200 / 2400 / 4800 / 9600bps			
Built-in Protocols	EverFocus / Pelco-P / Pelco-D			
Address Editable	Yes (through DIP switch)			
Speed Dome ID Address	0 ~ 255			
Power Source	24VAC~			
Power Consumption	30W max.			
Weather-Resistant	IP66-rated	-	IP66-rated	-
Operating Temperature	-40°C ~ 50°C ≤ 95% / -40°F ~ 122°F ≤ 95% (EPTZ9200/9300) -10°C ~ 50°C ≤ 85% / 14°F ~ 122°F ≤ 85% (EPTZ9200i/9300i)			
Dimensions (W) x (H)	180 x 280mm / 7.1" x 11" (EPTZ9200/9300) 159 x 230mm / 6.3" x 9.1" (EPTZ9200i/9300i)			
Weight	5.8kg / 12.8lb (EPTZ9200/9300) 3.0kg / 6.62lb (EPTZ9200i/9300i)			
Certificates	CE, FCC			

Appendix

A. Setting-up and Operating EPTZ Camera Function Using EKB500

Manual Control Mode

- Manual control:** Shift Joystick up / down / left / right, and turn it clockwise / counterclockwise to control speed dome.
 Use the control keys which are Zoom, Focus and IRIS function keys on the keyboard to Zoom In / Out, focus N (near) / F (Far), or IRIS +/- .

Note: Zoom In / Out control keys will be disabled when entering to OSD menu mode.

- HOME Mode:** The camera view will go back to the home position when there is no keyboard operation in a specific time. The home position and the specific time can be set by pressing **Set + Home**.
 If you set the time to 0 minute, then the camera will go back to home if there is no keyboard operation in 5 seconds. This is the minimum no action time for HOME mode.

Note: If "HOME" function is enabled, dome will go to home immediately after powering on.

Auto Pan Mode

- Two point auto pan:** Press **A.Pan** to enter the auto pan mode, and then the system will ask you to enter the auto pan speed (1~239). Press **Enter** to start auto pan.
 In order to set the two points, press **Set + A.Pan**, and then enter the dwell time (1~127 seconds) of each point. The EPTZ camera begins to pan from point A to point B clockwise.
- 360° auto pan:** Press **Shift + A.Pan** to enter the 360° auto pan. System will ask you to enter 360° auto pan speed (1~239). The camera will turn 360° automatically, but not tilt.

Position Setting

- Focus on a preset position:** Press the number key, and then press **Position** to focus on the number of preset position; or you can press **Position**, then enter the preset position number, and then press **Enter** to focus on the number of preset position.
- Preset a position:** Shift the Joystick to the position you would like to preset, and then press **Shift + Position**. The system will ask you to enter the preset position number (1~192), and then press **Enter** to save the position. There are up to 192 positions can be preset.

Three specific preset positions can be set as follows:

92 => Set Left Limit Stop (A position)

93 => Set Right Limit Stop (B position)

95 => Enter Menu mode (Use keyboard control keys to control OSD items; Focus F. to go downward, Focus N. to go upward. IRIS + go to previous setting and IRIS – to exit).

You can directly go to the following specific preset positions:

33 => Rotation of 180 degree

34 => Go to Home position (if Home Position is set by EVF Keyboard)

90 => Run tour (one-way)

91 => Run Pattern

94 => Initial

96 => Stop Scan

97 => Start running tour 1

98 => Frame scan (60 degree / step)

Default speed is 32. It can be changed by EVF Keyboard (Shift + A.Pan setting speed) .

Dwell time: default is 2 sec; it can be changed by EVF Keyboard (Set + A.Pan setting dwell time of A pos or B pos).

99 => Auto scan (360 degree)

Default speed is 32. It can be changed by EVF Keyboard (Shift + A.Pan setting speed).

We can even set camera's ICR Day / Night function with RS-485 command via keyboard. Press Position + 88 to link to Day mode or Position + 89 to link to Night mode, "ICR AUTO" message will be shown on the right-bottom part of the screen. If OSD Day / Night ICR mode is "AUTO", it cannot be controlled by preset position setting.

- **Set the parameter of a preset position:** Press Set + Position to set the parameter of a preset position. You can set the going-to speed (1~239), dwell time (1~239 seconds), and the title of the position. Shift the joystick right / left to change bits, and shift the Joystick up / down to change the alphanumeric characteristic. The available alphanumeric characteristics are 0~9, A~Z, &, ?, !, :, ', ., ,, /, -, and a space.
- **Delete a preset position:** Press Clr + Position to delete a preset position. The system will ask you to enter the position number that you would like to delete, and then press Enter.

Tour Mode

In the tour mode, you can set a tour for viewing. There are 16 tours can be set, and 16 preset positions in a tour.

- **One-way tour Mode:** Press Tour to enter the tour mode. The system will ask you to enter the tour number you would like to run, and starts the tour after pressing Enter. To preset a tour before running is necessary.
Preset a one-way tour: Press Set + Tour to preset a one-way tour. The system will ask you to enter preset position numbers (The positions need to be preset). After finish entering all positions, press Stop to quit, and then press Enter to save the tour.
- **To-and-fro tour mode:** Press Shift + Tour to run a to-and-fro tour. The system will ask you to enter the tour number you would like to run, and starts the tour after pressing Enter. To preset a tour before running it is necessary.

Note:

1. The difference between the One-way tour mode and To-and-fro tour mode is that the return modes are different. For example: There is a tour with 3 preset positions 1, 2 and 3. The camera runs 1→2→3→1→2→3 in the One-way tour mode, and 1→2→3→2→1 in the To-and-fro tour mode.
2. You could set a pattern tour. Press **Set + Tour**, and input 0, press **Enter**. Sway the joystick to record the entire tour. Press **Stop** to stop recording tour. To view this pattern tour, simply press **Tour**, and input tour number 0, then press **Enter**.

Alarm Link to a Position / Tour

EPTZ9200/9300 Series have 4 alarm inputs that can be set to link to a position or a tour when an alarm is triggered.

- **Set an alarm link:**

Press **F1** to set an alarm link. Enter the alarm number, and then press **Enter**. Switch the Joystick up / down to select a position or a tour, enter a position or tour number, and then press **Enter** to confirm the alarm link setting.

If you set the position number to 99, the dome will do a 360 degree auto scan or AB two point pan if limit is ON. If you set the position number to 98, the dome will do a frame scan.

- **Delete an alarm link:**

Press **Clr + F1** to delete a link of alarm to position/tour.

Note:

1. After alarm output signal is terminated, the speed dome will resume action or return to its original position.
2. After powering on the speed dome, it will detect alarm status automatically.

Other Operations

The EPTZ9200/9300 Series can work with a DVR that has PTZ control functions, and a matching protocol. The available control functions depend on different DVRs.

The EPTZ9200/9300 Series can work with a keyboard that has PTZ control functions, and a matching protocol. The available control functions depend on different keyboards.

EverFocus Electronics Corp.

EverFocus Taiwan:

12F, No.79, Sec. 1, Shin-Tai Wu Road,
Hsi-Chih, New Taipei City, Taiwan
TEL: +886 2 2698 2334
FAX: +886 2 2698 3943
www.everfocus.com.tw
marketing@everfocus.com.tw

EverFocus China - Beijing:

Room 609, Technology Trade Building,
Shangdi Information Industry Base,
Haidian District, Beijing 100085, China
TEL: +86 10 6297 3336~39
FAX: +86 10 6297 1423
www.everfocus.com.cn
marketing@everfocus.com.cn

EverFocus USA - California:

1801 Highland Avenue, Unit A, Duarte, CA 91010,
USA
TEL: +1 626 844 8888
FAX: +1 626 844 8838
www.everfocus.com
sales@everfocus.com

EverFocus Europe - Germany:


Albert-Einstein-Strasse 1, D-46446
Emmerich, Germany
TEL: +49 2822 93940
FAX: +49 2822 939495
www.everfocus.de
sales@everfocus.de

EverFocus China - Shenzhen:

4F, No. 2, D4 Building, Wan Yelong
Industrial Park, Tangtou Road, Shiyao,
Baoan, Shenzhen, Guangdong 518101, China
TEL: +86 755 2765 1313
FAX: +86 755 2765 0337
www.everfocus.com.cn
marketing@everfocus.com.cn

EverFocus Japan:

3F, Kuramochi, Building II
2-2-3 Koto-Bashi, Sumida-Ku,
Tokyo, 130-0022, Japan
TEL: +81-3-5625-8188
FAX: +81 3 5625 8189
www.everfocus.co.jp
info@everfocus.co.jp

	<p>Your EverFocus product is designed and manufactured with high quality materials and components which can be recycled and reused.</p> <p>This symbol means that electrical and electronic equipment, at their end-of-life, should be disposed of separately from your household waste.</p> <p>Please, dispose of this equipment at your local community waste collection/recycling centre.</p> <p>In the European Union there are separate collection systems for used electrical and electronic product.</p> <p>Please, help us to conserve the environment we live in!</p>	<p>Ihr EverFocus Produkt wurde entwickelt und hergestellt mit qualitativ hochwertigen Materialien und Komponenten, die recycelt und wieder verwendet werden können.</p> <p>Dieses Symbol bedeutet, dass elektrische und elektronische Geräte am Ende ihrer Nutzungsdauer vom Hausmüll getrennt entsorgt werden sollen.</p> <p>Bitte entsorgen Sie dieses Gerät bei Ihrer örtlichen kommunalen Sammelstelle oder im Recycling Centre.</p> <p>Helfen Sie uns bitte, die Umwelt zu erhalten, in der wir leben!</p>
---	--	---



P/N: 4605PP4920B023A-Ver.A