

Enclosure



EN-1000



IR-040



MK-001

EN-1000 Series

EN-1000 enclosure with one or two units of IR-040 infrared illuminator



Electric:

Infrared LED: 4PCS (850nm, beamangle 45°)

IR Light Distance: Single Unit: 30M-40M Double Unit: 40M-50M

POWER SUPPLY: Input Voltage: 90-240Vac (+/-10%)

Input Current: 2.0A/110V 1.0A/220V (+/-10%)

Output Voltage: 12V

Output Current: 3.5A

Ripple below200mV, Conform with safety standard

EN-1000 series enclosure with one or two Units of IR-040 infrared illuminator enclosure

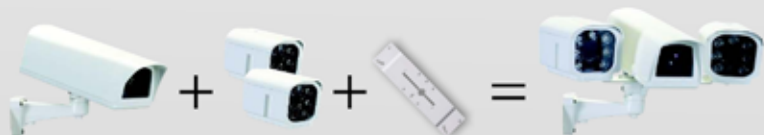
Accessories:

a. Fully-cable-managed bracket: Entirely made of die-cast aluminum alloy Light ivory powder coating finished

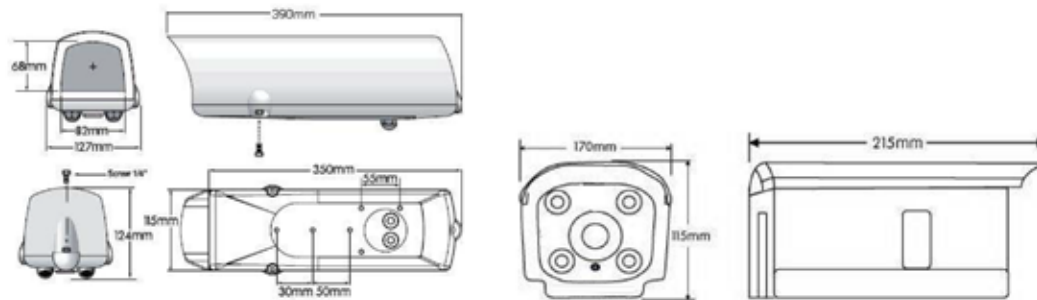
SUBJECT: TECHNICAL DATA
CONTAINS:

GENERAL:

Entirely made of die-cast aluminum alloy Light ivory powder coating finished Supplied with: Fully-cable-managed bracket and accessories for camera/lens installation



MECHANICAL:



Inner space for camera: W90 x H70 x L240mm



b. Kit Pack

for: EN-1000

| | |
|---------------------------------|-------|
| Anchor | 3 pcs |
| Hexagonal Stainless Steel Screw | 3 pcs |
| Stainless Steel Washers | 4 pcs |
| Nylon Washers | 4 pcs |
| L Type Hexagonal Wrench | 1 pcs |
| For Camera : | |
| Plastic Pad | 1 pcs |
| Plastic Washer | 1 pcs |
| Hexagonal Stainless Steel Screw | 1 pcs |
| Stainless Steel Washer | 1 pcs |

for: IR-040

| | | |
|---------------------------------|------------|-------|
| Nylon Washers | 1/4*12mm | 8 pcs |
| Hexagonal Stainless Steel Screw | 1/4*3/8" | 8 pcs |
| L Type Hexagonal Wrench | 5*50*150mm | 1 pcs |

for: MK-001

| | | |
|---------------------------------|------------|-------|
| Nylon Washers | 1/4*12mm | 6 pcs |
| Hexagonal Stainless Steel Screw | 1/4*3/8" | 6 pcs |
| L Type Hexagonal Wrench | 5*50*150mm | 1 pcs |

STANDRD SPECIFICATIONS:

CE in compliance with EN 55022: 1988 EN 50130-4:1995

FCC in compliance with ANSI C 63.4

EN-1000 Enclosure: IP68 , IR-040: IP66

RoHS & SVCH compliance

LED in compliance with IEC 60825-1: 1993+A1: 1997+A2: 2001

/ EN 60825-1: 1994+A1: 2002 + A2: 2001

Operating Temperature: -20°C ~ +50°C (-4°F ~+122°F) (with fan & heater)