

**EH4700 Series
Environmental
Enclosures**

**Installation/
Operation Manual**

C1405M-E (11/03)

CONTENTS

Section	Page
GENERAL.....	3
IMPORTANT SAFEGUARDS AND WARNINGS	3
DESCRIPTION	4
MODELS	4
CERTIFICATIONS	4
INSTALLATION	5
OPERATION	11
MAINTENANCE	12
SERVICE MANUAL	12
SPECIFICATIONS	13
WARRANTY AND RETURN INFORMATION	16

LIST OF ILLUSTRATIONS

Figure		Page
1	Exploded Assembly Diagram for Blower and Circuit Board	5
2	EH4700 Series Input Wiring Diagram	7
3	EH4700 Dimension Drawing	14

LIST OF TABLES

Table		Page
A	24 VAC Wiring Distances	9

IMPORTANT SAFEGUARDS AND WARNINGS

Prior to installation and use of this product, the following WARNINGS should be observed.

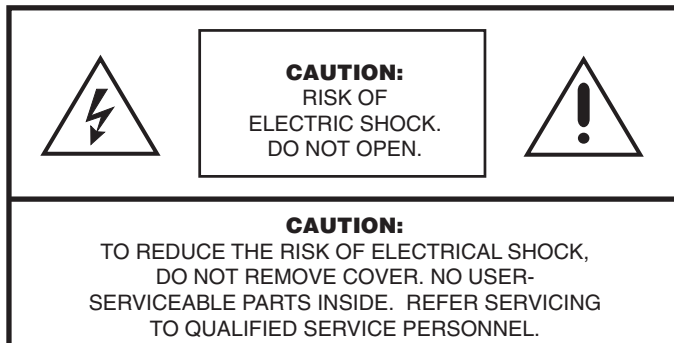
1. Installation and servicing should only be done by qualified service personnel and conform to all local codes.
2. Unless the unit is specifically marked as a NEMA Type 3, 3R, 3S, 4, 4X, 6, or 6P enclosure, it is designed for indoor use only and it must not be installed where exposed to rain and moisture.
3. Only use replacement parts recommended by Pelco.
4. After replacement/repair of this unit's electrical components, conduct a resistance measurement between line and exposed parts to verify the exposed parts have not been connected to line circuitry.
5. The installation method and materials should be capable of supporting four times the weight of the enclosure, pan/tilt, camera and lens combination.

The product and/or manual may bear the following marks:

This symbol indicates that dangerous voltage constituting a risk of electric shock is present within this unit.



This symbol indicates that there are important operating and maintenance instructions in the literature accompanying this unit.



**Please thoroughly familiarize yourself with the information
in this manual prior to installation and operation.**

DESCRIPTION

Environmental enclosures in the EH4700 Series are used with pan/tilt units or fixed mounts. The enclosures are constructed of aluminum. You can install cameras with either fixed focal length lenses or motorized zoom lenses (up to 10X). All models have an adjustable camera sled to accommodate different sizes of cameras and lenses.

MODELS

EH4718	Environmental enclosure with rear opening lid. Lid has gas spring to hold it open. 18-inch (45.72 cm) length.
EH4718-1	EH4718 with 120 VAC thermostatically controlled heater and blower.
EH4718-2	EH4718 with 24 VAC thermostatically controlled heater and blower.
EH4718-3	EH4718 with 230 VAC thermostatically controlled heater and blower.
EH4722	Environmental enclosure with rear opening lid. Lid has gas spring to hold it open. 22-inch (55.88 cm) length.
EH4722-1	EH4722 with 120 VAC thermostatically controlled heater and blower.
EH4722-2	EH4722 with 24 VAC thermostatically controlled heater and blower.
EH4722-3	EH4722 with 230 VAC thermostatically controlled heater and blower.

CERTIFICATIONS

The products identified below have been tested and certified for agency compliance as noted.

Model	Agency Compliance Certification			
	CE	FCC	UL	CSA/cUL
EH4718	X			
EH4718-1				
EH4718-2	X			
EH4718-3	X			
EH4722	X			
EH4722-1				
EH4722-2	X			
EH4722-3	X			

Applicable CE, FCC, UL, and CSA/cUL directives/standards:

- 93/68/EEC – CE Mark Directive
 - 89/336/EEC, 92/31/EEC – Electromagnetic Compatibility (EMC) Directives
 - EN 55022: 1984 Class B – Radio-frequency emissions limits
 - EN 50082-2: 1992 – Immunity standard
 - IEC 801-2: 1984 – ESD immunity
 - IEC 801-3: 1984 – Radiated field immunity
 - IEC 801-4: 1988 – Electrical transients

Additional applicable standards:

- NEMA Type 3R
- IP 32

INSTALLATION

1. Unlatch and raise the enclosure lid. The gas spring will hold the lid in place when it is fully opened.
2. Remove the camera sled from the rail:
 - a. Loosen the screws.
 - b. Slide the sled so that the screws are in the large part of the mounting holes.
 - c. Remove the sled.
 - d. Remove the parts tied to the sled.
3. **EH4718-1, -2, -3 Models, and EH4722 -1, -2, -3 Models Only** - If you are installing the enclosure in a marine or high-moisture environment, make the following modifications to your enclosure:

Refer to Figure 1 for an exploded assembly diagram of the blower assembly.

- a. Remove the two sets of screws and washers (A, B, and C) that secure the fan shroud (3) to the bottom of the enclosure.
- b. Remove the four screws (D) that secure the fan (4) to the back of the enclosure.

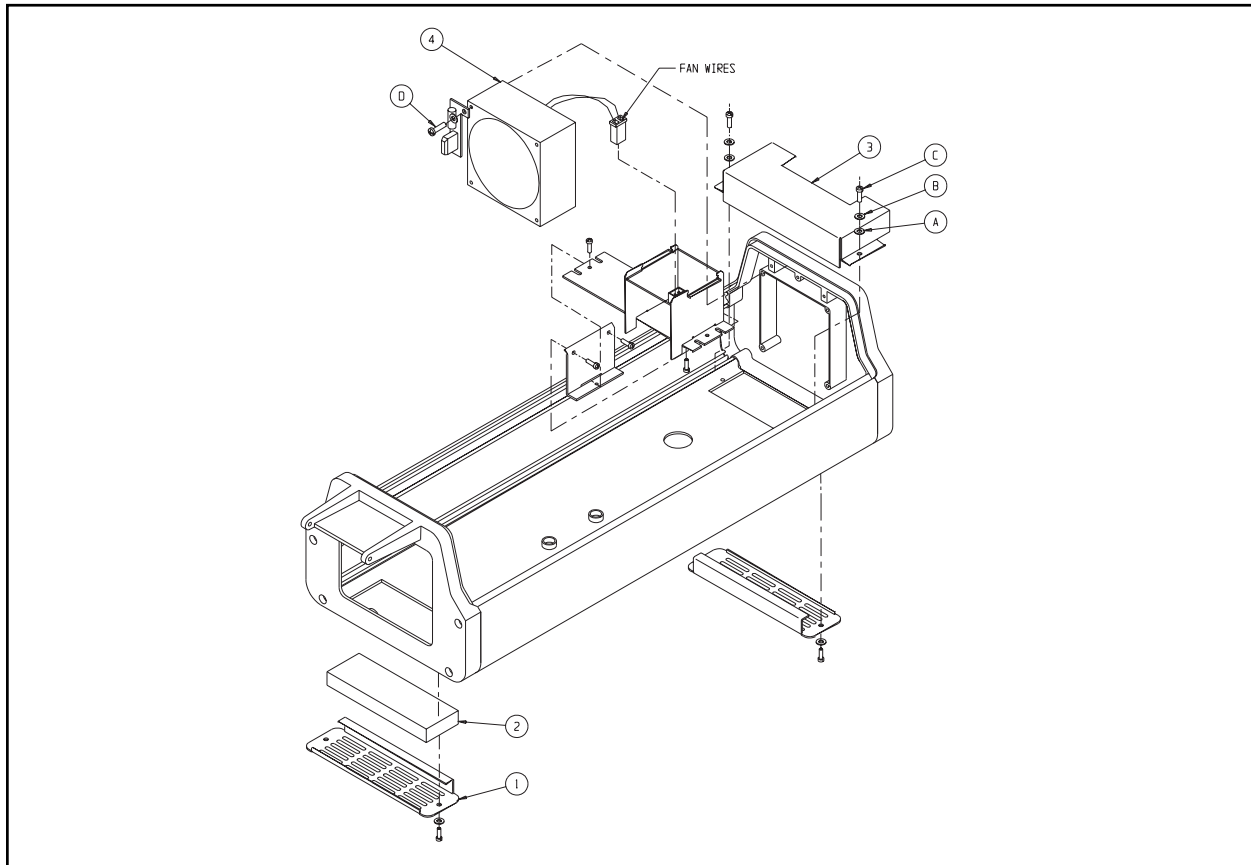


Figure 1. Exploded Assembly Diagram for Blower and Circuit Board

- c. Move the fan out of the way and remove the fan shroud.
 - d. Turn the fan around so that it blows toward the viewing window (refer to the arrows on the fan).
 - e. Reinstall the fan on the back of the enclosure.
 - f. Close the enclosure lid.
 - g. On the bottom of the enclosure, remove the vent grills (1) and filter (2) at the front and back of the enclosure. Replace the grills with the vent cover plates that were attached to the camera sled as loose equipment.
 - h. Open the enclosure lid.
4. If you are going to wire the enclosure with cable, remove the wiring glands and nuts from the parts bag and install them in the bottom of the enclosure. If you are going to wire the enclosure with conduit, do not install the glands.
 5. Mount the camera to the sled with the 1/4-20 Phillips-head screws that are provided in the parts bag. You can mount the camera to either side of the sled. Note that the edges of the sled are bent and that one lip is wide and the other is narrow.

Normally you should mount the camera so that the wide lip of the sled fits over the mounting screws.

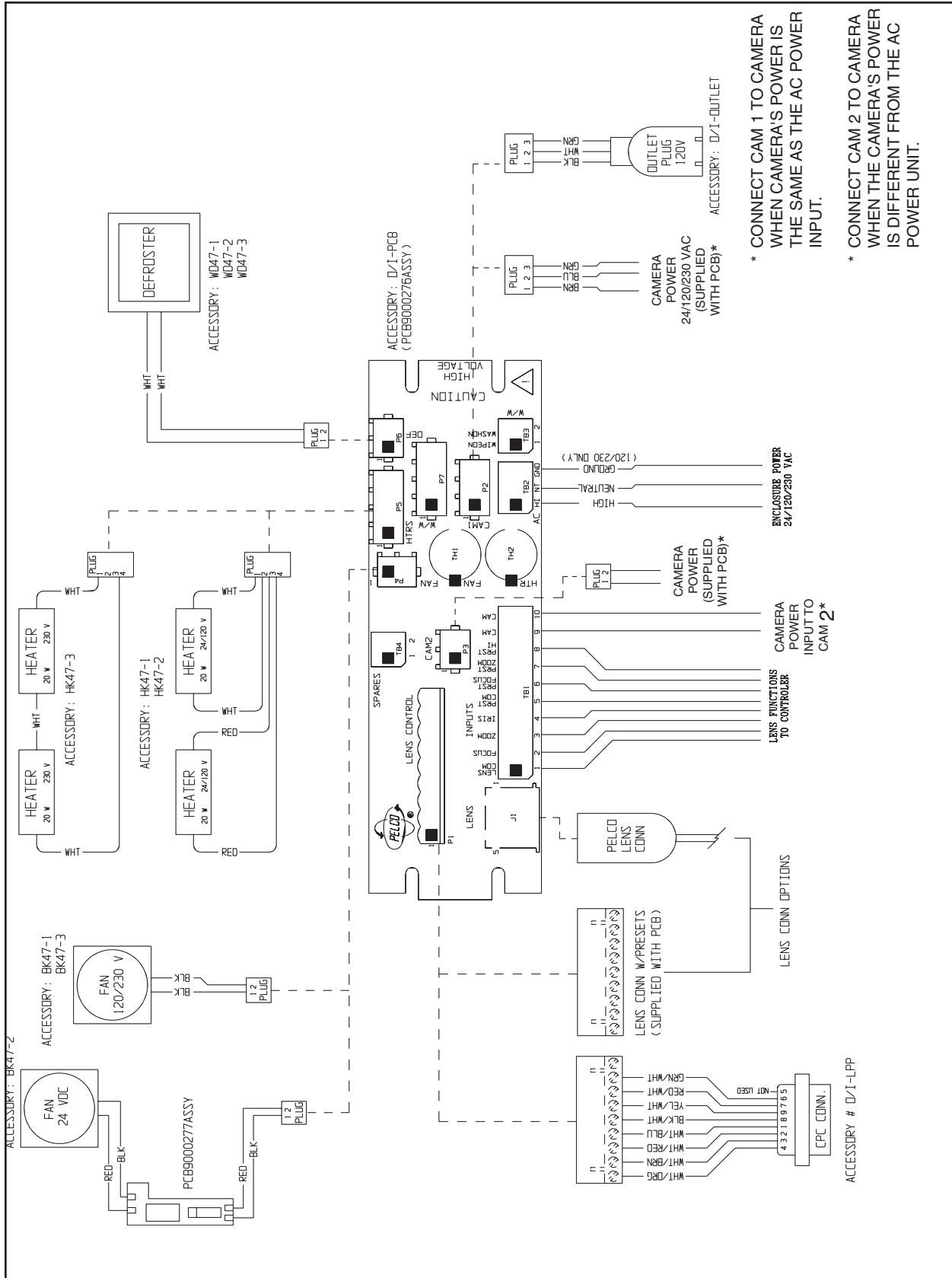
If you are installing a camera with a low optical center line or a camera with a large diameter lens, mount the camera so that the narrow lip of the sled fits over the mounting screws. This elevates the sled.

6. There are two threaded mounting holes on the bottom of the enclosure. Mount the enclosure to a pan/ tilt assembly or fixed mount with 1/4-20 screws with threads that do not exceed 5/8 of an inch (1.59 cm) in length (not supplied with the enclosure).
7. Install the sled and camera in the enclosure:
 - a. If the camera's lens is adjustable, extend the lens to its maximum length.
 - b. Place the sled on the rail over the three attaching screws.
 - c. Slide the sled so that the screws fit into the narrow slots of the mounting holes.
 - d. Tighten the screws just enough to hold the sled to the rail, but not too tight to keep the sled from moving.
 - e. Slide the camera sled forward until the lens almost touches the window.
 - f. Tighten the three screws to secure the camera sled to the rail.
8. Wire the video output from the camera.
9. If you are going to synchronize cameras, wire the camera's synchronization connection.
10. If your camera has a motorized zoom lens control, wire it.

EH4718 and EH4722 Models Only - Wire the camera's lens control directly to the lens controller.

EH4718-1, -2, -3 Models, and EH4722-1, -2, -3 Models Only - Refer to Figure 2 and wire the motorized zoom lens control as follows:

- a. Connect or wire the lens control from the camera to the LENS or LENS CONTROL connector on the circuit board.



* CONNECT CAM 1 TO CAMERA WHEN CAMERA'S POWER IS THE SAME AS THE AC POWER INPUT.

* CONNECT CAM 2 TO CAMERA WHEN THE CAMERA'S POWER IS DIFFERENT FROM THE AC POWER UNIT.

Figure 2. EH4700 Series Input Wiring Diagram



WARNING: *Camera damage possible. You can damage your camera if you connect it to the wrong connector.*

If your camera will use the same power as the enclosure, plug the camera into the CAM 1 socket on the circuit board inside the enclosure.

If your camera's voltage will be different from the enclosure's voltage, plug the camera into the CAM 2 socket only. DO NOT plug the camera into the CAM 1 socket or you can damage your camera. CAM 1 has enclosure voltage on it.

**BE CAREFUL - REMEMBER
CAM 1 IS ENCLOSURE
POWER**

**NEVER PLUG YOUR
CAMERA INTO CAM 1 IF
THE CAMERA'S VOLTAGE
IS DIFFERENT FROM THE
ENCLOSURE'S VOLTAGE.**

b. Wire the 10-connector INPUTS terminal on the circuit board to the lens controller as follows:

- Lens Common - Connector 1
- Focus - Connector 2
- Zoom - Connector 3
- Iris - Connector 4
- Preset Common - Connector 5
- Preset Focus - Connector 6
- Preset Zoom - Connector 7
- Preset High - Connector 8

11. **EH4718-1, -2, -3 Models, and EH4722 -1, -2, -3 Models Only** - Refer to Figure 2 and connect the camera's power input to the circuit board.

There are two ways to supply power to the camera: when the power requirements for the camera and enclosure's accessories are the same (for example, if the camera and accessories use 24 VAC), and when the power requirements for the camera and the enclosure's accessories are different (for example, if the camera uses 24 VAC and the accessories use 120 VAC).

When the power requirements are the same, there are two ways to connect power:

(1) A three-pin plug is supplied as loose equipment. Connect the wires from the plug to the camera as follows:

- Brown - AC HI
- Blue - AC NT
- Green - Ground

Connect the plug to the CAM 1 socket on the circuit board (remove the plastic cover over the power supply section of the circuit board).

or

(2) If both the camera end enclosure use 120 VAC and you ordered the optional 120 VAC electrical outlet accessory (O/I-OUTLET), connect the 120 VAC plug to the camera and the three-pin plug to CAM 1 (remove the plastic cover over the power supply section of the circuit board).

When the power requirements are different, connect the wires from the two-pin plug, which is supplied as loose equipment, to the camera as follows:

- Brown - AC HI
- Blue - AC NT

Connect the plug to the CAM 2 socket on the circuit board.

12. Wire power to the enclosure to operate the camera.

EH4718 and EH4722 Models Only - Wire power directly to the camera. If you are using 24 VAC, refer to Table A to determine the size of wire to use.

EH4718-1, -2, -3 Models, and EH4722-1, -2, -3 Models Only -

CAM 1 - If the camera's power input is connected to CAM 1 on the circuit board, go to step 13.

CAM 2 - If the camera's power input is connected to CAM 2 on the circuit board, wire power for the camera as follows:

- a. Connect AC high to connector 9 of the 10-connector INPUTS terminal block (goes to the brown wire in the CAM 2 connector).
- b. Connect AC neutral to connector 10 of the 10-connector INPUTS terminal block (goes to the blue wire in the CAM 2 connector).

Table A. 24 VAC Wiring Distances

The following are the recommended maximum distances for 24 VAC applications and are calculated with a 10-percent voltage drop. (Ten percent is generally the maximum allowable voltage drop for AC-powered devices.)

EXAMPLE: An enclosure that requires 80 vA and is installed 35 feet (10 m) from the transformer would require a minimum wire gauge of 20 Awg.

NOTE: Distances are calculated in feet; values in parentheses are meters.

Total vA consumed	Wire Gauge						Maximum distance from transformer to load
	20 AWG (0.5mm ²)	18 AWG (1.0 mm ²)	16 AWG (1.5 mm ²)	14 AWG (2.5 mm ²)	12 AWG (4.0 mm ²)	10 AWG (6.0 mm ²)	
10	283 (86)	451 (137)	716 (218)	1142 (348)	1811 (551)	2880 (877)	
20	141 (42)	225 (68)	358 (109)	571 (174)	905 (275)	1440 (438)	
30	94 (28)	150 (45)	238 (72)	380 (115)	603 (183)	960 (292)	
40	70 (21)	112 (34)	179 (54)	285 (86)	452 (137)	720 (219)	
50	56 (17)	90 (27)	143 (43)	228 (69)	362 (110)	576 (175)	
60	47 (14)	75 (22)	119 (36)	190 (57)	301 (91)	480 (146)	
70	40 (12)	64 (19)	102 (31)	163 (49)	258 (78)	411 (125)	
80	35 (10)	56 (17)	89 (27)	142 (43)	226 (68)	360 (109)	
90	31 (9)	50 (15)	79 (24)	126 (38)	201 (61)	320 (97)	
100	28 (8)	45 (13)	71 (21)	114 (34)	181 (55)	288 (87)	
110	25 (7)	41 (12)	65 (19)	103 (31)	164 (49)	261 (79)	
120	23 (7)	37 (11)	59 (17)	95 (28)	150 (45)	240 (73)	
130	21 (6)	34 (10)	55 (16)	87 (26)	139 (42)	221 (67)	
140	20 (6)	32 (9)	51 (15)	81 (24)	129 (39)	205 (62)	
150	18 (5)	30 (9)	47 (14)	76 (23)	120 (36)	192 (58)	
160	17 (5)	28 (8)	44 (13)	71 (21)	113 (34)	180 (54)	
170	16 (4)	26 (7)	42 (12)	67 (20)	106 (32)	169 (51)	
180	15 (4)	25 (7)	39 (11)	63 (19)	100 (30)	160 (48)	
190	14 (4)	23 (7)	37 (11)	60 (18)	95 (28)	151 (46)	
200	14 (4)	22 (6)	35 (10)	57 (17)	90 (27)	144 (43)	

13. **EH4718-1, -2, -3 Models, and EH4722-1, -2, -3 Models Only** - Wire power to the enclosure to operate accessories (and the camera if its power is connected to CAM 1 on the circuit board) as follows:

- a. Remove the plastic cover over the power supply section of the circuit board.
- b. Connect AC high to AC HI of the 3-connector terminal block.
- c. Connect AC neutral to AC NT of the 3-connector terminal block.
- d. Connect ground to GND of the 3-connector terminal block.
- e. Reinstall the plastic cover over the power supply section of the circuit board.

If the camera's power is connected to CAM 1 on the circuit board, add the camera's wattage to the power consumption of the accessories to determine the size of wire to use. If you are using 24 VAC, refer to Table A to determine the size of wire to use. Here are the wattages for the accessories:

- Blowers for all enclosures - 8 watts
- Defrosters for all enclosures - 15 watts
- Heaters for 120 VAC enclosures - 60 watts
- Heaters for 24 VAC enclosures - 50 watts
- Heaters for 230 VAC enclosures - 55 watts

14. Adjust the camera focus and iris, if necessary.
15. Close the enclosure lid.

OPERATION

If your enclosure has a thermostatically controlled blower, the thermostat is set to turn the fan on between 77° and 93°F (25° and 34°C) and to turn the fan off between 62° and 78°F (17° and 26°C).

If your enclosure has thermostatically controlled heaters or defroster, the thermostat is set to turn them on between 42° and 58°F (6° and 14°C) and to turn them off between 72° and 88°F (22° and 31°C).

MAINTENANCE

Perform the following maintenance at regularly scheduled intervals to prolong the operational life and appearance of the equipment.

1. Clean the window with a mild nonabrasive detergent in water and a soft cloth to maintain picture clarity.
2. If your enclosure has a blower, clean the foam filter as follows:
 - a. On the bottom front of the enclosure, remove the two screws in the vent grill.
 - b. Remove the vent grill and take out the filter.
 - c. Clean the filter with warm water and mild detergent, dry thoroughly, and replace it in the grill.
 - d. Reinstall the vent grill.

To order replacement filters, use the part number EH470010009.

SERVICE MANUAL

If you need to service your unit, obtain a service manual in on of the following ways:

- Go to Pelco's web site at <http://www.pelco.com> and find service manual C1405SM.
- Contact Pelco's Literature Department and request service manual C1405SM.

SPECIFICATIONS

ELECTRICAL

Input Voltage: 24, 120 or 230 VAC, 50/60 Hz

Electrical Connections: One each of the following when equipped with optional circuit board (O/I-PCB):

3-connector terminal block for power input

6-pin lens connector

9-connector terminal block for lens wiring

10-connector terminal block for camera/lens wiring

2-connector terminal block for spare connections

3-pin socket for camera power input

2-pin socket for optional camera power input

2-pin socket for blower

2-pin socket for defroster

4-pin socket for heaters

Input Power:	Heater-1	60 watts
	Heater-2	50 watts
	Heater-3	55 watts
	Defroster	15 watts
	Blower	8 watts

MECHANICAL

Construction: Die-cast, extruded, and sheet aluminum

Finish: Polyester powder coat, 2-tone gray

Cable Entry: Two UL-approved glands on bottom of enclosure; maximum cable diameter 0.47 inch (1.19 cm). Will accept 1/2-inch (1.27 cm) conduit without glands.

Window: Plastic

Window Viewing Area: 3.50" H x 4.00" W
(8.89 x 10.16 cm)

Camera Mounting: Removable camera sled that can be inverted to accommodate various heights of cameras and lenses

Maximum Camera/Lens Size: Accommodates camera/lens combinations (including BNC connector) up to:
EH4718
17" L x 5.5" W x 4.25" H

(43.18 x 13.97 x 10.80 cm)

EH4718-1, -2, -3
13" L x 4.75" W x 4.25" H
(33.02 x 12.07 x 10.80 cm)

EH4722
21" L x 5.5" W x 4.25" H
(53.34 x 13.97 x 10.80 cm)

EH4722-1, -2, -3
17" L x 4.75" W x 4.25" H
(43.18 x 12.07 x 10.80 cm)

Rear Latch: Stainless Steel

Dimensions: See Figure 3

Weight:	Unit	Shipping
EH4718	7.25 lb (3.28 kg)	9 lb (4.08 kg)
EH4718-1, -2, -3	8.5 lb (3.85 kg)	10 lb (4.53 kg)
EH4722	8.5 lb (3.85 kg)	10 lb (4.53 kg)
EH4722-1, -2, -3	9.75 lb (4.42 kg)	12 lb (5.44 kg)

GENERAL

Environment: Indoor/outdoor
-10° to 120°F (-23° to 49°C)

Temperature

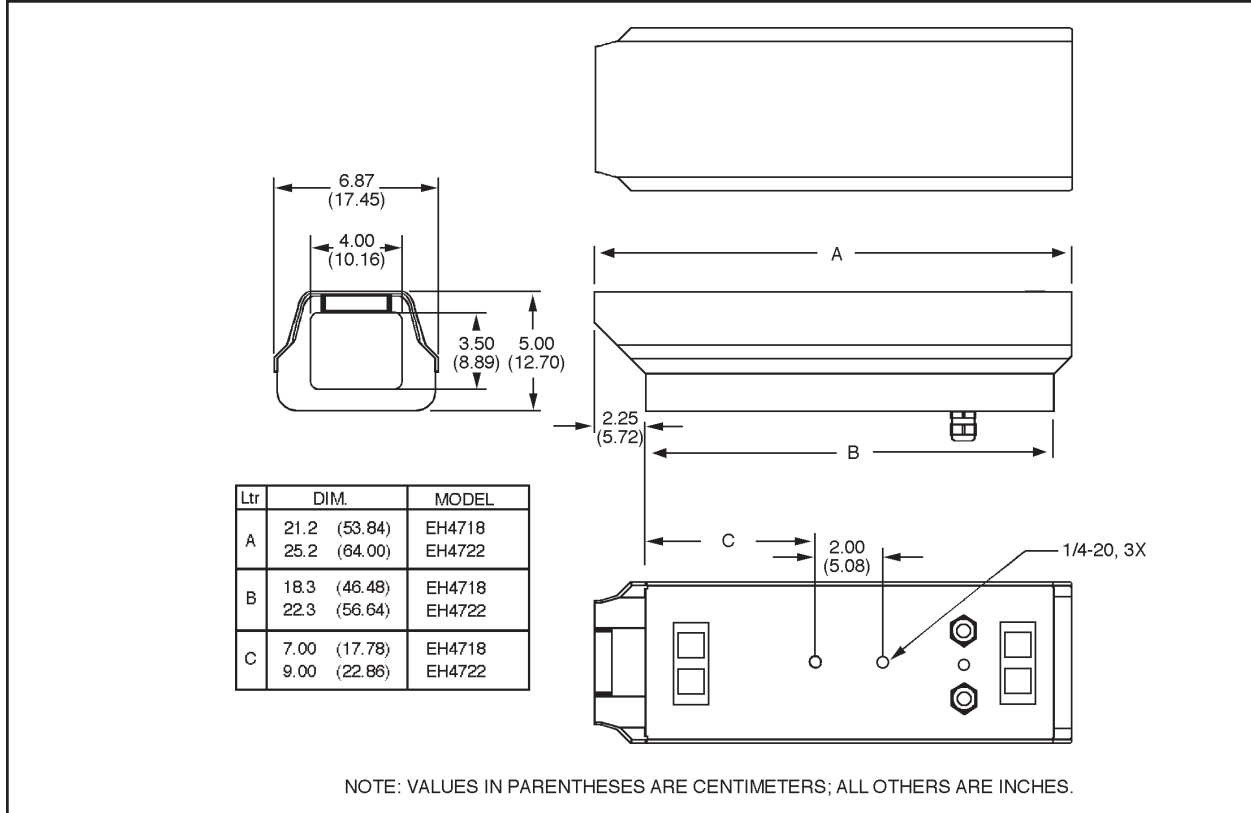


Figure 3. EH4700 Dimension Drawing

increase inside enclosure with heater operating:	With vent grills installed:	17°F (9.5°C) increase
	With vent covers and T147 thermal installation:	25°F (13.8°C) increase
	With vent covers, T147 thermal insulation and WD47 defroster installed:	35°F (19.4°C) increase
Ratings:	NEMA Type 3R IP 32	

PRODUCT WARRANTY AND RETURN INFORMATION

WARRANTY

Pelco will repair or replace, without charge, any merchandise proved defective in material or workmanship for a period of one year after the date of shipment.

Exceptions to this warranty are as noted below:

- Five years on FT/FR8000 Series fiber optic products.
- Three years on Genex® Series products (multiplexers, server, and keyboard).
- Three years on Camclosure® and fixed camera models, except the CC3701H-2, CC3701H-2X, CC3751H-2, CC3651H-2X, MC3651H-2, and MC3651H-2X camera models, which have a five-year warranty.
- Two years on standard motorized or fixed focal length lenses.
- Two years on Legacy®, CM6700/CM6800/CM9700 Series matrix, and DF5/DF8 Series fixed dome products.
- Two years on Spectra®, Esprit®, ExSite™, and PS20 scanners, including when used in continuous motion applications.
- Two years on Esprit® and WW5700 Series window wiper (excluding wiper blades).
- Eighteen months on DX Series digital video recorders, NVR300 Series network video recorders, and Endura™ Series distributed network-based video products.
- One year (except video heads) on video cassette recorders (VCRs). Video heads will be covered for a period of six months.
- Six months on all pan and tilts, scanners or preset lenses used in continuous motion applications (that is, preset scan, tour and auto scan modes).

Pelco will warrant all replacement parts and repairs for 90 days from the date of Pelco shipment. All goods requiring warranty repair shall be sent freight prepaid to Pelco, Clovis, California. Repairs made necessary by reason of misuse, alteration, normal wear, or accident are not covered under this warranty.

Pelco assumes no risk and shall be subject to no liability for damages or loss resulting from the specific use or application made of the Products. Pelco's liability for any claim, whether based on breach of contract, negligence, infringement of any rights of any party or product liability, relating to the Products shall not exceed the price paid by the Dealer to Pelco for such Products. In no event will Pelco be liable for any special, incidental or consequential damages (including loss of use, loss of profit and claims of third parties) however caused, whether by the negligence of Pelco or otherwise.

The above warranty provides the Dealer with specific legal rights. The Dealer may also have additional rights, which are subject to variation from state to state.

If a warranty repair is required, the Dealer must contact Pelco at (800) 289-9100 or (559) 292-1981 to obtain a Repair Authorization number (RA), and provide the following information:

1. Model and serial number
2. Date of shipment, P.O. number, Sales Order number, or Pelco invoice number
3. Details of the defect or problem

If there is a dispute regarding the warranty of a product which does not fall under the warranty conditions stated above, please include a written explanation with the product when returned.

Method of return shipment shall be the same or equal to the method by which the item was received by Pelco.

RETURNS

In order to expedite parts returned to the factory for repair or credit, please call the factory at (800) 289-9100 or (559) 292-1981 to obtain an authorization number (CA number if returned for credit, and RA number if returned for repair).

All merchandise returned for credit may be subject to a 20% restocking and refurbishing charge.

Goods returned for repair or credit should be clearly identified with the assigned CA or RA number and freight should be prepaid. Ship to the appropriate address below.

If you are located within the continental U.S., Alaska, Hawaii or Puerto Rico, send goods to:

Service Department
Pelco
3500 Pelco Way
Clovis, CA 93612-5699

If you are located outside the continental U.S., Alaska, Hawaii or Puerto Rico and are instructed to return goods to the USA, you may do one of the following:

If the goods are to be sent by a COURIER SERVICE, send the goods to:

Pelco
3500 Pelco Way
Clovis, CA 93612-5699 USA

If the goods are to be sent by a FREIGHT FORWARDER, send the goods to:

Pelco c/o Expeditors
473 Eccles Avenue
South San Francisco, CA 94080 USA
Phone: 650-737-1700
Fax: 650-737-0933

REVISION HISTORY

Manual #	Date	Comments
C1405M	10/94	Original version.
C1405M-A	12/94	Revised to include new PCB9000276 wiring diagram and parts list as per ECO#94-578.
C1405M-B	8/95	Revised Figure 1 to include new PCB9000277ASSY per ECO# 95-255. Revised Figure 9 and Section 4.1.5.
C1405M-C	3/96 7/96	Expanded installation instructions; added troubleshooting section; changed heater specifications. Changed specification for maximum camera size in -1, -2 and -3 models. Updated Figure 3 and respective table to show added 24 VDC rectifier per ECO # 96-159.
C1405M-D	9/96 5/98	Added temperature specifications when using heater, T147 thermal insulation and WD47 defroster. Removed installation instructions for accessories, which have a separate manual. Moved service information and exploded assembly drawings to new manual, C1405SM. Changed manual to new format.
C1405M-E	11/03	Updated certifications, corrected weight specification, and removed section numbering.

Pelco, the Pelco logo, Camclosure, Esprit, Genex, Legacy, and Spectra are registered trademarks of Pelco.
Endura and ExSite are trademarks of Pelco.

© Copyright 2003, Pelco.
All rights reserved.