

Value IP Series Network Camera

Compact-Sized 2MP/5MP/8MP, H265, IR & WDR

Quick Installation Guide



EBN Series



EZN Series

This Quick Installation Guide can be applied to the following models:

Series	2MP	5MP	8MP
EBN Series	EBN1240-A	EBN1540-A	EBN1840-A / EBN1840-A15
EZN Series	EZN1240-A	EZN1540-A	EZN1840-A / EZN1840-A15



Copyright © EverFocus Electronics Corp.

Release Date: January, 2019

All the images including product pictures or screen shots in this document are for example only. The images may vary depending on the product and software version. Information contained in this document is subject to change without notice.

EverFocus Taiwan:

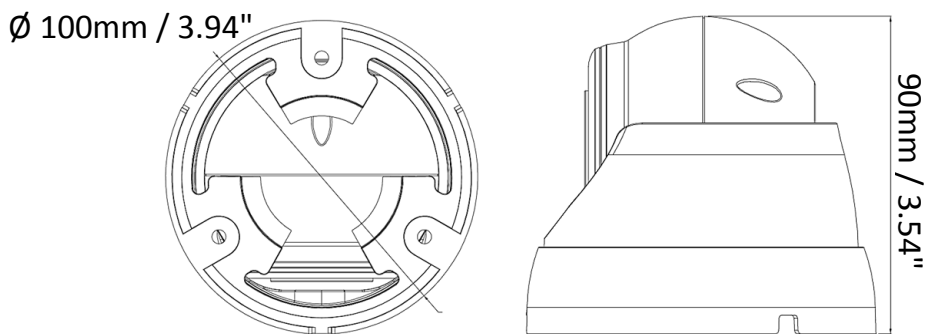
2F., No.12, Ln. 270, Sec. 3, Beishen Rd., Shenkeng Dist., New Taipei City 222, Taiwan
TEL: +886 2 2662 2338 FAX: +886 2 2662 3632 www.everfocus.com.tw

1. Introduction

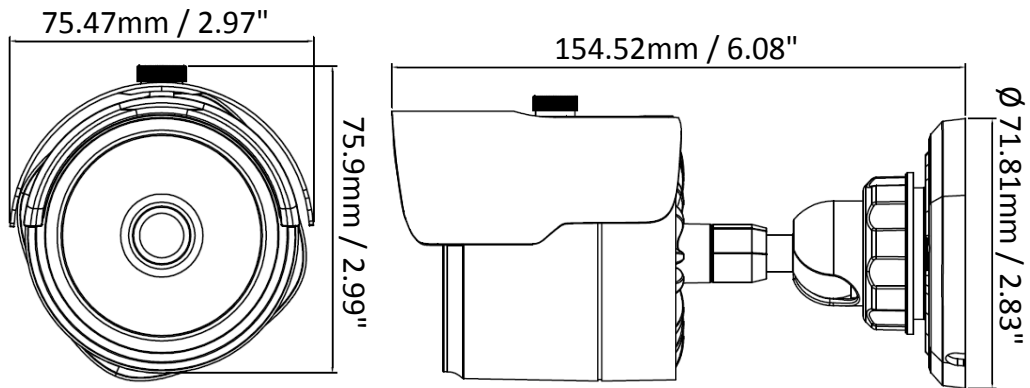
The compact-sized Value IP series H.265 Outdoor IP camera provides 30fps at 2MP / 5MP / 8MP (4K) viewing resolution and H.265 or H.264 video compression formats. The models come with 3.6mm lens and IP66 weather-proof housing. The Value IP series conforms to ONVIF for compatibility with other network video devices.

Dimensions

EBN Series

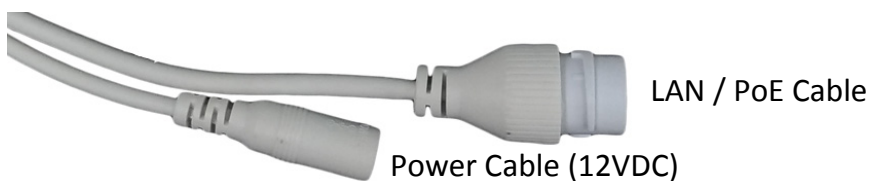


EZN Series



Cables

The cables provide connections for LAN/PoE and 12VDC power.



2. Packing List

Please check that there is no missing item in the package before installing.

EBN Series	EZN Series
1. Camera x 1	1. Camera x 1
2. MAC Address Sticker x 2	2. MAC Address Sticker x 2
3. Cable Gland Kit x 1	3. Cable Gland Kit x 1
4. Screw & Anchor x 3	4. Screw & Anchor x 3
5. Mounting Sticker x 1	5. Hexagon Wrench x 1
6. Quick Installation Guide x 1	6. Quick Installation Guide x 1
7. Software CD x 1	7. Software CD x 1

Note:

1. Equipment configurations and supplied accessories vary by country. Please consult your local EverFocus office or agents for more information. Please also keep the shipping carton for possible future use.
2. Contact the shipper if any items appear to have been damaged in the shipping process.

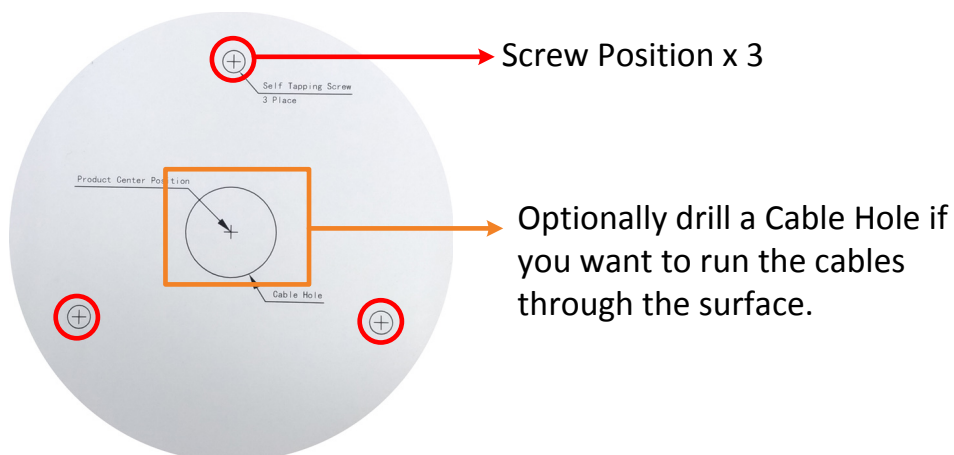
Optional Accessory

You can go to the product page on EverFocus' website to check the related optional accessories. www.everfocus.com.tw

3. Installation

3.1 EBN Series

1. Stick the **Mounting Sticker** on the surface to mark the 3 screw positions. Drill 3 screw-depth holes on the surface and then push the supplied 3 **Screw Anchors** into the holes. Optionally drill a Cable Hole on the center if you want to run the cables through the surface.



2. Twist the Outer Housing counterclockwise and then remove the Outer Housing.



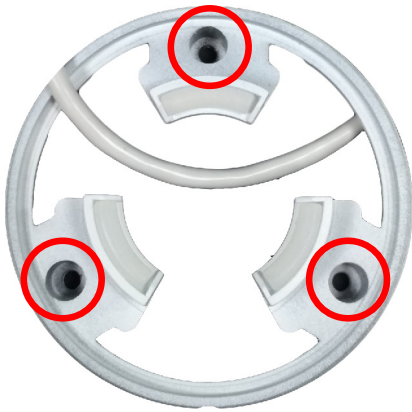
Twist Outer Housing counterclockwise



Remove the Outer Housing

3. Before screwing the Camera Base to the surface, thread the cables either from the side-cut of the Camera Base or through the surface.

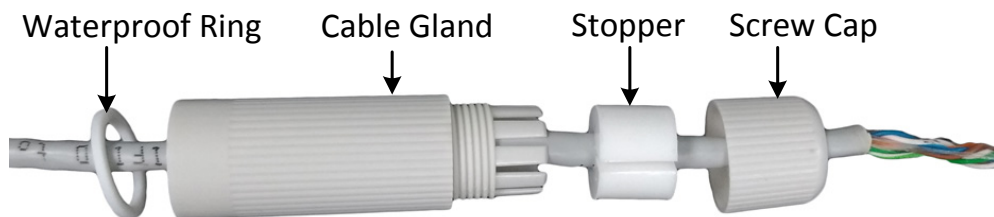
4. Screw the Camera Base to the surface using the supplied 3 **Screws**.



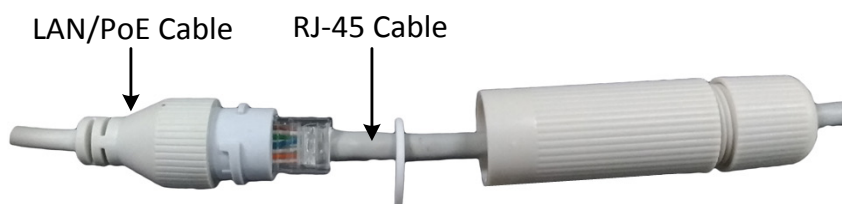
5. Place the camera body back to the Camera Base and twist back the Outer Housing. Do not twist the Outer Housing too tight as you will have to adjust camera angles while viewing camera live view.

6. Connect the camera to the network using the supplied **Cable Gland Kit**.

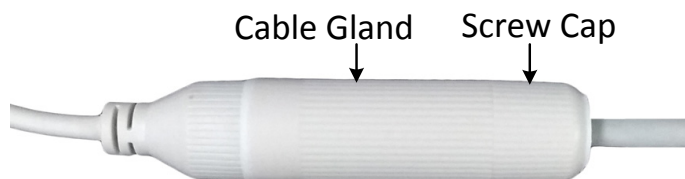
a. Insert a RJ-45 network cable (without the RJ-45 connector on the one end) through the supplied **Waterproof Ring, Cable Gland, Stopper** and **Screw Cap** accordingly.



b. Connect the RJ-45 cable to the **LAN/PoE Cable** of the camera.



c. Tightly screw the **Cable Gland** and **Screw Cap** to the Rugged RJ-45 Connector Cable.



d. Crimp the RJ-45 connector onto the RJ-45 network cable. Note that the wires should be placed into the RJ-45 connector based on the following order (from left to right).

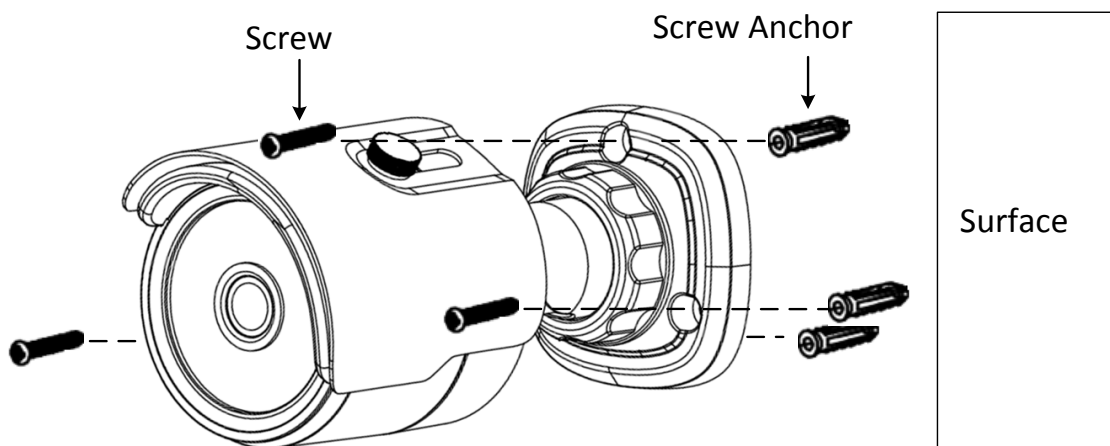
Orange with white stripe
Orange
Green with white stripe
Blue
Blue with white stripe
Green
Brown with white stripe
Brown



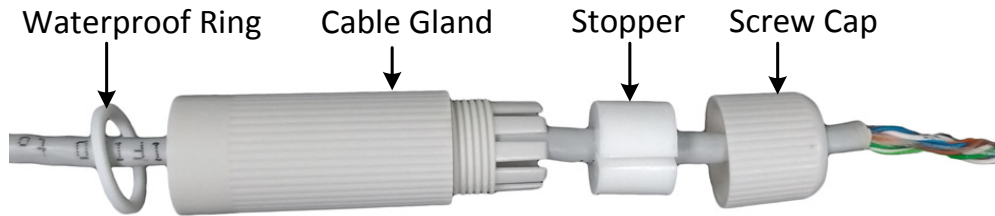
7. Connect the camera to power. You can either connect the camera to a 12VDC power source or to a PoE switch using the PoE cable.
8. Access the camera live view. See 4. *Accessing the Camera*.
9. Adjust camera angles and then tightly twist back the Outer Housing.

3.2 EZN Series

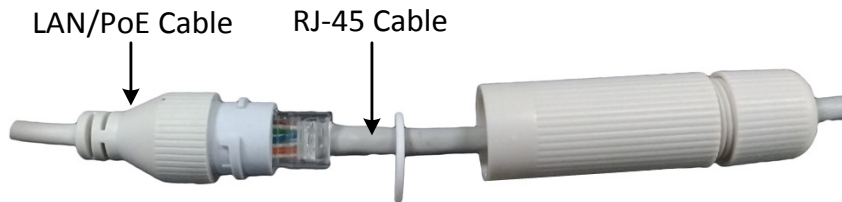
1. Drill three holes on the surface according to the Camera Base and then push the supplied 3 **Screw Anchors** into the holes. Drill another hole in the middle within the 3 screw holes if you wish to run the wires into the surface.
2. Before screwing the Camera Base to the surface, thread the cables either from the side-cut of the Camera Base or through the surface.
3. Screw the camera to the surface using the supplied 3 **Screws**.



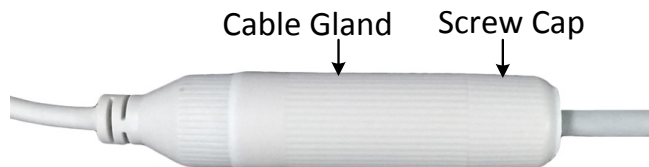
4. Connect the camera to the network using the supplied **Cable Gland Kit**.
 - a. Insert a RJ-45 network cable (without the RJ-45 connector on the one end) through the supplied **Waterproof Ring, Cable Gland, Stopper** and **Screw Cap** accordingly.



b. Connect the RJ-45 cable to the **LAN/PoE Cable** of the camera.



c. Tightly screw the **Cable Gland** and **Screw Cap** to the Rugged RJ-45 Connector Cable.



d. Crimp the RJ-45 connector onto the RJ-45 network cable. Note that the wires should be placed into the RJ-45 connector based on the following order (from left to right).

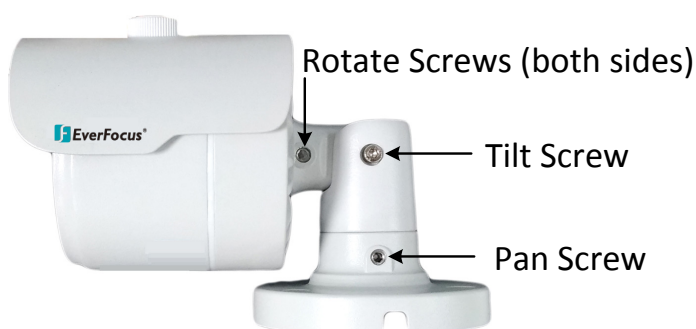
- Orange with white stripe
- Orange
- Green with white stripe
- Blue
- Blue with white stripe
- Green
- Brown with white stripe
- Brown



5. Connect the camera to power. You can either connect the camera to a 12VDC power source or to a PoE switch using the PoE cable.

6. Access the camera live view. See 4. *Accessing the Camera*.

7. Adjust the pan/tilt/rotate angles of the camera by loosen the Pan/Tilt/Rotate screws using the supplied **Hexagon Wrench**.



4. Accessing the Camera

You can look up the IP address of the IP camera using the **IP Utility (IPU)** program, which is included in the software CD.

The default IP mode of the IP camera is DHCP. However, if there is no dynamic IP address assigned to the device, its IP will switch to 192.168.0.10

By default, the ID is **admin** and there is no password. Please input a password for the first-time login.

