

PASSIVE INFRARED DETECTOR

CX-702 , CX-702V
STANDARD ALARM MEMORY



FEATURES

CX-702 / CX-702V

- Dual Purpose Lens:Selectable "WIDE ANGLE" and "LONG RANGE" detection patterns
- Double Conductive Shielding of the pyroelectric element
 - Extremely High Light and RFI Immunity (Patent listed)
- Multifocus Optics Design (Patent listed)
- LED On/Off Switch
- Sealed Optics
- Easy Installation

CX-702V Only

- Alarm Memory
- LED Remote Control Terminal

- ※The CX-702 is UL Listed per UL639, Intrusion-Detection Units.
- ※The CX-702V has not been investigated by UL.

OPTION

- CA-1W : Wall Mount Bracket : adjustable $\pm 45^\circ$ (Horizontally), 0-20°(Vertically downwards)
- CA-2C : Ceiling Bracket : adjustable $\pm 45^\circ$ (Horizontally), 0-20°(Vertically downwards)

1.INSTALLATION HINTS

1

Avoid direct sunlight.

2

Avoid mounting detector where movement of Fans or Air Conditioning Fans can be detected.

3

Avoid vapor or high humidity that can cause condensation.

4

Avoid Curtain, Screen, etc. blocking detection area.

5

Do not install outdoors.

6

WARNING

Never repair or modify product. It may cause accident, fire hazard or electric shock.

7

WARNING

When damage has occurred to the product, i.e. water logged, abnormal things inside product, overheating or smoking, strange smells etc., immediately stop using product and contact your supplier. Otherwise, continued use in such condition may cause electric shock or fire hazard.

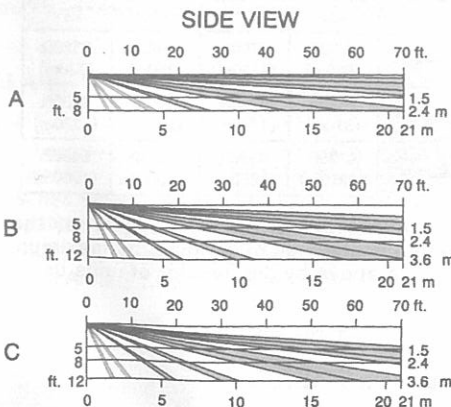
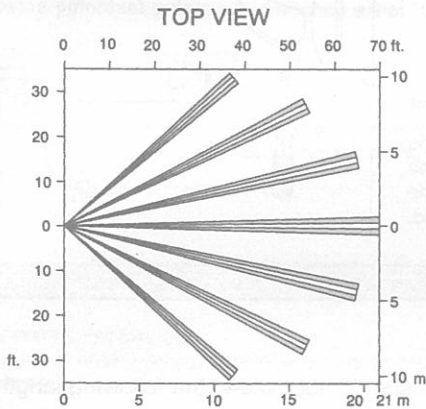
8

CAUTION

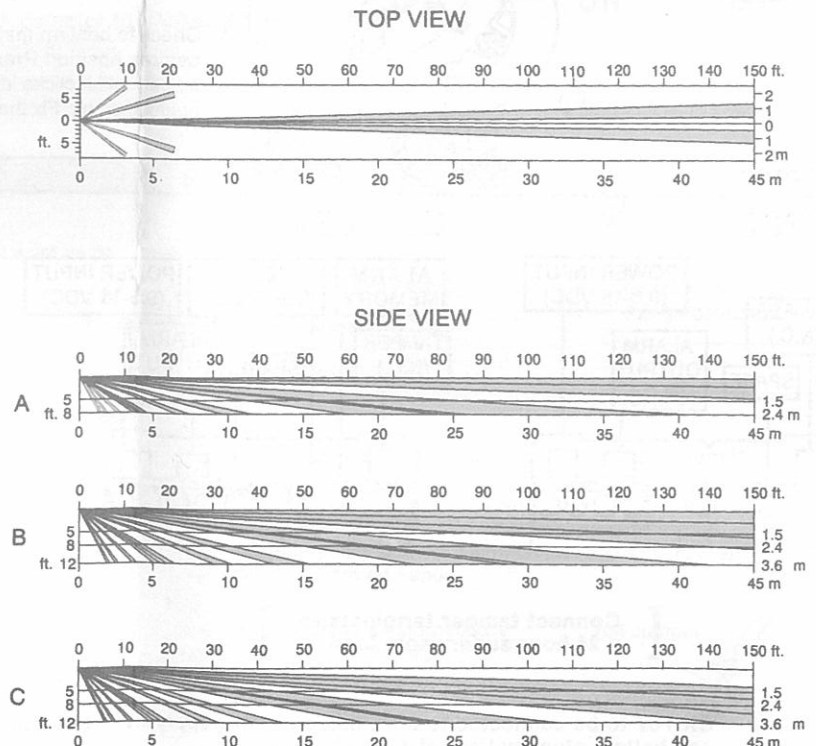
Mount securely. A falling product may cause injury.

2.DETECTION AREA

WIDE ANGLE



LONG RANGE



****ATTENTION****

The specified detection area can be achieved by mounting the unit at a height of 8ft.(2.4m). Mounting at a lower or higher height may reduce the area of coverage.

8. TROUBLE SHOOTING

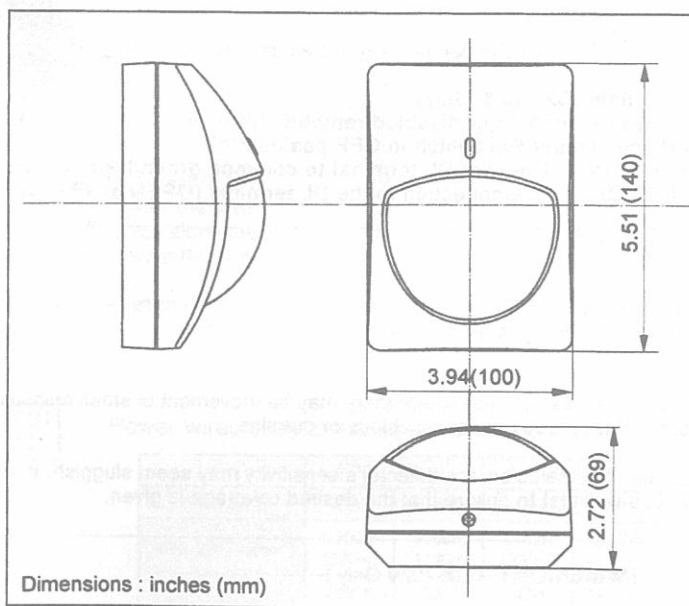
PROBLEM	PROBABLE CAUSE	REMEDY
LED does not light.	Improper power supply voltage (disconnection, low voltage).	Correct supply voltage to 9.5 - 16V DC. See Section 5.
	Improper detection area.	See Section 2.
	LED switch is OFF.	Turn on the switch.
	Improper polarity to detector.	Switch positive and negative at terminal.
LED lights even though no person within area.	Moving object within area (curtain, wall hanging, etc.).	Remove the sources from the detection area.
	Temperature of object within area changing rapidly (heater, air conditioning, etc.).	Remove object from the detection area.
LED lights but signal is not sent.	Relay contact is stuck or damaged due to overloading.	Check load of output. The unit needs repair or replacement.
LED continues to light	Faulty wiring.	Wire correctly.
	Poor connection of alarm memory.	Reconnect wire.
	Wrong control voltage from panel.	Must be 0-1V DC(grounded) See Section 7-3.

9. SPECIFICATIONS

Model	CX-702 / CX-702V	
Detection method	Passive infrared	
Coverage	Wide Angle 85°wide 70ft. × 70ft. (21m × 21m)	Long Range 150ft. × 8ft. (45m × 2.4m)
	Detection zones	68 zones / 22 zones
Mounting height	5 - 12ft. (1.5 - 3.6m)	
Sensitivity	3°F at 2ft./sec., 8ft. mounting height (1.6°C at 0.6m/sec., 2.4m mounting height)	
Detectable speed	1- 5ft. / sec. (0.3 - 1.5m/sec.)	
Power input	9.5 - 16VDC	
Alarm period	Approx. 2.5 sec.	
Alarm output	N.C. 28VDC 0.2A max.	
Tamper switch	N.C. Opens when cover is removed. 28VDC 0.1A max.	
Pulse count	Approx. 20 sec. 2 or 4	
Warm-up period	Approx. 1 min.	
LED indicator	Alarm condition	
RF interference	No alarm 30V/m	
Operating temperature	-4°F - +122°F (-20°C - +50°C)	
Environment humidity	95% max.	
Weight	7.0oz (200g)	

Model	CX-702
Current draw	8mA (normal) / 11mA (max.) at 12VDC

Model	CX-702V
Current draw	8mA(normal) / 16mA(max.) at 12VDC
Alarm Memory	See Section 7-3.
D.L. terminal	See Section 7-1.



*Specifications and design are subject to change without prior notice.



NOTE

These units are designed to detect movement of an intruder and activate an alarm control panel. Being only part of a complete alarm system, we cannot accept responsibility for any damages or other consequences resulting from an intrusion. These products conform to the EMC Directive 2004/108/EC.

OPTEX CO., LTD. (JAPAN)
(ISO 9001 Certified)
(ISO 14001 Certified)
5-8-12 Ogoto Otsu
Shiga 520-0101
JAPAN
TEL:+81-77-579-8670
FAX:+81-77-579-8190
URL:<http://www.optex.co.jp/en/>

OPTEX INCORPORATED (USA)
TEL:+1-909-993-5770
Tech:(800)966-7539
URL:<http://www.optexamerica.com/>

OPTEX (EUROPE) LTD. (UK)
TEL:+44-1628-431000
URL:<http://www.optex-europe.com/>

OPTEX SECURITY SAS (FRANCE)
TEL:+33-437-55-50-50
URL:<http://www.optex-security.com/>

OPTEX SECURITY Sp.z o.o. (POLAND)
TEL:+48-22-598-06-55
URL:<http://www.optex.com.pl/>

OPTEX KOREA CO., LTD. (KOREA)
TEL:+82-2-719-5971
URL:<http://www.optexkorea.com/>

OPTEX (DONGGUAN) CO., LTD. SHENZHEN OFFICE (CHINA)
TEL:+86-755-33302950
URL:<http://www.optexchina.com/>