



CV-TACIP-100 SERIES

INTEGRATED VOIP TELEPHONE ENTRY AND NETWORK ACCESS CONTROL SYSTEM



CV-TAC IP

OVERVIEW

Camden's TAC IP integrated telephone entry, access control and intercom system offers exceptional value, a full range of advanced system features and a rugged design for years of trouble free service. TAC IP utilizes the latest Internet technology to reduce telephone line charges (with built-in VOIP communications) and makes installation, administration and maintenance easier than ever before (with browser-based software).

TAC IP includes the widest range of panels, accessories and devices to provide a complete security solution for commercial and multi-unit residential buildings, with up to 2,000 users, and 32 access controlled doors and elevator control.

SYSTEM FEATURES

Browser based software: Google Chrome. No software to install or update.

Intuitive graphic user interface: TAC IP offers easy to understand and use installer and operator administration screens.

Systems integration: TAC IP is a fully integrated (networked) telephone entry, access control and intercom system utilizing a common management interface and database. Advanced features of the system include elevator control and concierge.

VOIP Internet service: allows for online programming and system diagnostics.

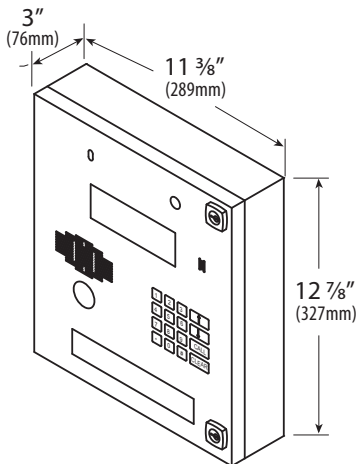
Networked system: Network up to 32 entry panels, card readers or elevator cabs (combined). Manage the system from a single PC.

Master/Slave configuration: Allows all resident data to be uploaded to all panels simultaneously.

Detailed audit log: 4,000 events. Records all telephone and access control events.

Easy updates: Import and export tenant directory data (CSV. file format)

Mount Panel anywhere: TAC IP telephone entry panels can be surface or semi-flush mounted, with a selection of trim rings, and feature a water resistant design. An optional heater is available for environments below +32°F (0°C).



CV-TAC IP

TELEPHONE ENTRY FEATURES

Elegant Design: Telephone entry panels, with flush back-lit keys, are designed to be highly attractive while also providing exceptional vandal resistance.

Large directory: Backlit 4 line LCD display with up to 2,000 names.

Sized For retrofit: TAC IP telephone entry panels are designed to fit existing in-wall box size of Sentex, SES, Door King and Mircom panels. 2" and 4" wide stainless steel semi-flush mount trim rings also available.

Greeting message: Display a unique 20 character greeting.

Postal lock: Mounting posts and knock-out provided.

VoIP technology: Reduce the monthly phone charges while providing revolutionary new call management capabilities, including:

Dial Cast: Call a resident's landline and cellular phone simultaneously.

Call Escalation: Call sequential telephone numbers until the call is answered.

Built-in Caller ID: Lets residents know the call is from the entry system.

Call Scheduling: 'Do Not Disturb' times can be defined by user.

Two Way Communications: Between phones, entry panels and intercom stations

Built-in Email messaging: Alert residents when they have missed visitors.

Built-in Video Camera: 4 FPS, for visitor identification.

Concierge: Greet visitors remotely, speed dial residents or initiate calls to panels/stations. TAC IP supports a full range of concierge service.

ACCESS CONTROL FEATURES

Advanced design: TAC IP is a fully integrated access control system, up to 32 doors and 2,000 card holders.

Full featured: TAC IP offers advanced access control with easy to use graphic software, 256 access levels, 256 time zones and 100 holiday schedules.

Elevator control: Control up to 4 elevator cars with up to 64 floors per car.

Built-in card reader: HID/AWID format reader built into face of TAC IP panel.

Integration with other access control systems: TAC IP has (2) 26 bit Wiegand outputs for connection to other access control systems, should the application require a separate system, or there is an existing access control system on site.

SPECIFICATIONS

SYSTEM

BROWSER REQUIREMENT: GOOGLE CHROME, MOZILLA FIREFOX, I.E. 10 OR LATER

NETWORK INTERFACE: 1

RS485 PORT: 1 (PROPRIETARY PROTOCOL)

SLAVE SUPPORT: 5 TELEPHONE ENTRY PANELS (MAX.) AND 32 DEVICES READERS, OR ELEVATOR CABS

AUDIT: 4,000 EVENTS

OPERATING TEMPERATURE: +32°F TO +122°F (0°C TO +50°C)

OPERATING TEMP/HEATER: -22°F TO +122°F (-30°C TO +50°C)

DIMENSIONS: **PANEL:** 13" H x 11.375" W x 3" D
(330mm x 289mm x 76mm)

MOUNTING CAVITY: 13.25" H x 11.5" W x 2" D
(336mm x 292mm x 51mm)

TELEPHONE ENTRY

NO. OF ENTRY PANELS: 1 TO 5

SUITE DIRECTORY: UP TO 2,000 NAMES WITH 4 LINE TENANT LISTING

DIAL CODE NUMBER: 3, 4, OR 5 DIGIT

PIN CODES: 1 KEYLESS ENTRY, 1 EMS SERVICES

INPUT POWER: 12VDC @2A REVERSE PROTECTED

LCD DISPLAY: BACK-LIT 4 X 20 CHARACTER

KEYPAD: BACK-LIT ATM GRADE 12 DIGIT CALL & 4 NAVIGATION
(UP/DOWN/CALL/CLEAR)

GREETING MESSAGE: 20 CHARACTERS

COMMUNICATIONS: HANDS FREE, FULL DUPLEX

VOIP: BUILT-IN, VISTA DIAL VOIP SERVICE

RELAYS: 3 X FORM C (2AMP@30V AC/DC)

INPUTS: DOOR CONTACT
REQUEST TO EXIT SWITCH
REQUEST TO EXIT DETECTOR
POSTAL LOCK
TAMPER SWITCH

POSTAL KEY LOCK: YES (MOUNTING POSTS AND KNOCK OUT)

CAMERA: BUILT-IN, 4 FRAMES PER SEC, RESOLUTION 400 X 328

BROWSER REQUIREMENT: GOOGLE CHROME, MOZILLA FIREFOX, I.E. 10 OR LATER

SPECIFICATIONS

ACCESS CONTROL

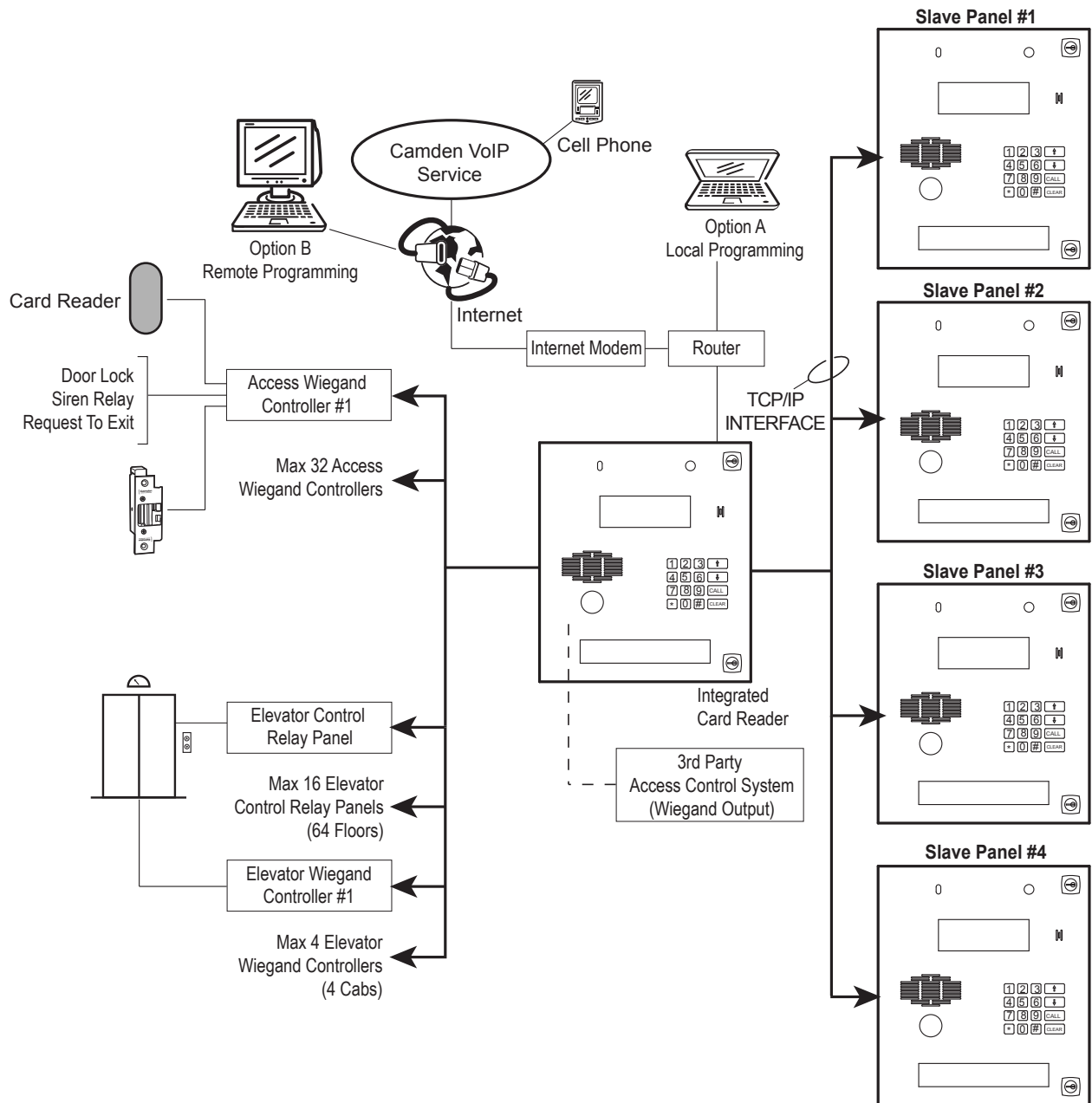
NO. OF DOORS:	1 TO 32
NO. OF ELEVATOR CABS:	4 CABS X 64 FLOORS EACH
TIME ZONES:	256
DOOR ACCESS LEVELS:	256
ELEVATOR ACCESS LEVELS:	256
HOLIDAY DATES:	100
MULTIPLE DATE HOLIDAYS:	YES
WIEGAND INPUT:	PROPRIETARY 35 BIT OR 26 BIT WIEGAND
CARD READER (PANEL):	1
WIEGAND OUTPUTS:	(1) AUTHORIZED ACCESS (1) ELEVATOR CONTROL
WIEGAND OUTPUT FORMAT:	26 BIT

SYSTEM DIAGNOSTICS

System Monitoring: The functionality and environmental conditions of the system can be remotely monitored.

Network: System monitors local area and wide area network connectivity.

Environment: System monitors levels of temperature.



ORDERING INFORMATION

TELEPHONE ENTRY/ACCESS PANEL

CV-TACIP-100: VOIP TELEPHONE ENTRY AND ACCESS CONTROL PANEL, BROWSER BASED SOFTWARE, NETWORK AND RS485 INTERFACE INCLUDED

PANEL OPTIONS

CV-TAC-4PRA: PANEL MOUNTED HID/AWID DUAL FORMAT PROX. READER, FACTORY INSTALLED

CV-TACIP-5HT: PANEL HEATER, REQUIRED FOR INSTALLATIONS BELOW +32°F (0°C)

CV-TACIP-VPG: VOIP PHONE FOR GUARD STATION

MOUNTING ENCLOSURES

CV-TACIP-TR2: 2" SS PANEL TRIM RING, FOR SEMI-FLUSH MOUNTING

CV-TACIP-TR4: 4" SS PANEL TRIM RING, FOR SEMI-FLUSH MOUNTING

CV-TACIP-WHF: SEMI-FLUSH SS WEATHER HOOD, WITH 2" TRIM RING

CV-TACIP-WHS: SURFACE STAINLESS STEEL WEATHER HOOD

CV-TACIP-GAM: GOOSE NECK ADAPTOR PLATE FOR SURFACE PANELS WITH WEATHER HOOD

CONTROLLERS

CV-TAC4WC: WIEGAND CONTROLLER FOR ADDING UP TO 32 REMOTE PROX READERS, RF, OR KEYPADS. UP TO 4 WIEGAND CONTROLLERS CAN BE DESIGNATED FOR ELEVATOR CAB CONTROL

CV-TAC4EL: ELEVATOR CONTROLLER (ONE REQUIRED PER 16 FLOORS, PER CAB)

HID/AWID DUAL FORMAT READER

CV-7400: AWID/HID COMPATIBLE PROX READER, MULLION STYLE, UP TO 4"-5" READ RANGE

CV-7820: AWID/HID COMPATIBLE PROX READER, SINGLE GANG, UP TO 4"-5" RANGE

WIRELESS ACCESS

CV-TACIP-6RX: 6 CHANNEL WIEGAND WIRELESS RECEIVER

CV-TACIP-4TX: 4-BUTTON TRANSMITTER C/W WAFER, (10/PKG.)

VOIP/SITE COMMUNICATIONS SERVICE

VISTADIAL: VISTADIAL™ 3RD PARTY VOIP TELEPHONE AND TECHNICAL SUPPORT SERVICE

COMPATIBLE PROX. CARDS & KEY TAGS

CV-CSA: AWID FORMAT PROX CARDS, CLAM SHELL STYLE, PACKAGE OF 10

CV-CSH: HID FORMAT CLAM SHELL PROX. CARD, PACKAGE OF 10

CV-CSA-B: AWID FORMAT PROX CARDS, CLAM SHELL STYLE, PACKAGE OF 100

CV-CSH-B: HID FORMAT CLAM SHELL PROX. CARD, PACKAGE OF 100

CV-ISA: AWID FORMAT ISO PROX CARD, PACKAGE OF 10

CV-ISA-B: AWID FORMAT ISO PROX CARD, PACKAGE OF 100

CV-KTA: AWID FORMAT PROX KEY TAG, PACKAGE OF 25

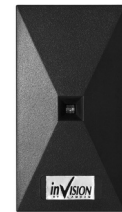
CV-KTH: HID FORMAT PROX TAG, PACKAGE OF 25



CV-TAC4WC
WIEGAND CONTROLLER



CV-TAC4EL
ELEVATOR CONTROLLER



CV-7400
CARD READER



CV-CSH CARDS



FOB
CV-KTH