

# Pole Mount Bracket

## CI-808 / CI-815



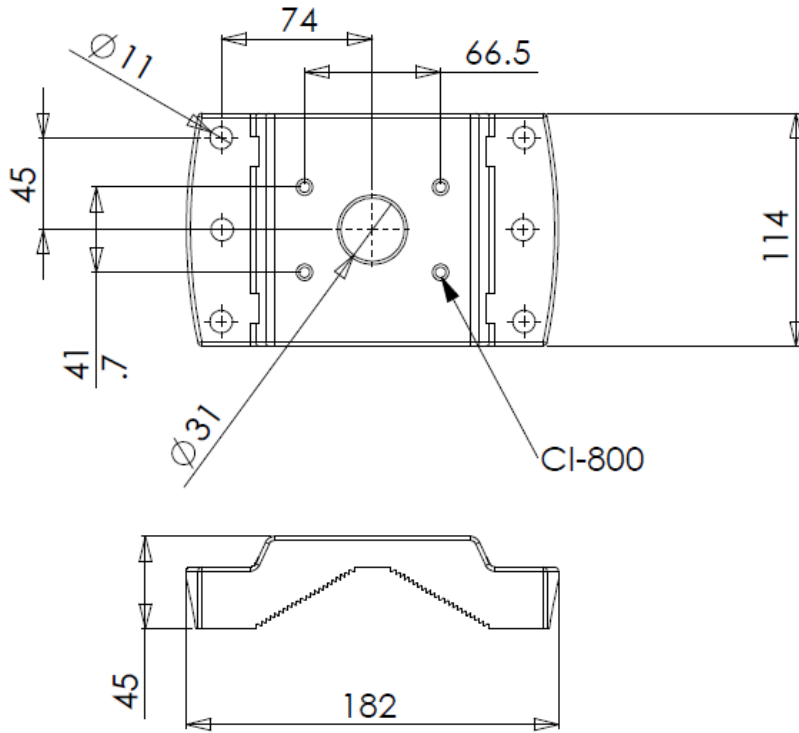
### CI-808

<b>Item NO.</b>	CI-808 Pole Mount Bracket
<b>Construction</b>	Die Cast Al-alloy Material
<b>Bracket Dimensions</b>	182 L x 45 H x 114 W mm
<b>Coating</b>	Beige and white epoxy powder coating
<b>Max Load.</b>	20KG
<b>Packing</b>	18pcs/CTN
<b>Weight</b>	1.2KG
<b>Application Use</b>	For pole
<b>Suitable for poles with diameter 56.7mm~136mm</b>	
<b>Certification:</b>	RoHS Compliant/CE
Fit for different type of camera housing bracket with Stainless tube thread and screws	

### CI-815

<b>Item NO.</b>	CI-815 Pole Mount Bracket
<b>Construction</b>	Die Cast Al-alloy Material
<b>Bracket Dimensions</b>	277.4 L x 75 H x 168.1 W mm
<b>Coating</b>	Beige and white epoxy powder coating
<b>Max Load.</b>	30KG
<b>Packing</b>	8pcs/CTN
<b>Weight</b>	2.4KG
<b>Application Use</b>	For pole
<b>Suitable for poles with diameter 70 mm to 120mm &amp; 120mm to 230mm</b>	
<b>Certification:</b>	RoHS Compliant/CE
Fit for different type of camera housing bracket with Stainless tube thread and screws	

CI-808



CI-815

