

# RING

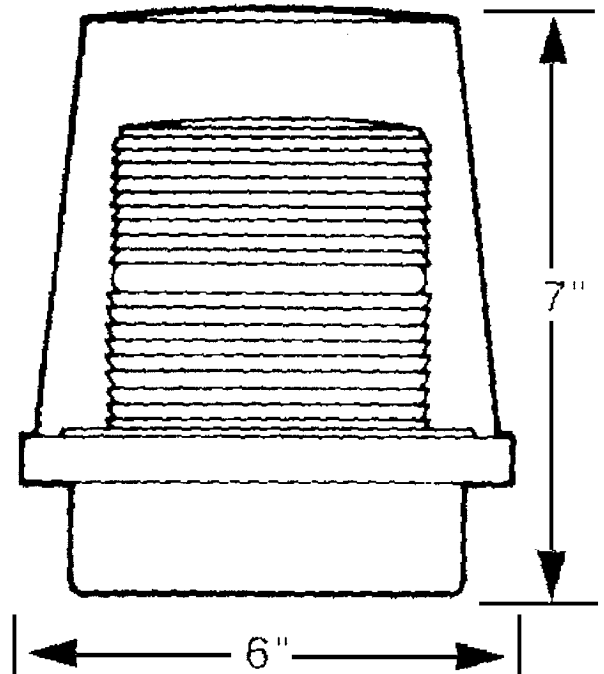
COMMUNICATIONS, INC. 

## BSTAR

### Blue Strobe Light with Cover

For use with :

SS910, SS910, SS912, SS913 ,  
SS900A, SS900B Substations with  
AN912, AN912RR call in interface.



The strobes are made for maximum brilliance in all types of situations. Computer designed optics help penetrate rain, fog smog and snow with the finest optics of any strobe anywhere. It provides an evenly distributed 360 degree flash that fills the fresnel lens with a full wide oversquare column of light. Maintenance needs are few and far between but, when necessary, it's easy. All modular design components and encapsulated circuitry make for quick repairs and minimal down time.

Rugged construction with solid state design (no moving parts) provides long term dependable performance in extreme temperature and conditions with no change in intensity or frequency, yet with exceptionally low power usage. The Strobes withstand vibration and impact, and resist dust, dirt, cold and wet environments.

The BSTAR strobes are reverse-polarity protected and will not operate if the leads are improperly connected.

Easy to install, on level or angled surfaces.

- **Rugged die-cast anodized spun aluminum case.**
- **Base threaded for 1/2" pipe mount. Includes knockouts for permanent mounting.**
- **Outer dome for added protection and ease of cleaning.**

Operating voltage: 24 VDC

Current Drain: .5 amps

Joules: 3

Specifications subject to change without notice for improvement of product.



42 Central Drive  
Farmingdale, NY 11735-1202  
TOLL-FREE 1-800-666-4800

Phone (631) 777-5500 Fax: (631) 777-5599

Email: [info@alpha-comm.com](mailto:info@alpha-comm.com)

Internet: <http://www.alpha-comm.com>