

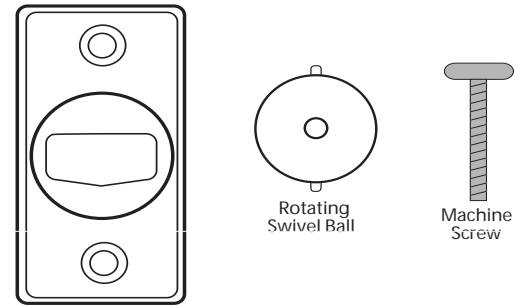
Low Profile Swivel Mount Bracket B335



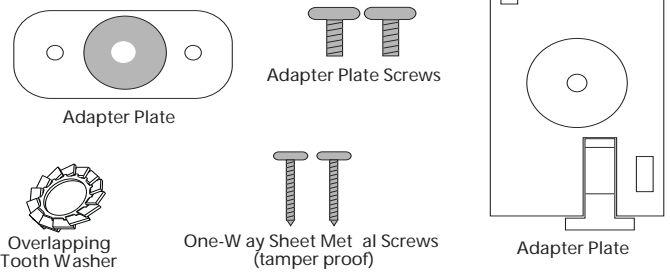
en Installation Instructions



Kit includes:



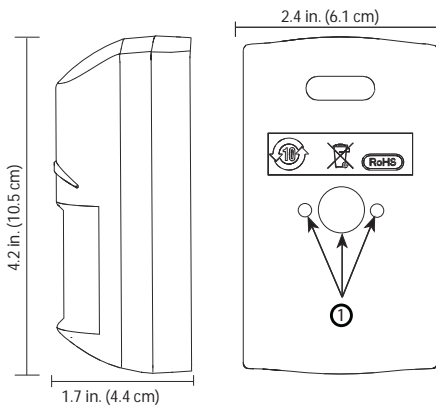
B335 Swivel Mount Bracket Base



Description

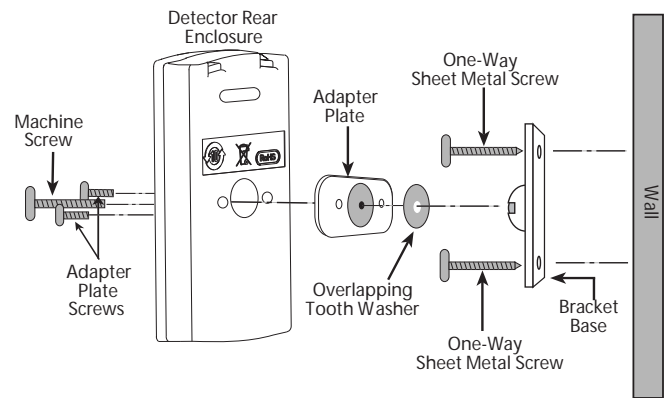
The B335 Low Profile Swivel Mount Bracket is a mounting bracket designed for use with several product series from Bosch Security Systems, Inc. It provides +10° to -20° vertical and ±25° horizontal pointability. This bracket is intended to be surface mounted on a wall. The B335 is not recommended for pet applications.

If unit has these dimensions and features:

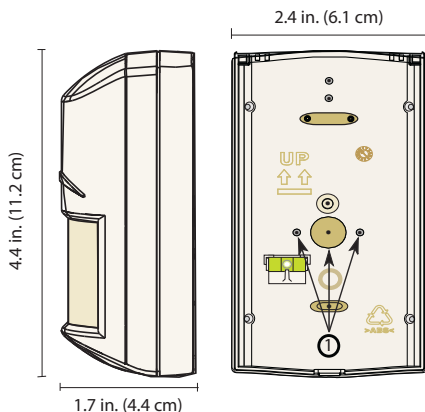


① Mounting holes for adapter plate. (Punch out to receive screws.)

Then mount as follows:

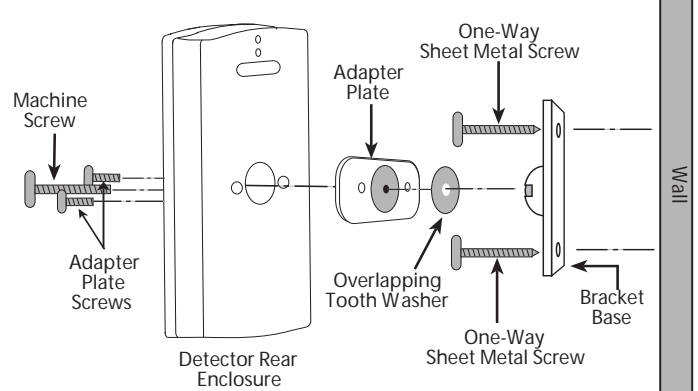


If unit has these dimensions and features:

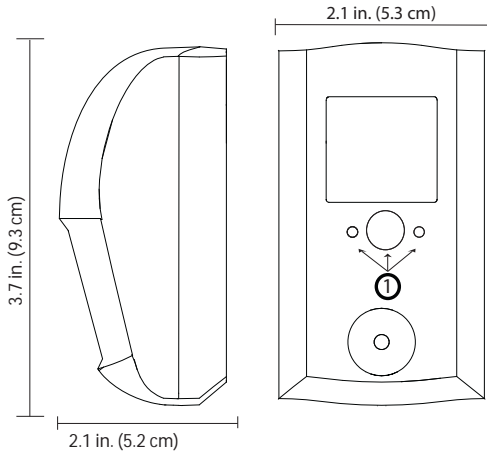


① Mounting holes for adapter plate. (Punch out to receive screws.)

Then mount as follows:

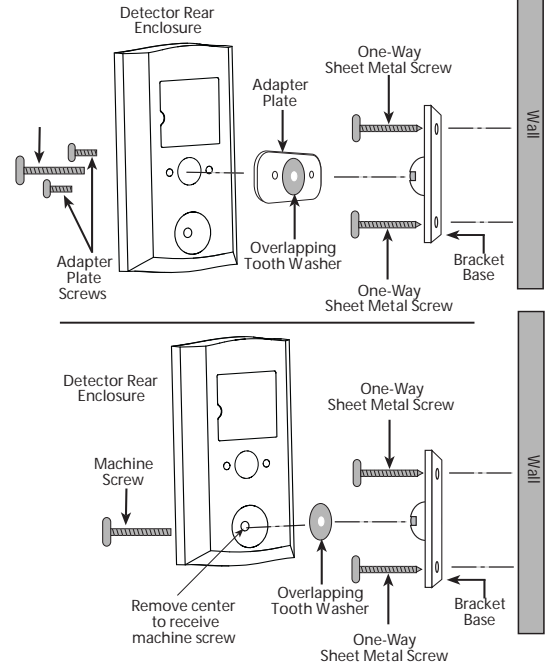


If unit has these dimensions and features:

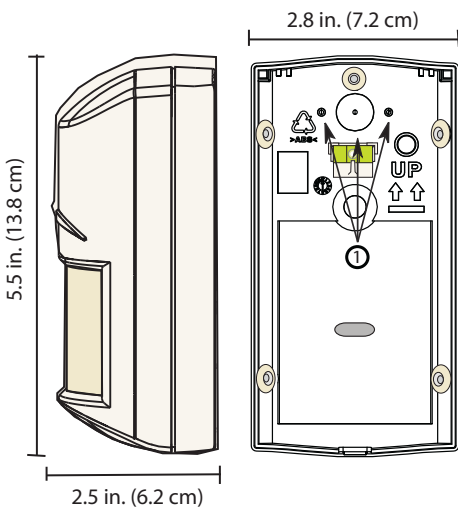


① Mounting holes for adapter plate. (Punch out to receive screws.)

Then mount as follows: (choose one method)

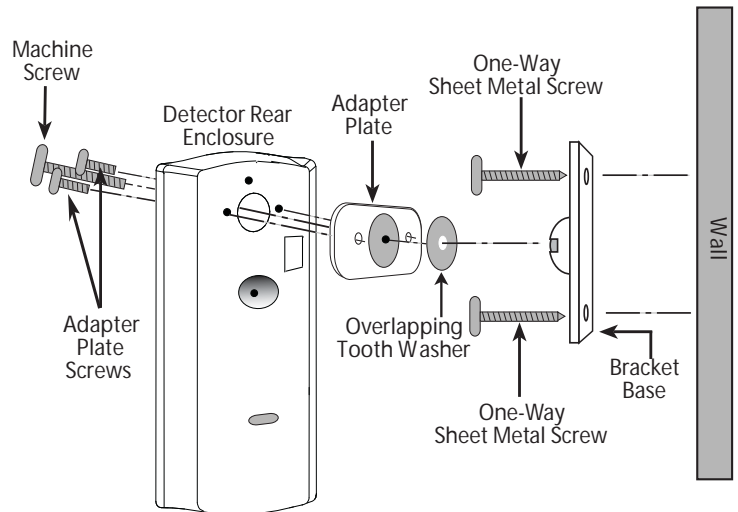


If unit has these dimensions and features:

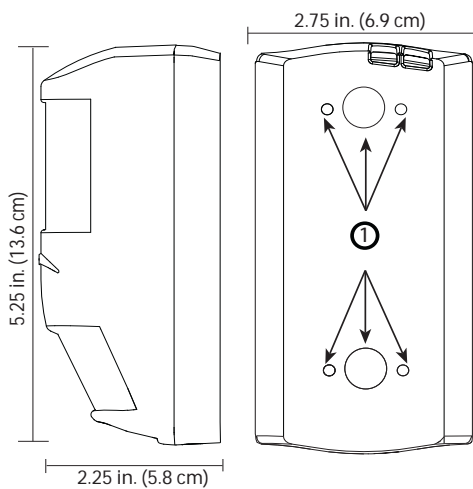


① Mounting holes for adapter plate. (Punch out to receive screws.)

Then mount as follows:

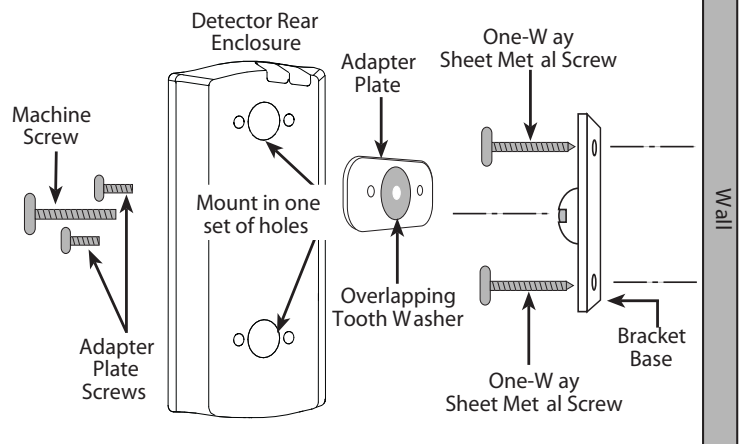


If unit has these dimensions and features:



① Mounting holes for adapter plate. (Punch out to receive screws.)

Then mount as follows:



Reading Bosch Security Systems, Inc. Product Date Codes
For Product Date Code information, refer to the Bosch Security Systems, Inc. Web site at:
<http://www.boschsecurity.com/datecodes/>.

