

## MicroDome® IP Megapixel Cameras

1.3, 1080p, 3, and 5 Megapixel (MP) H.264 All-in-One Ultra Low Profile True Day/Night Indoor/Outdoor Dome IP Cameras with SNAPstream™ (Smart Noise Adaptation and Processing) and WDR (Wide Dynamic Range) Models



Arecont Vision introduces MicroDome megapixel IP cameras. These small, ultra low profile cameras offer the great features of Arecont Vision megapixel technology like superior image quality, excellent compression and fast frame rates. MicroDome is available in both recessed and surface mount configurations. An innovative spring arm design makes recessed installation

a snap: simply slide the camera through the hole and secure the magnetized cover ring with a single screw. Every model comes equipped with a mechanical day/night switcher, and pixel binning on 3- and 5-megapixel models deliver excellent low light capabilities. Add optional true Wide Dynamic Range (WDR) and difficult lighting conditions are overcome with MicroDome.



Ultra Low Profile Design



SNAPstream™ Technology



Wide Dynamic Range Available on Select 1080p and 3MP Models



True Day/Night with Mechanical IR Cut Filter



CorridorView™ with 90° Image Flip



Pixel Binning Mode on 3 and 5MP Models



All-in-One PoE and Integrated Lens



Casino Mode™ Maintains at Least 30fps on Select 1080p Models



Impact / Weather Resistant IK-10 and IP66 Rated (-S Models)



Integrated Microphone (-F Models)

### Series Features

- 1.3, 1080p, 3, or 5MP Models
- SNAPstream™ Capability to Reduce Bandwidth without Impacting Image Quality
- True Day/Night Functionality with Mechanical IR Cut Filter
- Binning Mode for Strong Low Light Performance on 3MP and 5MP Cameras
- True WDR up to 100dB at Full Resolution Available on Select 1080p and 3MP Models
- Casino Mode™ Maintains 30fps or Higher Required by Gaming Industry Regulations (Select 1080p Models)
- CorridorView™ Allows 90° Image Rotation for Better Coverage in Hallways and Corridors
- Privacy Mask, Motion Detection, Flexible Cropping, Bit Rate Control, Multi-Streaming, Multicasting, and Forensic Zooming
- Multiple Lens Options Available (Sold Separately)
- Dual Encoder H.264/MJPEG
- Network Protocols Include 802.1x, IPv6, QoS, DHCP, and More
- All-in-One H.264 Total Power Over Ethernet (PoE) Solution
- Ultra Low Profile Design / Small Size
- Very Easy Installation / Factory Focused
- Tamper-Resistant Housing
- IK-10 Impact-Resistant Housing Outdoor Rated IP66 (-S Models)
- Integrated Microphone (-F Models)

Camera Imaging Specifications

Model	AV1455DN	AV2455DN	AV2456DN	AV3455DN	AV3456DN	AV5455DN	
<b>Image Sensor (CMOS)</b>	1.3MP	1080p (2.1MP)	1080p (2.1MP)	3MP	3MP	5MP	
<b>Optical Format</b>	1/2.7"	1/2.7"	1/3.2"	1/2.5"	1/3.2"	1/2.5"	
<b>Pixel Pitch</b>	3µm	3µm	2.2µm	2.2µm	2.2µm	2.2µm	
<b>Minimum Illumination</b>	Color	0.1 Lux	0.1 Lux	0.2 Lux	0.3 Lux	0.2 Lux	0.3 Lux
	Color Binning	-	-	-	0.15 Lux	0.1 Lux	0.15 Lux
	Day/Night	0.01 Lux, IR sensitive	0.01 Lux, IR sensitive	0.02 Lux, IR sensitive	0.03 Lux, IR sensitive	0.02 Lux, IR sensitive	0.03 Lux, IR sensitive
<b>Full FOV Resolution</b>	1280 H x 1024 V	1920 H x 1080 V	1920 H x 1080 V	2048 H x 1536 V	2048 H x 1536 V	2592 H x 1944 V	
<b>1/4 Resolution</b>	640 H x 512 V	960 H x 540 V	960 H x 540 V	1024 H x 768 V	1024 H x 768 V	1296 H x 972 V	
<b>Dynamic Range</b>	69dB	69dB	WDR up to 100dB	70.1dB	WDR up to 100dB	70.1dB	
<b>Frame Rates†</b>	At Max Res.	42fps (1280 x 1024)	30fps (1920 x 1080)	30fps (1920 x 1080)	21fps (2048 x 1536)	21fps (2048 x 1536)	14fps (2592 x 1944)
	Cropped	-	42fps (1280 x 1024)	30fps (1280 x 1024)	29fps (1920 x 1080) 41fps (1280 x 1024)	30fps (1920 x 1080) 30fps (1280 x 1024)	21fps (2048 x 1536) 29fps (1920 x 1080) 41fps (1280 x 1024)
	Binning Mode	-	-	-	46fps (1024 x 768) 64fps (960 x 540)	21fps (1024 x 768) 21fps (800 x 600) 21fps (960 x 540) 21fps (640 x 512)	34fps (1296 x 972) 46fps (1024 x 768) 64fps (960 x 540)
<b>Lens*</b>	Fixed Iris	<b>MPM2.8A</b> 2.8mm, 1/2.5", F/1.8, IR corrected, M12-mount					
	H-FOV	75°	114°	83°	89°	89°	113°

\* 2.8mm standard lens

Programmability

<b>Optics</b>	M12 lens
<b>Low Light Performance</b>	<b>Pixel Binning Mode</b> 3MP and 5MP models
<b>Picture-in-Picture</b>	Simultaneous delivery of full field-of-view and zoomed images
<b>Programmable Shutter Speed</b>	Controls motion blur, 1ms–500ms
<b>Motion Detection</b>	Real-time, 1024 detection zones
<b>Privacy Masking</b>	Unlimited
<b>Casino Mode™</b>	Maintains 30fps or higher (AV2455 model)
<b>Flexible Cropping</b>	Resolution windowing down to 1x1 pixel for JPEG and 2x2 pixels for H.264
<b>Backlight Compensation</b>	Custom white balance
<b>Flicker Control</b>	5Hz–255Hz adjustable
<b>Image Rotation</b>	CorridorView™ (90°, 180° and 270° image rotation)
<b>Wide Dynamic Range</b>	Auto adjustment between WDR and LDR modes (WDR models only)
<b>Noise Reduction</b>	Low light noise filter control
<b>Microphone</b>	Integrated (-F models)
<b>Efficiency</b>	SNAPstream™ (Smart Noise Adaptation and Processing)
	Bit rate and bandwidth limitation control
	Bandwidth and storage savings by running at 1/4 resolution
<b>Sharpness</b>	Selectable enhancement level
<b>Miscellaneous</b>	Programmable resolution, brightness, saturation, gamma, tint
	Electronic pan, tilt, zoom (PTZ)

Audio Electrical

<b>Compression</b>	G.711 PCM 8 kHz
<b>Input</b>	Microphone in (integrated on -F models)

Data Transmission

<b>Compression Type</b>	H.264 (MPEG-4, Part 10)/Motion JPEG
	21 levels of quality
<b>Network Protocols</b>	RTSP, RTP/TCP, RTP/UDP, HTTP, TFTP, DHCP, IPv4, IPv6, QoS, 802.1x
<b>Network Interface</b>	100Base-T Ethernet
<b>Multi-Streaming</b>	8 non-identical streams

Compliance

<b>Industry Standard</b>	ONVIF Profile S conformant
<b>Listings</b>	UL (CB)
<b>FCC Compliance</b>	47 CFR 15 Class A
<b>Environmental</b>	RoHS, REACH, WEEE
<b>Markings</b>	(CE) EN55022 Class A, EN55024, EN61000-3-2, EN61000-3-3, EN60950-1
<b>Mechanical</b>	IP66 (EN60529) (-S model), IK-10
<b>CoO</b>	Made in the USA

Environmental

<b>Operating temperature</b>	-F Model	-5°C (23°F) to +50°C (122°F)
	-S Model	-40°C (-40°F) to +50°C (122°F)
<b>Humidity</b>	0% to 90% (non-condensing)	
<b>Storage temperature</b>	-20°C (-4°F) to +60°C (140°F)	

Electrical

<b>Alarm Input/Output</b>	General purpose opto-coupled, 1 input/1 output
<b>Power Over Ethernet</b>	PoE 802.3af, Class 3
<b>Power Consumption</b>	5.59 watts DC power

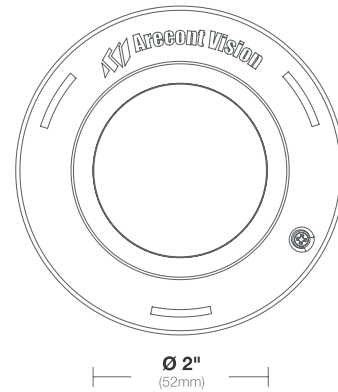
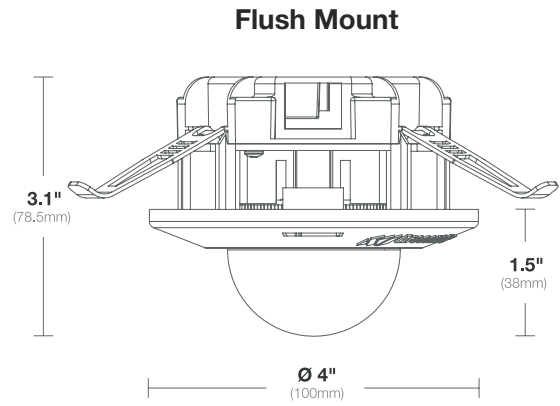
See Next Page for Mechanical Specs

† Maximum with H.264 compression

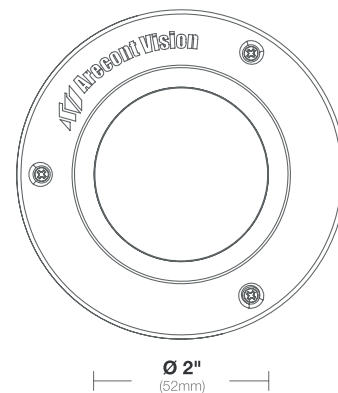
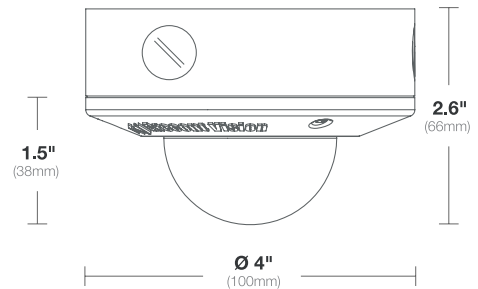
Mechanical

<b>Casing</b>	Tamper-resistant housing, IK-10 impact-resistant	
	<b>-F Model</b>	In-ceiling mount with die-cast aluminum cover and 2" polycarbonate dome bubble
	<b>-S Model</b>	Surface mount with die-cast aluminum housing and 2" polycarbonate dome bubble
		IP66 weather proof standard 3/8" NPT w/ 1/2" NPT adapter included
<b>Lens</b>	2.8mm board mount (M12), fixed iris, F/1.8 (except -NL models)	
<b>Gimbal</b>	Easy 2 axis camera adjustment w/ 359° pan and 90° tilt	
<b>Dimensions</b> <i>(See Dimensions)</i>	<b>Unit</b>	Ø 4" (100mm) x 3.1" H (78.5mm)
	<b>Packaged</b>	5.6" W (142mm) x 5.6" L (142mm) x 3.5" H (90mm)
<b>Weight</b>	<b>Unit</b>	0.7lbs (0.3kg)
	<b>Packaged</b>	1.3lbs (0.6kg)

Dimensions

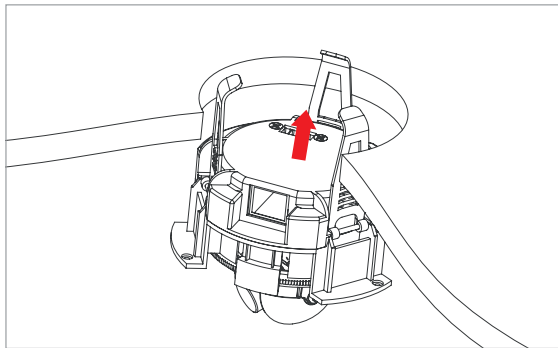


**Surface Mount**

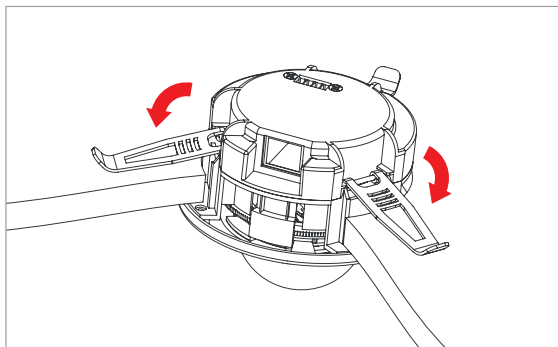


Quick Installation (Flush Mount Models)

- 1 Push the three spring actuated retention arms in the upward position.



- 2 The retention arms lock into place.



See Next Page for Ordering Information

# Ordering Information



### Model Specific Features

Model	Resolution	Frame Rate <sup>†</sup>	Features		
AV1455DN	1.3MP	42fps	-	-	-
AV2455DN	1080p	30fps	-	Casino Mode™	-
AV2456DN	1080p	30fps	WDR	-	-
AV3455DN	3MP	21fps	-	-	Binning
AV3456DN	3MP	21fps	WDR	-	Binning
AV5455DN	5MP	14fps	-	-	Binning

### Options

-F	Flush Mount
-S	Surface Mount
-NL	No Lens

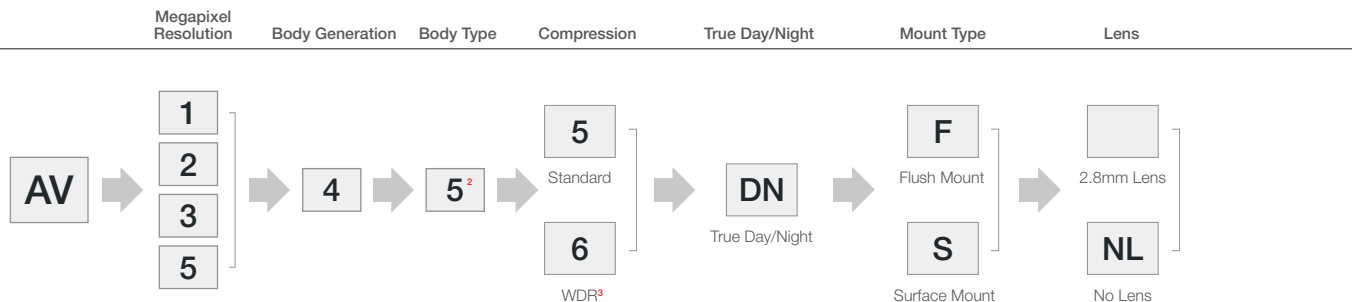
### Configurations



Flush Mount (-F)

Surface Mount (-S)

### Create Your Model (Example: AV2456DN-F-NL)



<sup>2</sup> "4" represents MicroDome product line

<sup>3</sup> WDR for AV2456 and AV3456 models only

<sup>†</sup> Maximum with H.264 compression

### Model Numbers

1.3MP	AV1455DN-F	AV1455DN-F-NL
	AV1455DN-S	AV1455DN-S-NL
1080p	AV2455DN-F	AV2455DN-F-NL
	AV2455DN-S	AV2455DN-S-NL
	AV2456DN-F	AV2456DN-F-NL
	AV2456DN-S	AV2456DN-S-NL
3MP	AV3455DN-F	AV3455DN-F-NL
	AV3455DN-S	AV3455DN-S-NL
	AV3456DN-F	AV3456DN-F-NL
	AV3456DN-S	AV3456DN-S-NL
5MP	AV5455DN-F	AV5455DN-F-NL
	AV5455DN-S	AV5455DN-S-NL

### Lens Options (Sold Separately)

Model	Focal Length	Horizontal Field of View					
		1.3MP	1080p	1080p WDR	3MP	3MP WDR	5MP
MPM2.1	2.1mm	102°	-	113°	121°	121°	-
MPM2.8A <sup>1</sup>	2.8mm	75°	114°	83°	89°	89°	113°
MPM4.0A	4mm	53°	81°	59°	63°	63°	80°
MPM6.0	6mm	36°	56°	40°	43°	43°	55°
MPM8.0	8mm	28°	42°	30°	33°	33°	40°
MPM12.0A	12mm	18°	28°	20°	22°	22°	28°
MPM16.0	16mm	13°	20°	15°	16°	16°	20°

<sup>1</sup> Standard lens for MicroDome except on "-NL" models

### Accessories (-S Models Only)

AV-CRMA	Corner Mount Adapter
AV-JBA	Standard Junction Box
AV-PMA	Pole Mount Adapter
MCD-CMT	Pendant Mount with 1/2" NPT Standard
MCD-CRMT	In-room Corner Mount Adapter
MCD-EBA	Round Electrical Box Adapter Plate for MicroDome® Series
MCD-JBAS	Mount Plate for MicroDome Series with AV-JBA
MCD-WMT	Wall Mount with 1/2" NPT Standard
MCD-4S	Electrical Box Surface Mount Cover Fits 3rd Party 4-inch Square Box 2-1/8 Inch Deep (e.g. Lowe's® Item # 4788)