

MegaPixel AT-11E-S

PoE Powered Infrared



PoE Powered - Simple Installation

Just connect CAT5e/CAT6 cable to PoE or PoE+ midspan.

Input Output (I/O) Ports & Day/Night Switch

Seamless and precise integration via I/O ports. Sync with camera or any other system device with I/O capability. Automatic ON/OFF via built-in photocell.

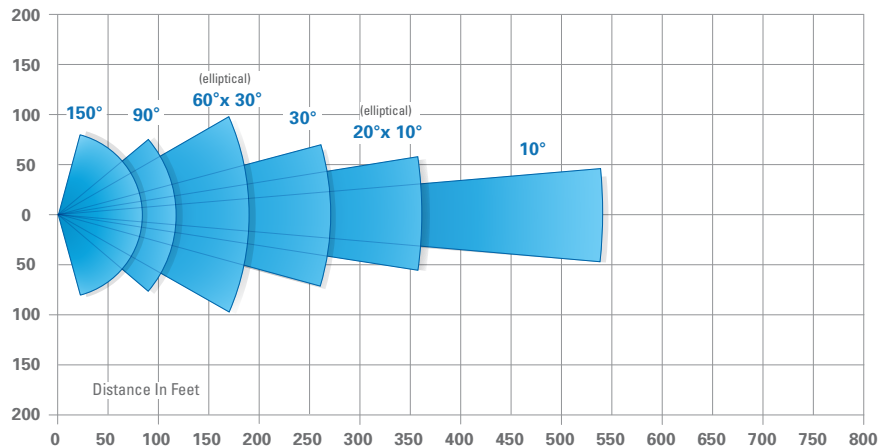
Lifetime Warranty - Made In The USA

Covered by a lifetime warranty with advanced replacement. All Axton lights are designed and manufactured in the USA.

Features

- 850nm Infrared Illuminator
- Outdoor IP67 Rated
- Up to 540ft of IR Illumination (10°)
- I/O Ports for Seamless Sync
- Automatic Day/Night Switch
- Designed & Manufactured in the USA
- Lifetime Warranty

Illumination Range



Angle: **150°**
Range: 80ft / 24m
HFOV: 155ft / 47m

Angle: **90°**
Range: 120ft / 36m
HFOV: 152ft / 46m

Angle: **60°x30°**
Range: 190ft / 58m
HFOV: 190ft / 58m

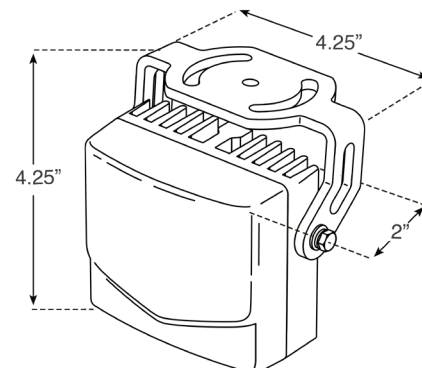
Angle: **30°**
Range: 270ft / 82m
HFOV: 140ft / 42m

Angle: **20°x10°**
Range: 360ft / 109m
HFOV: 112ft / 34m

Angle: **10°**
Range: 540ft / 164m
HFOV: 94ft / 28m

Specifications

Wavelength	850nm Infrared
Input Voltage PoE	PoE (802.3af) or PoE+
Power Consumption	11 Watts
Angle/Coverage Options	150°, 90°, 60°x30°, 30°, 20°x10° or 10°
Operating Temperature	-58° to 140°F / -50° to 60°C
Dimensions	4.25" x 2" x 4.25" / 108 x 51 x 108mm
Weight	1.25 lbs/ .56kg
Environmental	IP67 Outdoor Rated
Mounting	Pan/Tilt U Bracket Included



801 West Robinson Drive, Suite 500, North Salt Lake, UT 84054
 ☎ 801/519-0500 📠 801/519-0501 ✉ sales@axtontech.com 🌐 axtontech.com

