

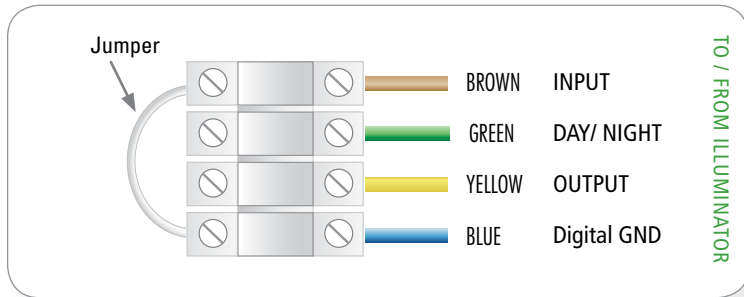
Quick Setup Guide PoE

AT-11XX | AT-25*XX | AT-56XX | Panoramic PoE

WIRING

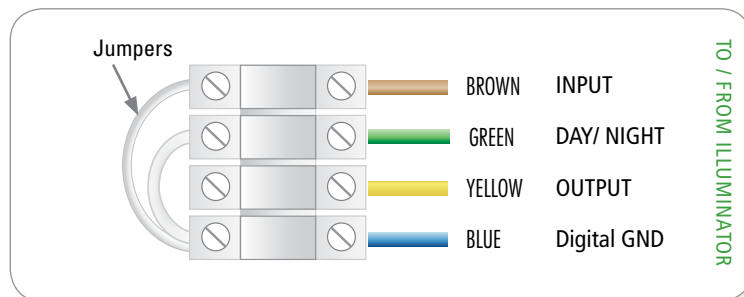
OPTION 1 Constant ON

AXTON Illuminators have been designed and tested to run 24/7 continuously both indoors and outdoors.



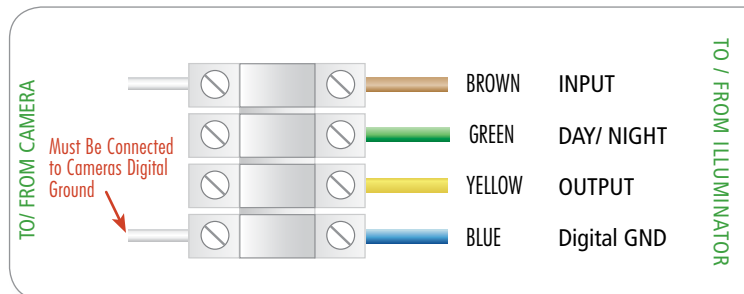
OPTION 2 Automatic

Illuminator will trigger ON/OFF using the built in ambient light sensor which has been pre-set to a threshold of 5-15 lux. ON will trigger immediately while OFF will trigger after a 12-18 second delay.

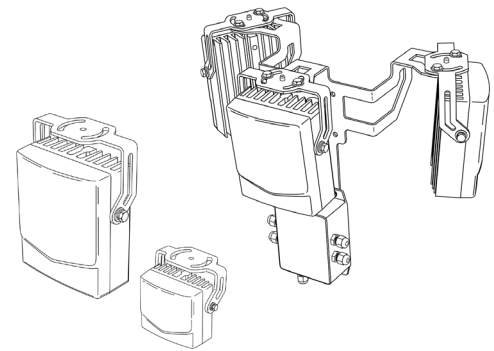


OPTION 3 External Controller (e.g. Camera)

You will need to log into the camera via computer and program the I/O ports to trigger when IR illumination is desired.



To switch illuminator ON, your camera Output port(s) have to be ACTIVE and set to LOW (GND-ground).
You may associate this action with various events (IR cut filter, motion detection, etc.) available on your camera or external device.



! Make all electrical connections BEFORE applying power.

POWER

Apply only the power specified below to the unit over the attached Ethernet cable.

P/N - WATTS	PoE TYPE
AT-11... (11W)	PoE (802.3af) or PoE+
AT-25... (25W)	PoE+ (802.3at) or PoE++
AT-56... (56W)	PoE++ (802.3bt)
Panoramic PoE	PoE++ (802.3bt)



Applying voltage other than the required range may cause permanent damage and VOID WARRANTY

WARNING! Infrared light is not visible. Do not view directly with optical instruments (magnifiers) or stare directly into the illuminator at close distance.

Do not attempt to open or modify the light as this will void the warranty. If you need a modification, electric or physical, contact us directly. We will let you know if it can be done. All changes MUST be made at our factory.

*Excludes Hybrid PoE Illuminator - Which has a separate setup guide.

? QUESTIONS ? (801) 519-0500 or support@axtontech.com | axtontech.com