

The 7000 Series is also available in a **Complete One Box Solution**

# HES<sup>®</sup> 7000 Electric Strike

*Works with cylindrical latchbolts up to 5/8" throw and rim exit devices up to a 3/4" throw*



## The dual, preload solution for cylindrical latch bolts and rim exit devices.

The 7000 Series offers two solutions to address preloaded doors. The in-frame adjustable feature allows the installer to easily adjust the electric strike opening to accommodate the horizontal position of the latchbolt after installation.

The preload release function allows the electric strike to operate smoothly throughout the year under varying loads on the door caused by airconditioning pressure, changes in the weather, warped doors or doors with weather stripping that often bind standard electric strikes. This unit accommodates cylindrical latchbolts up to 5/8" throw and rim exit latchbolts up to 3/4" throw.

## Features

### Standard Features

- Stainless steel construction
- Tamper-resistant
- Static strength 1,500 lbs (791 and 792 options)
- Dynamic strength 70 ft-lbs (791 and 792 options)
- Static strength 1,000 lbs (783S, 786S, and 789S options)
- Dynamic strength 50 ft-lbs (783S, 786S, and 789S options)
- Endurance 1 million cycles
- Field selectable fail secure/fail safe
- Accommodates preload (up to 15lbs: fail secure only)
- Horizontal adjustment
- Non-handed
- Internally mounted solenoid
- Strike body depth 1-11/16"
- Plug-in connector
- Trim enhancer (791 and 792 options)
- Pocket adapter (786S and 789S options)
- SecuriCare five-year, no fault, no questions asked warranty

### Optional Features

- **LBM** Latchbolt monitor

### Accessories

- **SMB** Surface mounting box (783S and 789S options)
- **7000-104** Lip extension trim adapter
- **7000-105** Trim enhancer (goof plate)
- **7000-106** Keeper pocket adapter
- **7000-107** Full keeper shim pack
- **7000-108** 1/8" spacer plate (783S and 789S options, black finish only)
- **7000-110** Replacement strike plate (791 and 792 option)
- **150** Strike latch guard
- **HESCUT-MTK** Metal template kit
- **2001M** Plug-in bridge rectifier
- **2004M** ElectroLynx<sup>®</sup> adapter
- **2005M3** SMART Pac<sup>®</sup> III
- **2006M** Plug-in buzzer



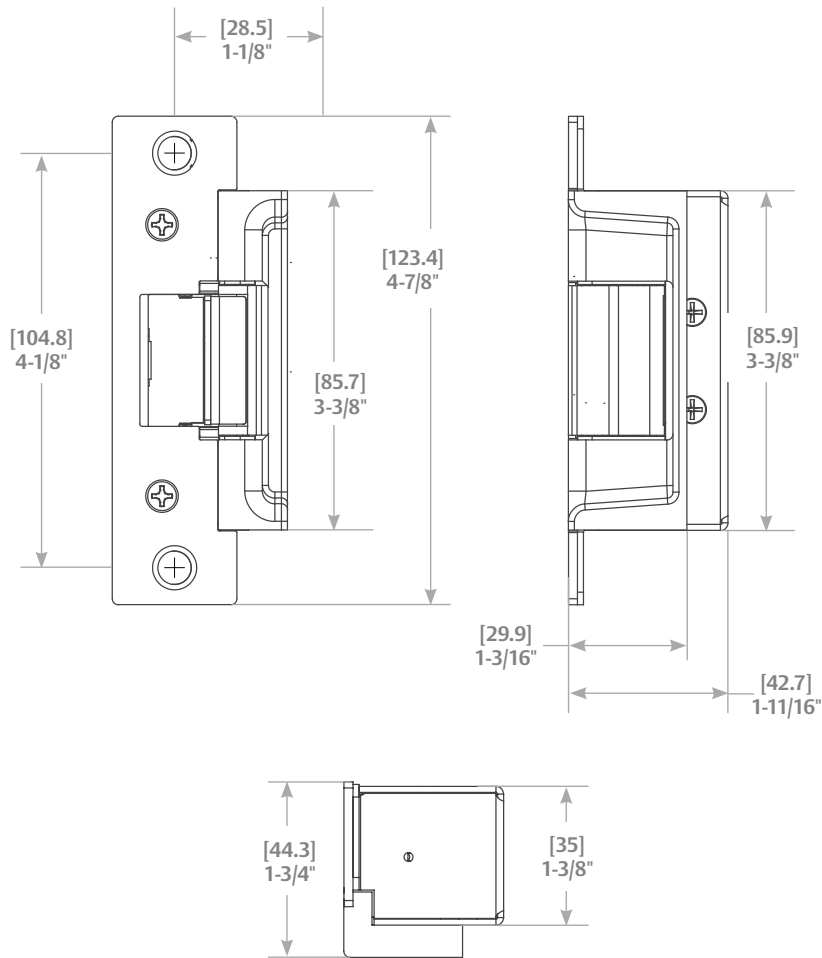
Grade 1

SecuriCare  
WarrantyCylindrical  
LocksetsRim Exit  
DevicesField Selectable  
(Fail secure  
/Fail safe)Dual Voltage  
12/24

Preload

Burglary  
Rated

## Dimensions



## Specifications

### Certifications

- ANSI/BHMA A156.31, Grade 1 (791 & 792 options)
- ANSI/BHMA A156.31, Grade 2 (783S, 786S & 789S options)
- UL 1034 burglary-resistant listed
- UL 294 (6th Edition) listed

### Frame Application

- Metal
- Wood

### Electrical (DC Continuous Duty)

- Dual voltage 12/24 VDC
- 450 mA at 12 VDC/250 mA at 24 VDC

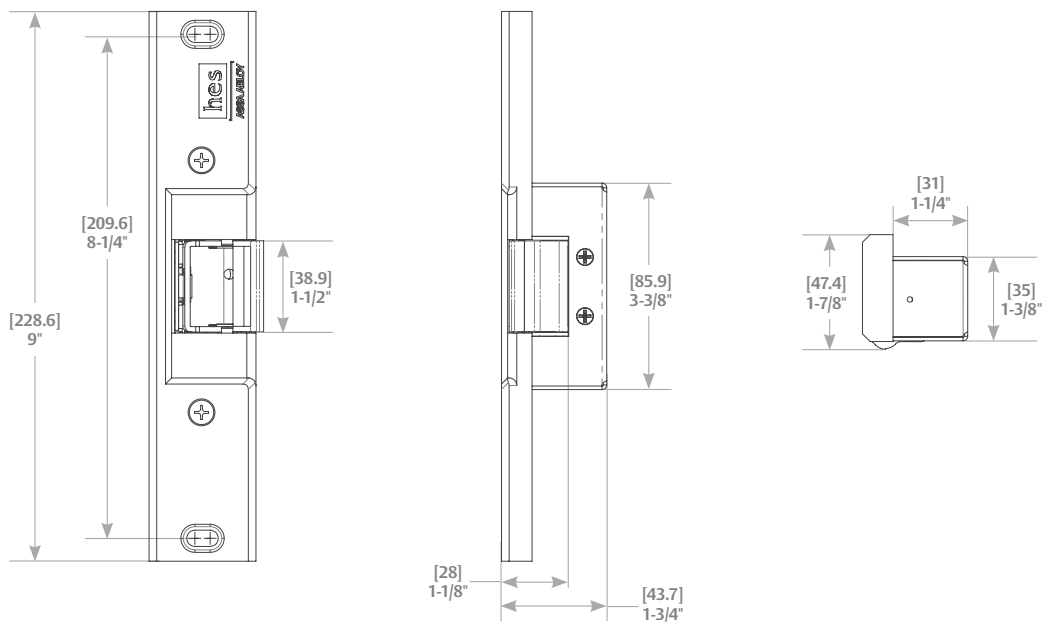
## How to Order

Series	Model	Finish*		Option (s)
<b>7000</b>	—	— <b>630</b>		— <b>LBM</b>
<b>7000</b> Universal Electric Strike; Faceplates ordered separately	<b>C*</b> Complete Electric Strike; Includes the 791 and 792 faceplates	<b>791 and 792 Options</b>	<b>783S, 786S, 789S Options</b>	<b>LBM</b> Latchbolt Monitor
		<b>605</b> Bright Brass	<b>613E</b> Dark Oxidized Satin Bronze	
		<b>606</b> Satin Brass	<b>630</b> Satin Stainless Steel	
		<b>612</b> Satin Bronze		
		<b>613E</b> Dark Oxidized Satin Bronze		
		<b>629</b> Bright Stainless Steel		
		<b>630</b> Satin Stainless Steel		
		<b>BLK</b> Black		

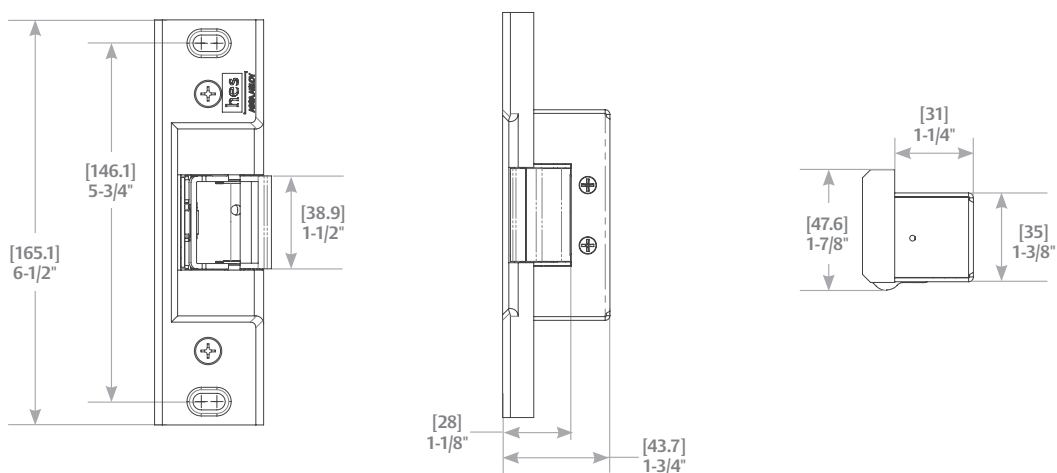
\*Complete Pacs are only available in the 630 finish

# HES 7000 Series Rim Exit Device Options

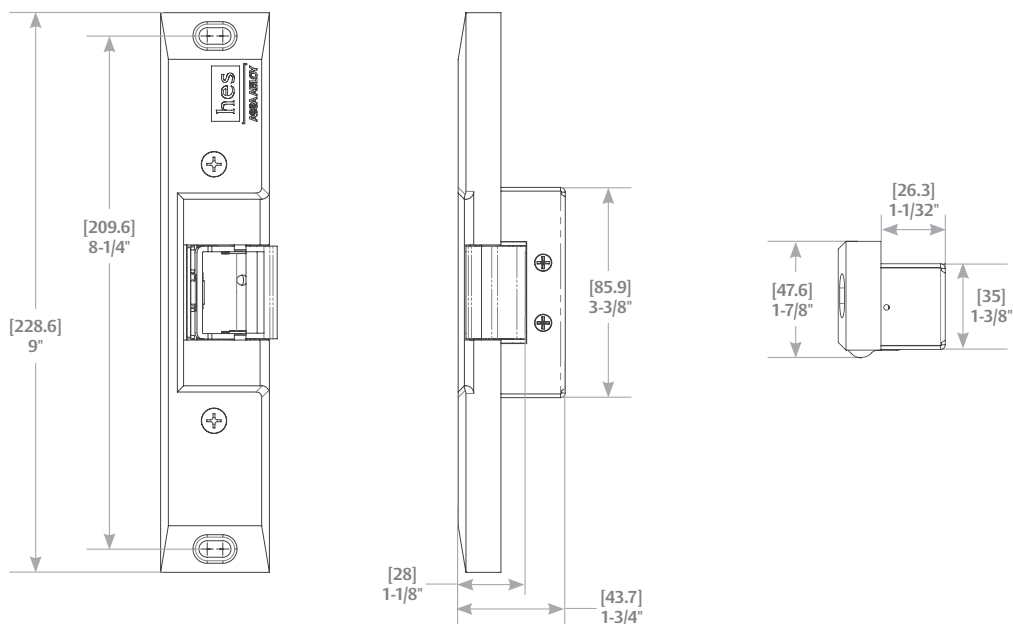
783S Option



786S Option



789S Option



# HES 7000 Series Faceplate Options



**Operation:** After releasing the latchbolt, the keeper returns to the locked position



4-7/8" × 1-1/4"

## 791 Option

**For use with:** Cylindrical locksets up to 5/8" throw

» ANSI/BHMA Numbers: E09321, E09322, E09323



1

Grade 1



7-15/16" × 1-7/16"

## 792 Option

**For use with:** Cylindrical locksets up to 5/8" throw

» ANSI/BHMA Numbers: E09321, E09322, E09323

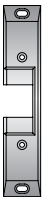


1

Grade 1



**Operation:** After releasing pullman latch, the keeper returns to the locked position



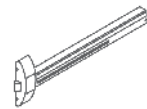
9" × 1-3/4" × 11/16"

## 783S Option

**For use with:** Rim exit devices in metal jambs with up to a 3/4" pullman latch

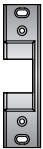
**Compatible locksets:** American Device, Arrow, Dor-O-Matic, Monarch, Precision, Sargent, Von Duprin, Yale

» ANSI/BHMA Numbers: E09311, E09312, E09313



2

Grade 2



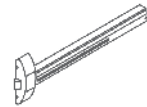
6-1/2" × 1-3/4" × 1/2"

## 786S Option

**For use with:** Rim exit devices in aluminum jambs and surface mounted vertical rod exit devices with up to a 3/4" pullman latch. Includes keeper pocket adapter.

**Compatible locksets:** American Device, Arrow, Dor-O-Matic, Jackson, Monarch, Precision, Sargent, Von Duprin, Yale

» ANSI/BHMA Numbers: E09311, E09312, E09313



2

Grade 2



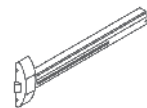
9" × 1-3/4" × 1/2"

## 789S Option

**For use with:** Rim exit devices in aluminum jambs with up to a 3/4" pullman latch. Includes keeper pocket adapter.

**Compatible locksets:** American Device, Arrow, Dor-O-Matic, Jackson, Monarch, Precision, Sargent, Von Duprin, Yale

» ANSI/BHMA Numbers: E09311, E09312, E09313



2

Grade 2

"For use with" information is offered as a recommendation only. Reference should be made to the lockset manufacturer for proper installation instructions necessary to meet compatibility requirements.