

# 7170 Electric Strike



HOLLOW  
METAL



WOOD



UL 1034  
BURGLARY  
LISTED



ELECTRIFIED  
PRODUCT



GRADE 1  
E09321

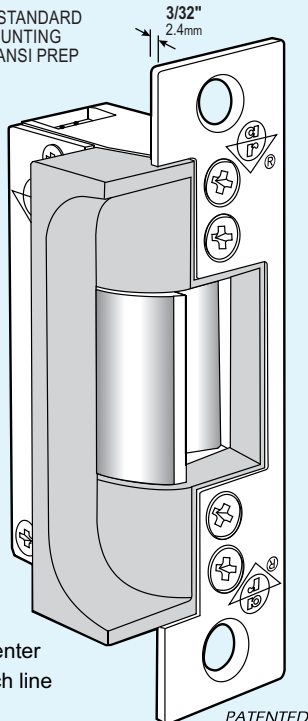
7170 Electric Strikes with 4-7/8" faceplates are designed for mortise or cylindrical type locksets with up to 3/4" latchbolt projection without deadbolt. For use in hollow metal or wood door jambs.

## Function

Remote electrical control of any door equipped with a mortise or cylindrical type lockset with up to 3/4" latchbolt projection without deadbolt. Electrical actuation unlocks strike jaw, releasing latchbolt so door can be opened without operating latch itself. Extremely compact mechanism fits into hollow metal jamb sections as shallow as 1-7/8". Fits existing prep for discontinued Adams Rite 7560AN, 7570, 7860AN, 7870 Electric Strikes.

The electric strike must be positioned to accommodate offset mortise latches during installation. Please refer to installation instructions.

FITS STANDARD  
MOUNTING  
TAB ANSI PREP



All 3/4" throw latches require 1/8" minimum door gap. Horizontal center line of strike must match line of mortise latchbolt.

PATENTED

## Specifications

### FAIL-SAFE/FAIL-SECURE

- Field convertible from one mode to the other. However, AC intermittent solenoid must not be used continuously in either.

### CASE

- Approximately 1" x 3-3/8" x 1-7/8" deep.

### STRIKE LIP

- Basic 7170 strike has lip of proper length for 1-3/4" thick door that closes flush with jamb edge. Where door thickness or jamb shape differs from this standard relationship, lip extension kits are available, specified by last dash number.

### STRIKE OPENING

- 5/8" x 1-7/16" x 5/8" deep. Bolt retainer jaw is stainless steel.

### FACEPLATE

- Measures 1-1/4 x 4-7/8". Faceplate is flat, with square corners. Available in a wide range of architectural finishes.

### VOLTAGE

- Available in 12 or 24 volt AC and DC. DC continuous units are silent, AC intermittent units "buzz" on operation

### CURRENT DRAW/AMPS

VOLTS	AC INTERMITTENT	DC CONTINUOUS
12	1.42	0.33
24	0.74	0.17

### STANDARD PACKAGE

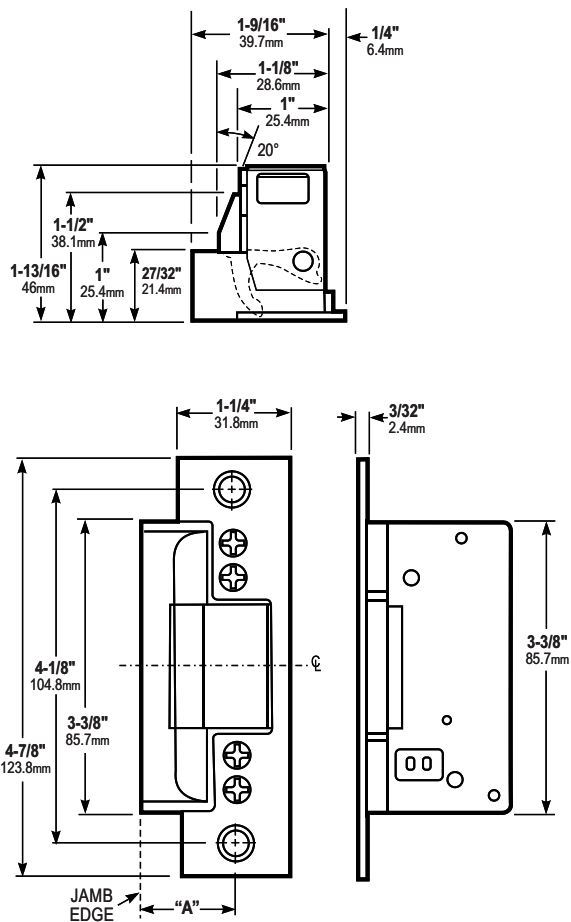
- Individually boxed with mounting screws. Includes mounting clips and adhesive shims for use where welded tabs are omitted.

### OPTIONS

- Available with two monitoring signal switches which sense whether latchbolt is in strike and whether strike jaw is blocked. Choice of voltage in AC and DC for intermittent or continuous duty. Specify assembled for either fail-secure (locked when unpowered) or fail-safe (locked when powered) operation, but can be field converted to the other mode.

All measurements are approximate and are provided for informational purposes only. Refer to the product Installation Instructions.

### Dimensions

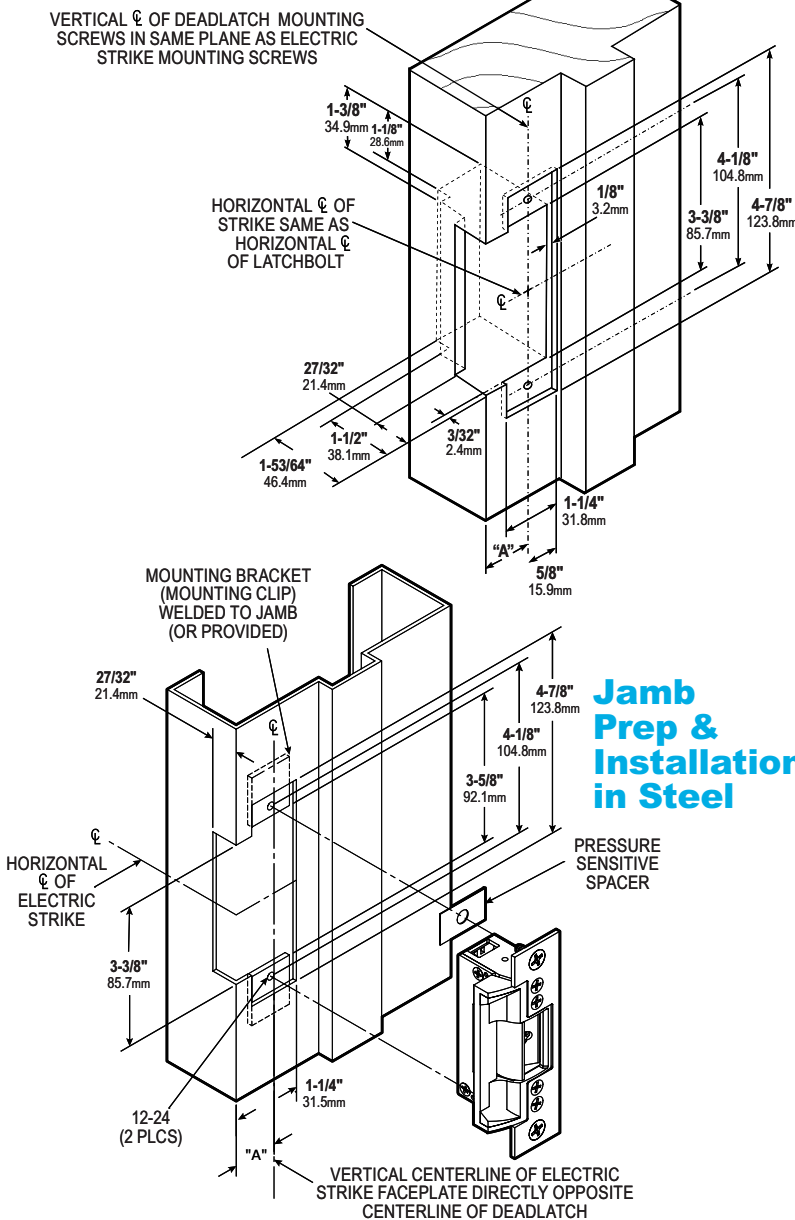


STANDARD UNIT FITS DIM. "A" UP TO 1-1/16"

(SEE HOW TO ORDER)

MOUNTING BRACKETS FURNISHED

### Jamb Prep in Wood



### Jamb Prep & Installation in Steel

### HOW TO ORDER 7170 ELECTRIC STRIKE

Specify quantity and the following information. Order related products separately.

PRODUCT NO.	VOLTAGE	CURRENT AND DUTY	FEATURES*	FINISH	LIP EXTENSIONS (DIM. A) Door Centerline to Jamb Edge
<b>7170</b>	<b>-3</b>	<b>1</b>	<b>0</b>	<b>-628</b>	<b>-00</b>
	3 12 Volt	1 DC Continuous or Intermittent	0 Standard/Fail-Secure	313 Dark Bronze Anodized	00 1-1/16" or less
	4 16 Volt	4 AC Intermittent	5 Fail-Safe	335 Black Anodized	50 1-3/8"
	5 24 Volt		7 Monitor/Fail-Safe	626 Satin Chrome	01 1-1/2"
			9 Monitor/Fail-Secure	628 Clear Anodized	02 1-5/8"
					03 1-3/4"
					07 2-1/4"
					09 2-1/2"
					12 2-7/8"

\*Fail-secure can be field converted to fail-safe or vice-versa

### RELATED PRODUCTS

When purchasing this product, please consider the following related products, available separately:

#### Options

Lip extensions.

#### Power

4603 Rectifier, 4605/4606 Transformer, Piezo Horn audible indicator, PS-1.

#### Deadlatches

4500 and 4900 Series Deadlatches. Note that 4700 Deadlatch is discontinued and replaced by 4900 Deadlatch.