

Dual Force® 2190 Interconnected Deadbolt/Deadlatch



The Dual Force 2190 Interconnected Deadbolt/Deadlatch provides access control and security for aluminum stile doors. Latch and deadbolt capabilities are combined for fast, easy, and panic-proof exiting.

Function

The Dual Force 2190 combines the access control capabilities of a latch with the security of a deadbolt. The key retracts and extends the deadbolt (and deadlatch) from either side. The exterior lever retracts the latch only, while the inside lever retracts the deadbolt and latch simultaneously for fast, easy, panic-proof exiting. Intended for out-swinging doors.

Operation

Key or thumbturn retracts or extends deadbolt or deadlatch. Inside lever retracts both when configured with interconnect feature. Outside lever retracts latch only. Latch holdback feature activated or deactivated by turning key to retract latch and sliding holdback button on faceplate down to hold and up to release.

Specifications

INTER-CONNECTION

- Field-selectable inter-connection feature allows interior trim to retract deadbolt and deadlatch. Consult local building officials for guidance in code compliance. Retrofits to existing MS1850S Deadbolt or 4500 and 4900 Deadlatch of the same backset. 1-3/4" minimum door thickness required.

CYLINDER BASKET

- 1-1/8" or 1-1/2" only.

LATCHBOLT/DEADBOLT

- Latchbolt: 5/8" throw of solid brass. Easily reversible using only a screwdriver. Deadbolt: 1" throw of stainless steel.

AUXILIARY DEADLATCH PIN

- Stainless steel. Deadlocks latchbolt to prevent "loiding" or case-knife entry.

FACEPLATES

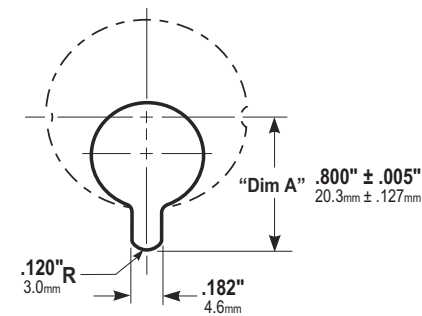
- Measures 1" x 6-7/8". Include FaceStyle faceplate system that adapts to flat, radius, or beveled door edge. Radius with weatherseal faceplate available separately.

STRIKES

- Standard strike furnished is the 2101-01 for flat jamb where door closes flush or nearly flush. The 2101 covers MS® Deadlock strike preparation with modification, and the 4901 Deadlatch strike directly. Also available in radius version for opposite stile pairs of doors and with extended lip strikes for special jamb conditions.

CYLINDER CAM

- The Dual Force 2190 is operable by any standard 1-5/32" diameter mortise cylinder with MS® cam dimensioned as shown. Cylinders with MS® cams can be readily obtained from most cylinder manufacturers. See CYLINDERS section for cylinder make, thumbturn and trim ring information.



OPTIONS

- Specify trim option, lever style, finish, and strike. Also adapts to paddle operator 4591. See 2290 for wood or steel door version for stile and rail type door construction. Note that the low profile trim (trim option 3) is recommended for in-swing door applications. Please refer to 3080 (TRIM) for full offering of designer handle sets.

ELECTRIFIED TRIM OPTIONS

- Order 2190 Electrification Kit EK-2190 for adding to the clutched exterior lever. Dual voltage 12/24 VDC rated for continuous duty operation. Energizing the lever allows exterior lever to be turned to retract latch only. The electrified option is not available for low profile trim (trim option 3).

STANDARD PACKAGE

- Individually boxed with trim as specified, strike and machine screws for mounting. Cylinders available separately. Shipping weight: 2 lbs.

HOW TO ORDER DUAL FORCE® 2190 INTERCONNECTED DEADBOLT/DEADLATCH

Specify quantity and the following information. Order related products separately.

PRODUCT NO.	BACKSET	STRIKE	FACEPLATE FINISH	TRIM	HANDLE DESIGNATION	TRIM AND HANDLE FINISH
2190	-3	1	1	-1	01	32D
	3 1-1/8"	0 None	1 Clear Anodized 628	0 None	00 No Handle	03 Bright Brass (US3)
	4 1-1/2"	1 Standard Flat	2 Dark Bronze Anodized 313	1 With Trim Set	STANDARD SERIES:	04 Satin Brass (US4)
		2 Radius Strike	3 Black Anodized 335	2 With Electrified Trim Set	01 Curve	10B Dark Bronze (US10B)
		3 Flat/Center Hung 4"		3 Low Profile Trim	02 Round	32 Bright Stainless (US32)
		4 Flat/Center Hung 4-1/2"			03 Square	32D Satin Stainless (US32D)
					DESIGNER SERIES:	
					MD MJ	
					ME MN (Handed)	
					MG MV (Handed)	
					MI MW	

Trim options 1 and 2 are for outswinging doors only.

RELATED PRODUCTS When purchasing this product, please consider the following related products, available separately:

Electrification

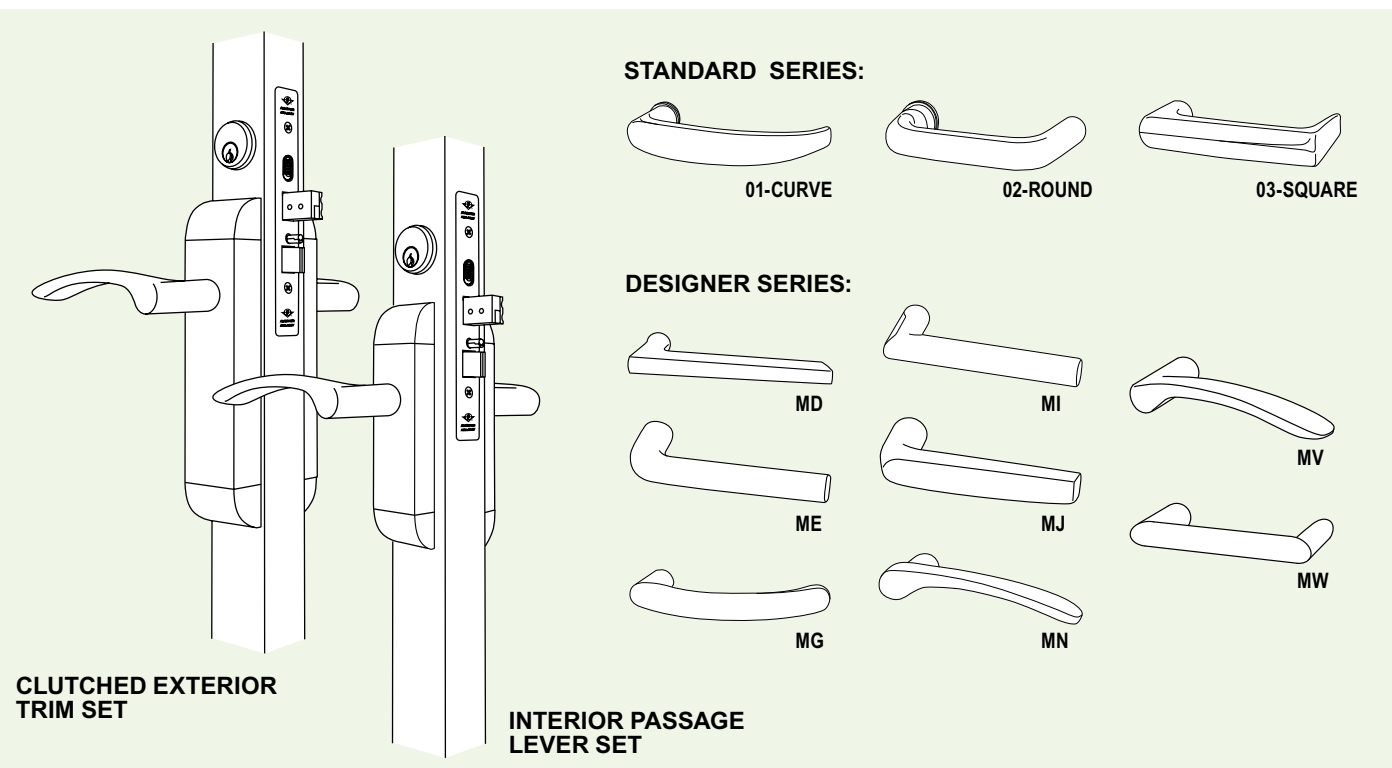
2190 Interconnected Deadbolt/Deadlatch can be electrified in the field using the 2190 Electrification Kit (EK-2190) or it can be ordered with electrified trim (trim option 2).

Accessories

Extended lip strikes.
2190 thick door kits.

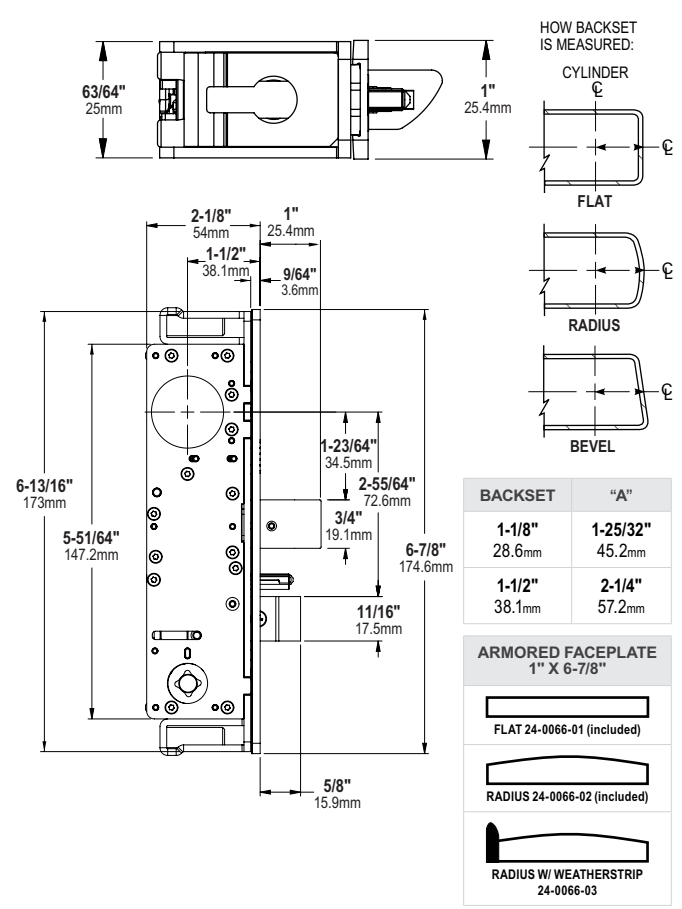
Cylinders

2190 Interconnected Deadbolt/Deadlatch is operable by any standard 1-5/32" diameter mortise cylinder with MS® cam.

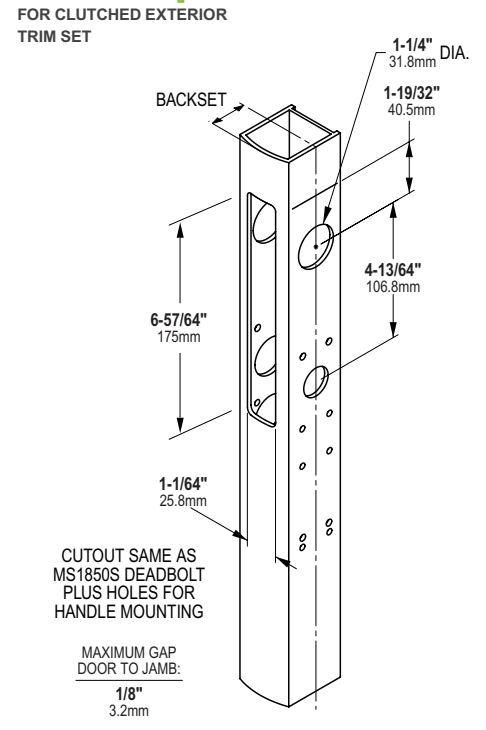


All measurements are approximate and are provided for informational purposes only. Refer to the product Installation Instructions.

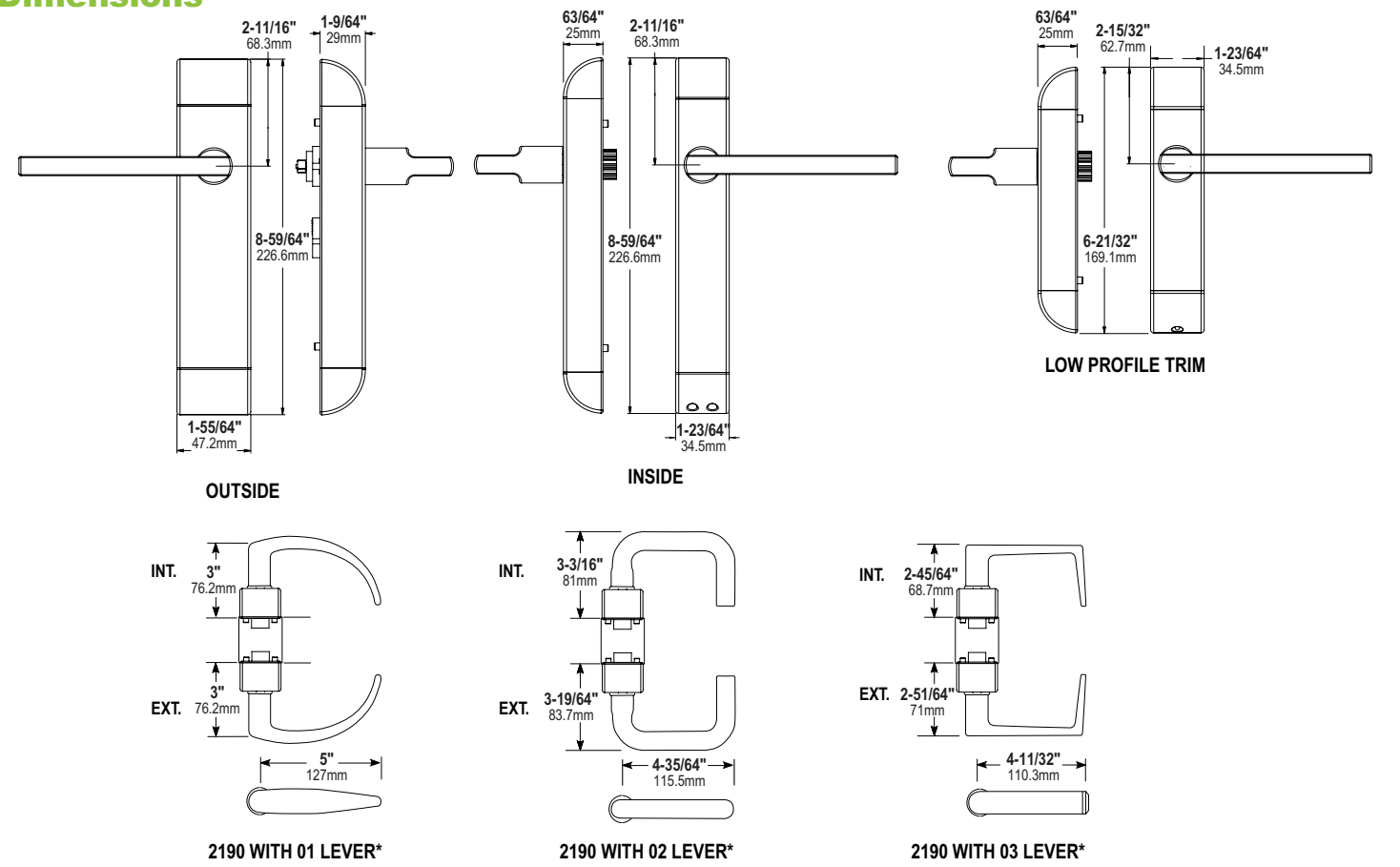
Dimensions



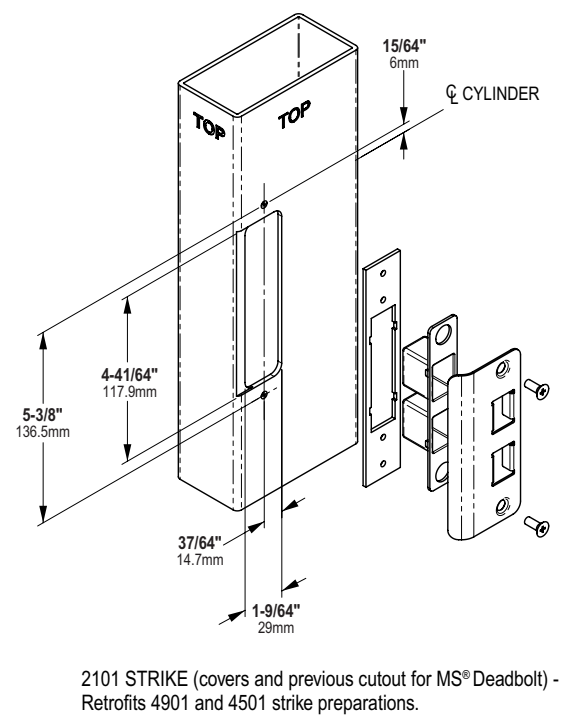
Stile Preparation



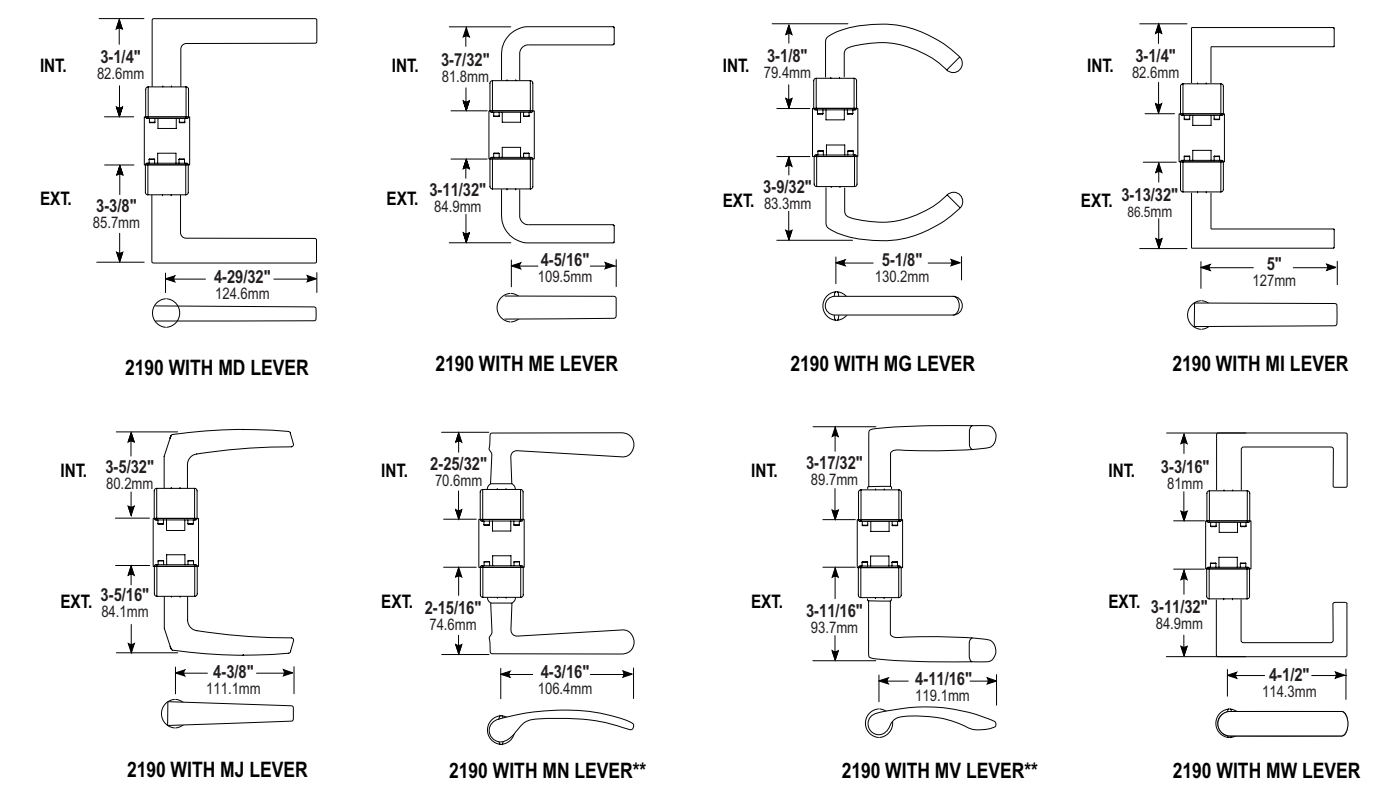
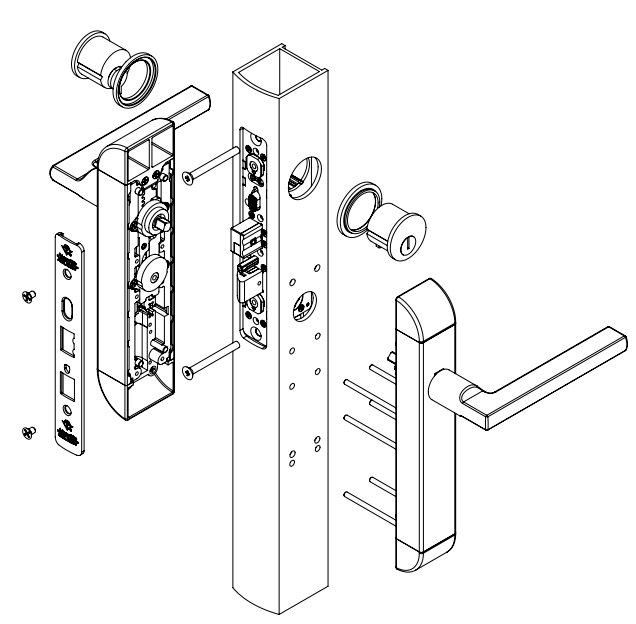
Dimensions



Jamb Preparation



Latch/Lock, Cylinder & Level Installation



* THE 2190-01, -02, AND -03 LEVER HANDLES ARE DESIGNED TO RETURN WITHIN 1/2" OF THE DOOR FACE. HANDLES IN THE DESIGNER SERIES DO NOT HAVE THIS SAME FEATURE. PLEASE VERIFY WITH LOCAL CODE REQUIREMENTS TO ENSURE COMPLIANCE.

** HANDED