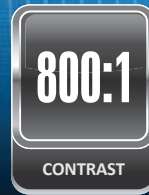


BASIC LCD CCTV SERIES**19RTL****BUILT TO RUN 24 X 7 X 365 CONTINUOUSLY****OVERVIEW**

Built with a CCTV Circuit Board, intuitive features, ultra thin design and impressive technology making the RTL the perfect fit for your security application that values performance and quality. These are not built like your traditional consumer monitors - designed to be turned off every 8 - 10 hours. All of the ORION monitors are built to run 24 x 7 x 365 continuously - designed built to last 50,000 hours.

FEATURES

- 1280 x 1024 Native Display Resolution
- VGA (15 Pin D-Sub) 1 In, DVI-D In, PC Audio In Input Interface
- 5ms, 250 Nits, 800:1 Contrast
- 5:4 Aspect Ratio
- 250cd/m² Brightness, 800:1 Contrast Ratio
- Mount Options: Wall, Ceiling or Rack

**Built to run 24 x 7 x 365
Continuously**

SPECIFICATIONS

19RTL	
Display	
Screen Size	19 Inch
Max. Resolution	1280 x 1024 @ 60Hz
Pixel Pitch	0.294 x 0.294mm
Brightness	250cd/m ²
Contrast Ratio	800 : 1
Aspect Ratio	5 : 4
Viewing Angle (H/V)	170° / 160°
Display Color	16.2 Million
Response Time	< 5ms
Video System	NTSC / PAL
Interface	
VGA In (15Pin D-Sub)	1 In
DVI-D In	1 In
Transmitter	
Remote Control	N/A
Audio	
Built-in Speakers	Yes
Features	
Anti-Glare Hard Coating	Yes
Multi Language	English, Spanish, French, German
General	
Outline Dimension (W x H x D)	16.59" x 13.88" x 2.38"
Net Weight	6.0Kg (13.2lbs)
Material / Color	ABS Plastic / Black
Desk Top Stand	Tilt Back
Part / Labor	2year / 2year
Consumption: < On	< 35W
	AC100 ~ 240V(50/60Hz)
Electrical Ratings	DC12V / 3.5A
Operating Temperature	0 ~ 40°C / 32 ~ 104°F
Storage Temperature	-20 ~ 60°C / -4 ~ 140°F
Mounts	
VESA™ Mount Size	75 x 75mm
Wall	WB-5, WB-10, WB-30, WB-31
Ceiling	CMK-01
Rack	RMK-08

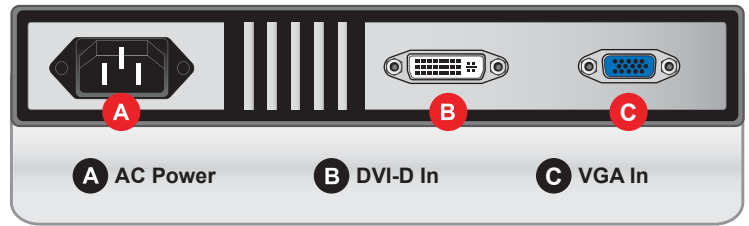
*Design and specifications are subject to change without notice

TILT CAPABILITY

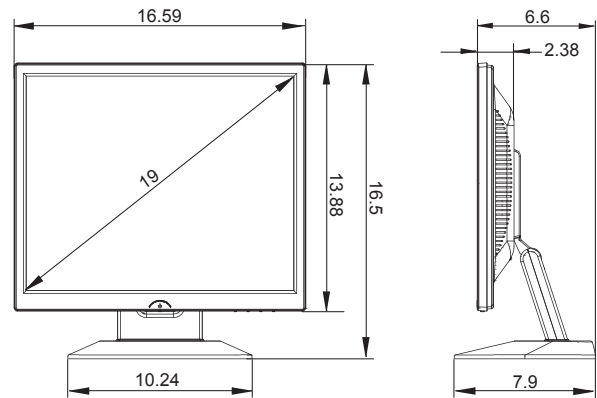
RTL series has flexible tiltable desktop stand capability



INPUT INTERFACE



DIMENSIONS



OTHER VIEW



Rear View



Side View

OPTIONAL MOUNTS

