

# NUVICO®

## HDoCS™ Indoor Dome Camera CT-2M-D3



### Key Features

- 1/3" CMOS Sensor
- 1080p, HD-TVI
- 3.6mm, Fixed Lens
- Day/Night(ICR)
- 30 IR LEDs
- IR Illumination - up to 50ft.
- DC12V

### Construction

- Indoor / Plastic Housing

### Applicable Products

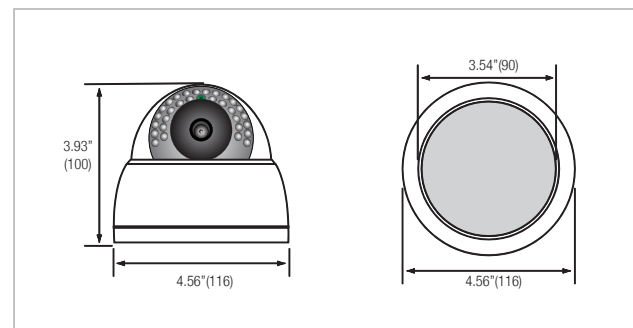
- DT-E400 / 4-ch HD-TVI DVR
- DT-E800 / 8-ch HD-TVI DVR
- DT-P1600 / 16-ch HD-TVI DVR
- DT-P1600 / D

### Technical Specification

HDoCS™ Indoor Dome Camera	CT-2M-D3
<b>Resolution</b>	1080p over Coax
<b>Image Sensor</b>	1/3" CMOS
<b>Day/Night Functionality</b>	Yes w/ICR
<b>Lens Type</b>	3.6mm Fixed Lens
<b>Angle of View</b>	80° (W)
<b>IR LEDs</b>	30
<b>IR LEDs Distance</b>	Up to 50ft.
<b>Electronic Shutter</b>	1/60 ~ 1/100000 Sec
<b>Minimum Illumination</b>	1.0 Lux (Color), 0.1 Lux (IR LEDs On)
<b>General Information</b>	<b>CT-2M-D3</b>
<b>Operating Temperature</b>	14° F ~ 140° F
<b>Operating Humidity</b>	Within 90% RH
<b>Power Consumption</b>	12W / 1 Amp (LEDs On), 4W / 500mA (Camera Only)
<b>Input Voltage</b>	12VDC

\*Specifications are subject to change without any prior notice.

### Dimensions (inch:mm)



# CT-2M-D3