



VBV-4 Video Data Distributor Unit Installation and Use Instructions Used with the S.T.R.™ Series NoCoax Video-Intercoms for systems with multiple video risers/lines

APPLICATION

The VBV-4 video distributor unit is designed to be used with the S.T.R.™ NoCoax video-intercom system(s) to provide multiple video risers (lines) from a single camera video source. Each VBV-4 provides up to four (4) amplified video data outputs and a 5th output that may be used to daisy-chain to an additional VBV-4 unit (if required). Each VBV-4 is powered by a separate model NG20 15VDC power supply.

PROCEDURE

1. Read installation instructions to determine equipment location and installation method.
2. Install equipment and wiring.
3. Check wiring and connect. Observe all local and national electrical and building codes.
4. Apply power and check operation.

HOUSING INSTALLATION AND EQUIPMENT LOCATION

VBV-4 VIDEODISTRIBUTOR

The VBV-4 is usually located in the 'central equipment location' where the VCU309 system amplifier/power supply is located. You can mount the VBV-4 by using the provided plastic 'Din Rail' mounting bracket. It must be located away from any source of direct heat or extreme cold and in an accessible location. Keep at least 3 feet (1 meter) away from transformers, light dimmers or other electrical devices or wiring or sources of electrical interference.

POWERSUPPLY

The model NG20 (or equivalent) 15VDC power supply plugs into a conventional 117 VAC electrical outlet, using a separate cord and plug, within 100' (30 meters) of the VBV-4, but no closer than 3 feet (1 meter) from the VBV-4 unit.

NOTE: POLARITY MUST BE OBSERVED. Terminal 'B' is positive (+) and terminal 'O' is negative (-), at all VBV-4 connections! Each additional VBV-4 should be powered by a separate NG20 (or equivalent) power supply.

WIRING

Run 2 conductor #18AWG from the 15VDC power source to each VBV-4 video distributor. If distance is greater than 100 feet (30 meters), use #16AWG cable. Use a separate cable from the video-intercom cables, and route away from any other cables. Before connecting, make certain wires are free from shorts or grounds. Make connections as shown on following page and as detailed in the following instructions.

FINISH INSTALLATION

1. Install VBV-4. Do not overtighten screws.
2. Install amplifier and accessory devices as needed.
3. Plug NG20 power supply into outlet. Observe all local and national electrical and building codes.
4. Make sure all coaxial connections are connected properly and no braid wires are touching or shorting to the center conductors of the coaxial cables between the camera(s) and the KBS-1 adaptor(s).

NOTE: The Alpha Communications® warranty is void if this system is installed or used in any manner other than described in this manual.

TROUBLESHOOTING

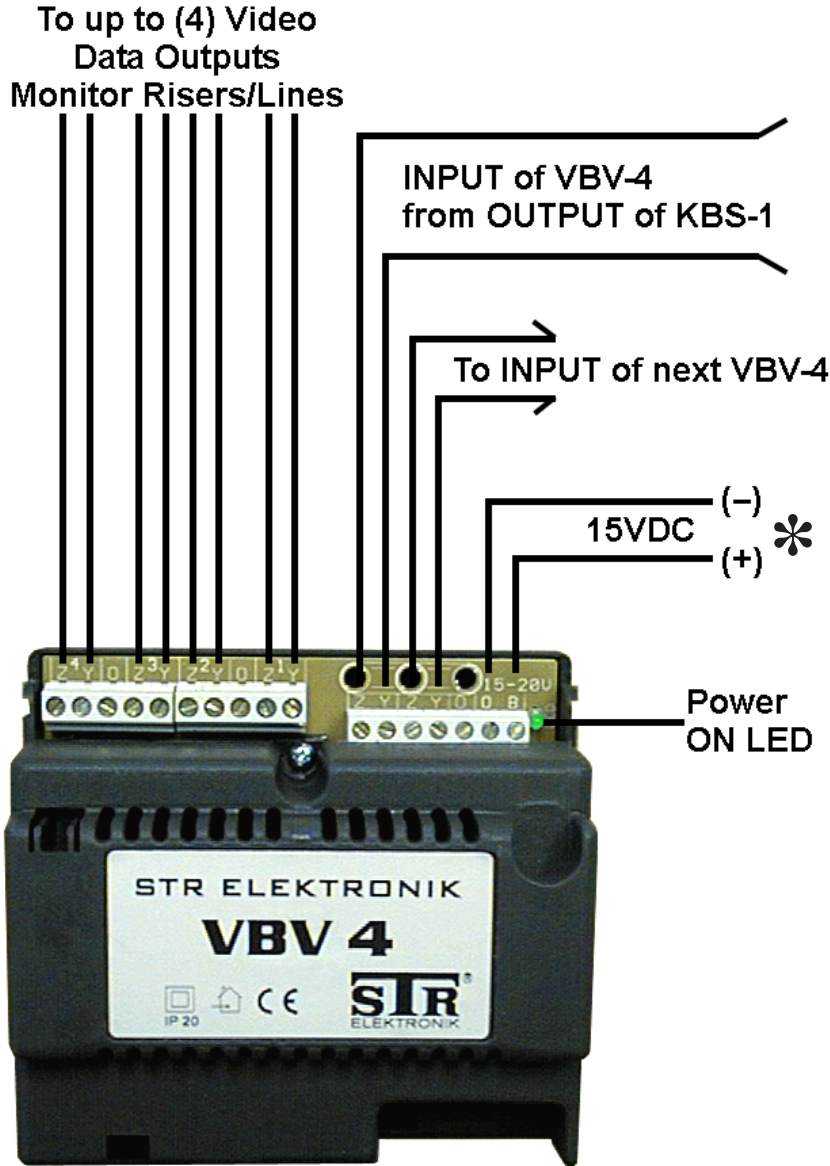
If the VBV-4 fails to operate as indicated in these instructions, check the following points:

1. **NO VIDEO OUTPUTS AT ALL:** Check for 15VDC power at each VBV-4 video distributor; and for 117 VAC at power supply primary. Green LED on each VBV-4 should be illuminated.
2. **PROBLEMS WITH INDIVIDUAL VIDEO DATA OUTPUT(S):** Temporarily move cables from output (1-4) that is not functioning, to one that is functioning properly, to see if it is the VBV-4 output cable(s) that are not functioning properly.

If these checkpoints fail to indicate the problem, there may be an equipment fault. Contact the factory or qualified service representative.

**TYPICAL WIRING LAYOUT DIAGRAM SHOWN FOR ONE (1)
VBV-4 VIDEO DISTRIBUTOR UNIT, WITH FIRST FOUR
(4) VIDEO DATA OUTPUT RISERS (LINES).**

MAXIMUM OF 10 VIDEO MONITORS ON EACH
VIDEO DATA OUTPUT OR 300' (90 METERS) OF CABLE



**NOTE: A 100-ohm resistor
MUST be used on the
LAST output when no more
VBV-4's are connected!!**

**NOTE: OBSERVE
POLARITY ON ALL
'Y' AND 'Z'
TERMINALS**

Notes:

1. Wiring to 15VDC input power should be #18AWG unless shown otherwise. If any wire run exceeds 100 feet (30 meters) use #16AWG in place of the #18AWG.
2. Observe all local and national electrical and building codes.
3. All terminals and connections shown may not be in the order that they appear on the equipment.
4. * See also the wiring information on page 1 for more wiring details.

ALPHA COMMUNICATIONS® • 42 Central Drive • Farmingdale NY 11735-1202
TOLL-FREE TECHNICAL LINE 1-800-666-4800 • Phone: 631-777-5500 • Fax: 631-777-5599
INTERNET WEBSITE: <http://www.alpha-comm.com> • EMAIL: info@alpha-comm.com