

# HCB-6000

1080p Analog HD Camera



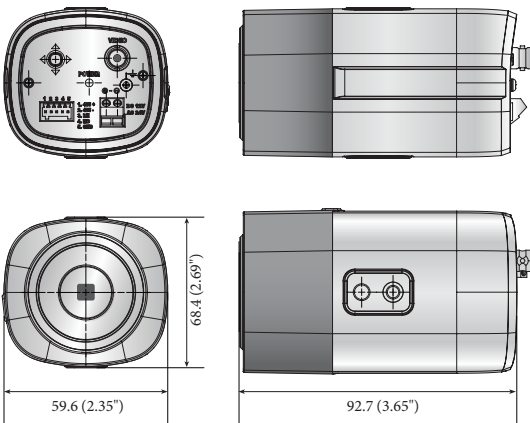
\* Lens not included

## Key Features

- Full HD resolution
- 0.09Lux@F1.2(Color), 0.009Lux@F1.2(B/W)
- Day & Night(ICR), WDR(120dB)
- SSNRIV, Motion detection
- Transmission distance max.500m
- Easy installation (Plug & play), Dual power, RS-485

## Dimensions

Unit : mm (inch)



	HCB-6000N	HCB-6000P
<b>VIDEO</b>		
Imaging Device	1/2.8" 2M CMOS	
Total Pixels	2,000(H) x 1,121(V) 2.24M pixels	
Effective Pixels	1,984(H) x 1,105(V) 2.19M pixels	
Scanning System	Progressive Scan	
Min. Illumination	Color : 0.09Lux (F1.2, 1/30sec) B/W : 0.009Lux (F1.2, 1/30sec)	
S / N Ratio	52dB (AGC off, Weight on)	
Video Output	BNC(AHD) / TVI / CVI / CVBS Selectable)	
Resolution	1920 x 1080	
Max. Framerate	30fps @1080p, 30fps@720p	
<b>LENS TYPE</b>		
Mount Type	C/CS	
<b>OPERATIONAL</b>		
On Screen Display	Multi-language Support(16) English, Japanese, Spanish, French, Portuguese, Korean, German, Italian, Russian, Polish, Czech, Romanian, Serbian, Swedish, Danish, Turkish	
Camera Title	Off / On (Displayed 15 characters)	
Day & Night	Auto (ICR) / External / Color / B/W	
Backlight Compensation	Off / User BLC / HLC	
Wide Dynamic Range	120dB	
Digital Noise Reduction	SSNRIV ( Off / On )	
Defog	AUTO / MANUAL / OFF	
Motion Detection	Off / On(4 zones)	
Privacy Masking	Off / On (4zones rectangle)	
Gain Control	Off / Low / Middle / High / Very High	
White Balance	ATW / Outdoor / Indoor / Manual / AWC (1,800K° ~ 10,500K°)	
Electronic Shutter Speed	1sec~ 1/12,000sec	
Reverse	Off / H-Rev / V-Rev / HV-Rev	
Profile	Basic, Day & Night, Backlight, ITS, Indoor, User	
Alarm	(MD) output 1, External D/N 1	
Remote Control Interface	Coaxial, RS-485	
Protocol	Coax : Pelco-C(coaxitron), ACP(AHD Coax Protocol) RS-485 : Samsung T/E, Pelco D/P, Panasonic Bosch, Honeywell, Vicon, GE, AD	
Video Transmission Distance	500m(5C2V Coaxial Cable)	
<b>ENVIRONMENTAL</b>		
Operating Temperature / Humidity	-10°C ~ +55°C (+14°F ~ +131°F) / Less than 90% RH	
<b>ELECTRICAL</b>		
Input Voltage / Current	Dual ( 24VAC±10% & 12VDC±10% )	
Power Consumption	Max. 3.5W	
<b>MECHANICAL</b>		
Color / Material	Ivory / Plastic	
Dimensions (WxHxD)	59.6 x 68.4 x 92.7mm (2.35" x 2.69" x 3.65")	
Weight	231g	

\* The latest product information / specification can be found at hanwha-security.com  
\* Design and specifications are subject to change without notice.