

# IP MIGRATION MADE SIMPLE

# NVT COAX MEDIA CONVERTERS DATA SHEET

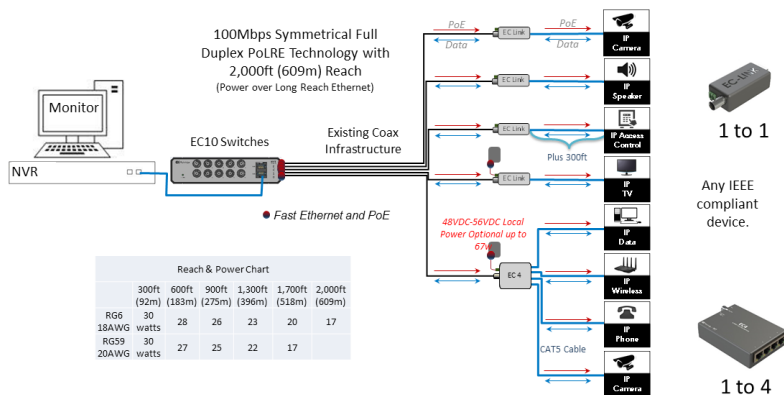


## MEDIA CONVERTER TO EXTENDER

The EC-Link and EC4 media converters support the IP end-points leveraging the CLEER or EC10 switches. In addition, the EC-Link can be easily converted to become an Ethernet extender, with an EC-Link at the base unit and an additional media converter - either another EC-Link or EC4 - at the other end.

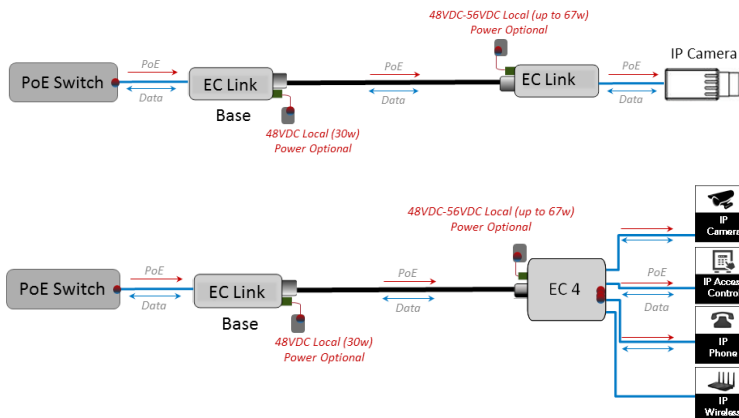
If required, the media converters can be locally powered to deliver additional power to the IEEE compliant IP end point.

### EC-Link and EC4 Connected to the EC10 Switch



### EC-Link as an Ethernet Extender

Locally Powered or Connected To an "Always On" POE Injector



## Media Converters

### At-a-Glance

The EC-Link and EC4 are energy-efficient media converters for the CLEER and EC10 switches.

In addition, the EC-Link can be easily converted to become an Ethernet extender.

### Advantages

- Quick, easy and cost effective IP migration
- Energy efficient, consuming less than one watt of power per EC-Link
- EC-Link can become an Ethernet extender and paired with another media converter (EC-Link or EC4) to create a single run solution



### EC4 Media Converter Technical Specifications

Model	NV-EC4	Ethernet Interface	4 x RJ45 port: 10/100 Base-T autosensing, IEEE 802.3af/at, 100 Mb connection to IP end device
Dimensions	<ul style="list-style-type: none"> <li>0.98" x 2.75" x 4.3" (HxWxD)</li> <li>2.5cm x 7cm x 11cm (HxWxD)</li> </ul>	DC IN	Optional: 48VDC – 56VDC via an external AC/DC Power Adapter (IEC Class II isolated only)
Weight	3.3 oz (96 g)	Power Consumption	1W
Mounting	<ul style="list-style-type: none"> <li>Inline between the CAT5e/6 cable (to IP endpoints) and the COAX cable (to CLEER/EC Switch)</li> <li>Inline between the CAT5e/6 cable (to IP endpoints) and the COAX cable (to a second EC-Link when used as an Extender)</li> </ul>	Power Injection (PoE)	DC voltage on RJ45 port (37-56V); Endpoint devices must be compliant with IEEE 802.3af/at
Coax Interface	1 BNC port: COAX cable – RG59, RG6, RG11	Operating Temperature	32°F to 158°F (0°C to 70°C)
		Humidity	10% to 95% (non-condensing) at 95°F (35°C)

Specifications subject to change without notice.

### EC-Link Media Converter Technical Specifications

Model	NV-LNK-02	Ethernet Interface	1 x RJ45 port: 10/100 Base-T autosensing, IEEE 802.3af/at, 100 Mb connection to IP end device
Dimensions	<ul style="list-style-type: none"> <li>0.83" x 1.23" x 3.46" (HxWxD)</li> <li>2.1cm x 3.2cm x 8.8cm (HxWxD)</li> </ul>	DC IN (Screw Terminal)	Optional: 48VDC – 56VDC via an external AC/DC Power Adapter (IEC Class II isolated only)
Weight	1.48 oz (42 g)	Power Consumption	0.9W
Mounting	<ul style="list-style-type: none"> <li>Inline between the CAT5e/6 cable (to IP endpoint) and the COAX cable (to CLEER/EC Switch)</li> <li>Inline between the CAT5e/6 cable (to IP endpoint) and the COAX cable (to a second EC-Link when used as an Extender)</li> </ul>	Power Injection (PoE)	DC voltage on RJ45 port (37-56V); Endpoint devices must be compliant with IEEE 802.3af/at
Coax Interface	1 BNC port: COAX cable – RG59, RG6, RG11	Operating Temperature	-58°F to 158°F (-50°C to 70°C)
		Humidity	10% to 95% (non-condensing) at 95°F (35°C)

Specifications subject to change without notice.

### Optional DC Power Adapters

Model	NV-EC-48-PWR	Model	NV-EC-100-PWR
Dimensions	<ul style="list-style-type: none"> <li>1.73" x 1.81" x 4.13" (WxHxD)</li> <li>44mm x 30mm x 105mm (WxHxD)</li> </ul>	Dimensions	<ul style="list-style-type: none"> <li>2.36" x 1.42" x 6.06" (WxHxD)</li> <li>60mm x 36mm x 154mm (WxHxD)</li> </ul>
Weight	1799 oz (510 g)	Weight	1799 oz (510 g)
Input	100-240VAC 50/60 Hz 100VA; IEC380-C14 power inlet	Input	100-240VAC 50/60 Hz 150VA; IEC380-C14 power inlet
Output	48VDC 1A	Output	48VDC 2A
Operating Temperature	-20.2°F to 113°F (-29°C to 45°C)	Operating Temperature	-20.2°F to 113°F (-29°C to 45°C)
Storage Temperature	-40°F to 167°C (-40°C to 75°C)	Storage Temperature	-40°F to 167°C (-40°C to 75°C)