

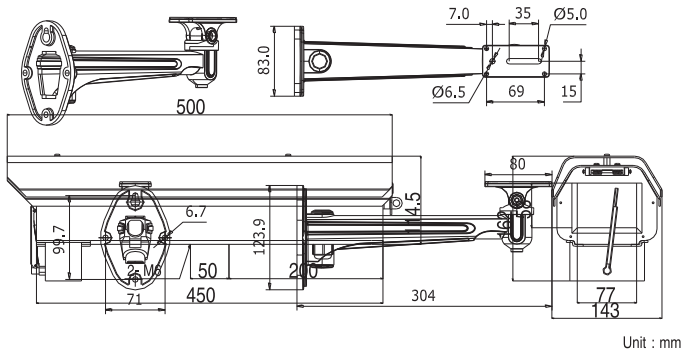
CHB-HBW Outdoor Housing with HBW



Features

- Side Cover for Convenient Installation and Maintenance
- Stainless Steel Dual-Hasp
- Waterproof up to IP67
- Automatic Temperature Control Ensures Stability
- Heater, Blower, Window Wiper (HBW)

Dimensions



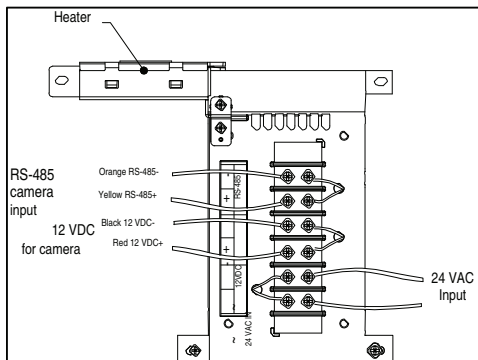
	CHB-HBW
Product Features	Contains heater, blower (fan), wiper Includes WBL wall mount bracket
Working Temperature	-40° C to +60° C
Automatic Temperature Control Range	-40° C to +60° C Heater on: 5° C ±5° C, fan operating for constant temperature; Fan on: 40° ±5° C, for heat dissipation
Power	24 VAC
Power Consumption	Fan: 4 W; wiper: 4 W; heater: 60 W
Protection Level	IP67
Material	Main: aluminum alloy Window: glass
Dimensions	455.3 mm × 169.3 mm × 169.2 mm (17.9" × 6.7" × 6.7")
Matching Power Supply	24 VAC 4 A power pack
Weight	2500 g (5 lbs 8 ozs)

- NOTES:**
- Blower/Fan and Wiper not used at the same time.
 - Set RS-485 communication baud rate to 9,600 bps, set address to 0, choose Pelco-D protocol.
 - Read the instructions carefully and observe all warnings before installing this equipment.
 - Turn off power before cleaning this equipment (do not use liquid or spray cleaning agent).
 - Do not install on unstable bracket.
 - Protect the power line, especially the flexible line of the plug and camera.



WBL Wall Mount (included)

Wiring



Order Model

CHB-HBW