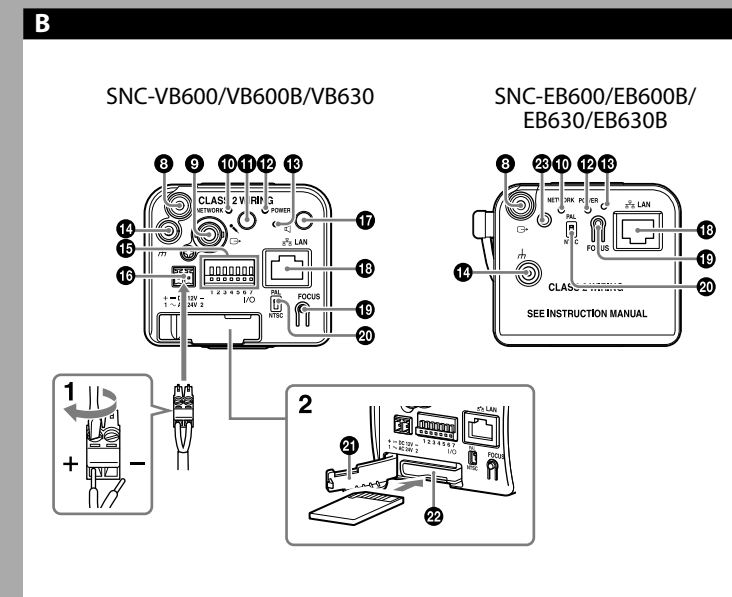
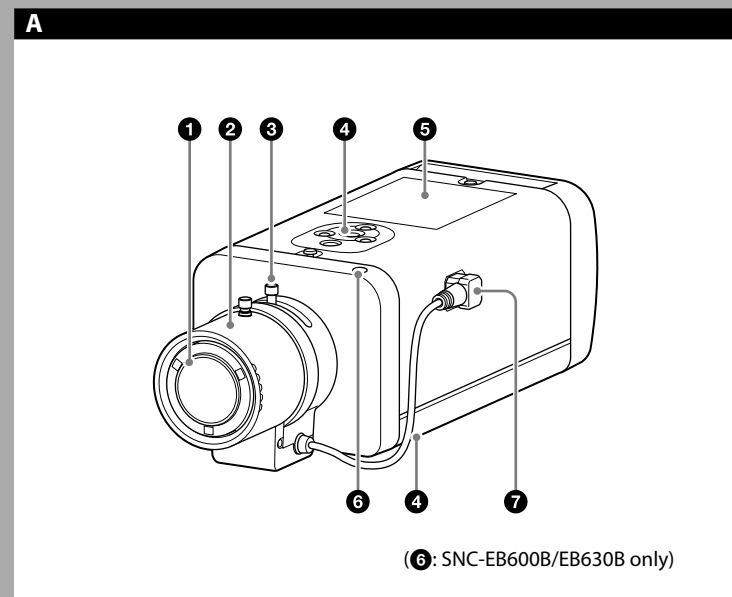


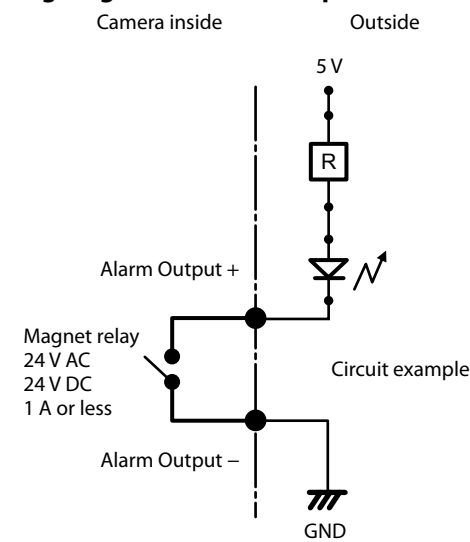
Network Camera

Installation Manual

Before operating the unit, please read this manual thoroughly and retain it for future reference.



Wiring diagram for alarm output



16 DC 12 V/AC 24 V (power input) terminal
Connect to a 12 V DC or 24 V AC power supply system. (B-1)

17 (line output) jack (minijack, monaural)
Connect a commercially available speaker system with a built-in amplifier.

18 LAN network port (RJ-45)
Connect a network cable (UTP, category 5) to this port to communicate with a network or PoE* system.
For details on connection, see the Instruction Manual of the power supply equipment.
(*PoE stands for Power over Ethernet. It is pursuant to IEEE802.3af.)

19 Easy Focus button (except SNC-EB600B/EB630B)
Adjust the focus approximately by the focus ring, then press this button to automatically adjust the focus.
To load the default setting, press and hold this button for more than 4 seconds.

20 NTSC/PAL switch
Switching the video output.
After setting the switch, reboot the camera unit.

21 SD card slot cover
To remove the SD card slot cover, pull the cover forward, and insert the memory card.
When closing the cover, be sure to close it completely by pushing on the hook on the end until it locks in place.

22 SD card slot
This slot is used for optional SD memory cards.
Image data in the camera can be recorded to a memory card by inserting it into the slot.
When inserting, point the contact area at the rating label side (referring to the illustration), and be sure to insert it completely. (B-2)
This unit is only compatible with SD and SDHC memory cards.

Note
For inquiries regarding verified SD memory cards, contact your authorized Sony dealer.

23 MONITOR out connector (AV minijack)
Output the composite video signal from the camera.
Monitor out is used when you adjust the view angle.

(continued on the reverse side)

SNC-VB600/VB600B/VB630 SNC-EB600/EB600B/EB630/EB630B



© 2012 Sony Corporation Printed in China



About the Manuals

Installation Manual (this document)

This Installation Manual describes the names and functions of parts and controls of the Network Camera, gives connection examples and explains how to set up the camera. Be sure to read the Installation Manual before operating. The illustrations in this Installation Manual show the SNC-VB600 as an example.

SNC easy IP setup Guide (stored in the CD-ROM)

User's Guide/Application Guide (Web)

The User's Guide describes how to set up the camera and how to control the camera via a Web browser. After installing and connecting the camera correctly, operate referring to this User's Guide.

Using the software

The supplied CD-ROM includes the setup program for assigning an IP address. The information for how to set up an IP address is also included in the disc in PDF format.

User's Guide and Application Guide can be downloaded from the disc, or the following URL:
<http://www.sony.net/ipela/snc>

Using the CD-ROM manual

The manual can be read on a computer with Adobe Reader installed. You can download Adobe Reader free from the Adobe website.

- 1 Open the `index.html` file in the CD-ROM.
- 2 Select and click on the manual that you want to read.

Note

If you have lost or damaged the CD-ROM, you can purchase a new one from your Sony dealer or Sony service counter.

Adobe and Adobe Reader are trademarks of Adobe Systems Incorporated in the United States and/or other countries.

Assigning the IP address

Assign the IP address using the setup program in the supplied CD-ROM. For details on how to set up the IP address, see SNC easy IP Setup Guide.

Location and Function of Part

Front

- 1 Lens**
A vari-focal lens is mounted as standard equipment.
- 2 Focus ring**
Turn this ring toward N (near) to focus on a closer object. Turn it toward ∞ (infinite) to focus on a farther object.
- 3 Zoom ring**
Turn this ring toward T for telephoto, or toward W for wide-angle.
- 4 Tripod screw hole**
Use this screw hole when attaching the camera to a tripod (screw: 1/4", 20 UNC). You can attach a tripod to either the top or bottom of the camera.

Caution

Use the mounting screw whose length is 4.5 mm – 7 mm only. Use of other screws may cause improper mounting and damage parts inside the camera.

- 5 Rating Label**
This label shows the name of device and its electric rating.
 - 6 Focal length adjustment (SNC-EB600B/EB630B only)**
Use this screw to adjust the focal length (the distance between the lens mounting plane and the image plane).
 - 7 Lens connector (4-pin socket)**
Supplies power and control signals to an auto-iris lens.
- #### Rear
- 8 Fall-prevention wire rope mounting screw hole**
When installing the camera to the ceiling or the wall, secure the supplied wire rope to this hole using the supplied screw.
 - 9 VIDEO OUT (video output) connector**
Connect the BNC cable (not supplied) to this connector.
 - 10 NETWORK indicator**
The indicator lights up or flashes when the camera is connected to the network. The indicator is off when the camera is not connected to the network.
 - 11 (microphone input) jack (minijack, monaural)**
Connect a commercially available microphone.
This jack supports plug-in-power microphones (rated voltage: 2.5 V DC).

12 POWER indicator (Green)

When the power is supplied to the camera, the camera starts checking the system. If the system is normal, this indicator lights up.

18 Reset switch

To reset the camera to the factory default settings, turn on the power to the camera while holding down this switch with a pointed object.

14 (ground) terminal

This is a ground terminal for the chassis.

15 I/O (Input/Output) port

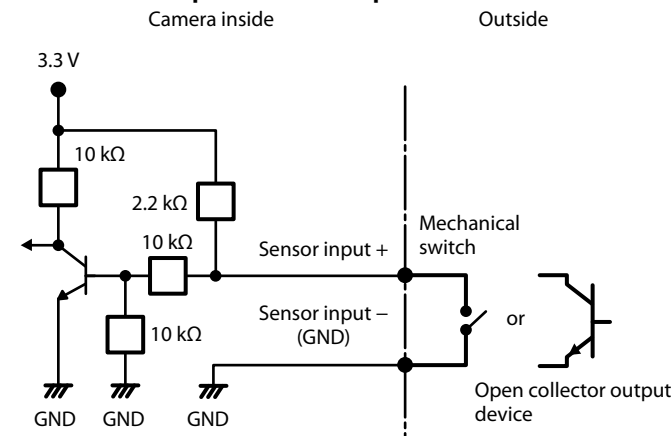
This port provides two sensor inputs and two alarm outputs. The signal pin assignment is as follows.

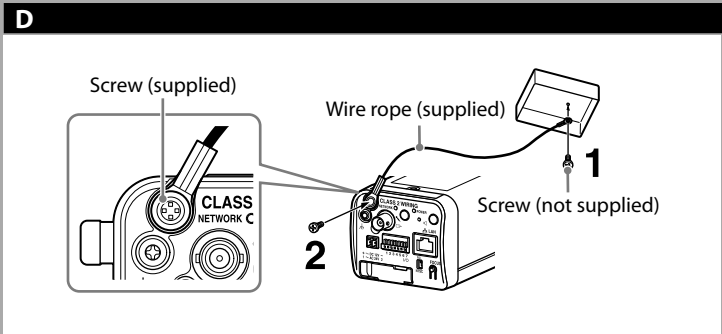
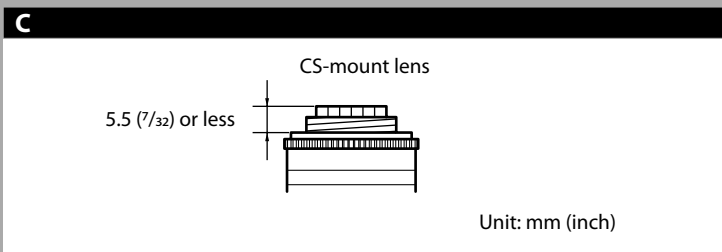
PinNo.	Signal
1	Sensor input 1+
2	Sensor input 2+
3	Sensor input- (GND)
4	Alarm output 1+
5	Alarm output 1-
6	Alarm output 2+
7	Alarm output 2-

For details on each function and required settings, see the User's Guide. Connect the wires of the I/O cable as follows:

Wiring diagram for sensor input

Mechanical switch/open collector output device





Installation

Caution
To prevent the camera from falling, make sure to attach the supplied wire rope.

Suitable lens

The lens must be a CS-mount type and the protrusion behind the mounting surface must be 5.5 mm (7/32 inch) or less.

Caution

- When you install it into a wall or a ceiling, check that the wall or the ceiling is strong enough to hold the weight of the camera including the mounting bracket, and install it without fail. If not, the camera falls down and causes a serious injury.
- Also, check if the mounting is not loosened at least once a year. Make the checking interval short according to use condition.
- Performance will depend on the installation environment and the lens itself. For details, contact your authorized Sony dealer.

Attaching the wire rope

When you install the camera on a ceiling or a high position, be sure to attach the supplied wire rope to prevent the camera from falling. Attach the wire rope to the screw hole on the rear of the camera, as in the illustration.

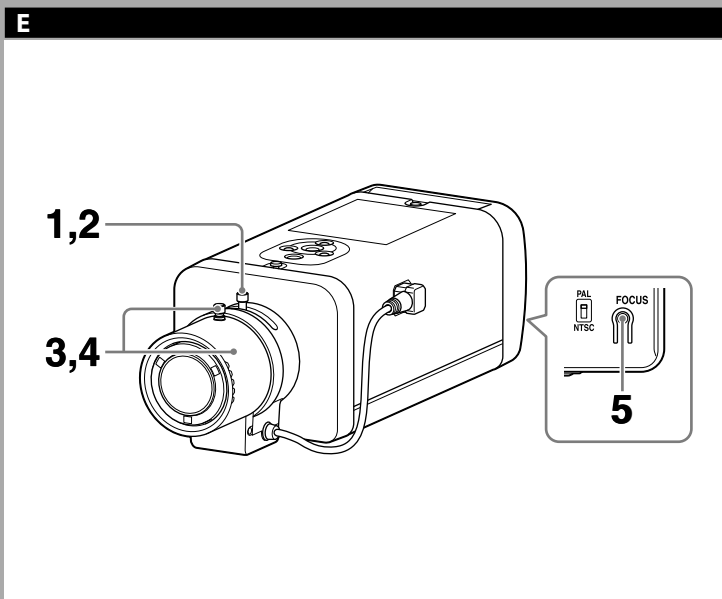
Note
Take care not to short-circuit the power terminal or the cable with the wire rope when you attach it.

- Secure the wire rope to the junction box on the ceiling.**
Use a screw to match the screw hole of your junction box (not supplied).
- Secure the wire rope to the wire rope mounting screw hole on the rear of the camera using the supplied screw.**

Caution
Use the supplied screws for installation. If not, the wire rope may not function properly.

Adjusting the Camera Coverage and Focus

- Loosen the zoom ring locking screw to adjust the camera shooting coverage.**
- Tighten the locking screw to fix the zoom.**
- Loosen the focus ring locking screw to adjust the focus.**
- Tighten the locking screw to fix the focus ring.**
- Press the Easy Focus button on the rear to automatically adjust the focus (except SNC-EB600B/EB630B).**



Note
You may not achieve satisfactory focus with the Easy Focus button due to the shooting environment. In this case, press and hold the Easy Focus button for more than 4 seconds to return to the default position. Then, adjust the focus following step 3 and 4.

Connection

Connecting to the Network

Connect the LAN connector of the camera to a PoE* supported device (such as a hub) using the network cable (straight, not supplied). The electrical power is supplied through the network cable. For details, refer to the instruction manuals of the PoE supported devices. (* PoE: The acronym for Power over Ethernet. IEEE802.3af standard compliant devices.)

SNC-VB600/VB600B/VB630
It is also possible to connect the LAN port of the camera to a router or hub in the network using a network cable (not supplied).

Connecting the Power Source

The camera can be powered in the following ways.

- 12 V DC or 24 V AC (Either voltage supported by SNC-VB600/VB600B/VB630 only.)
- Power supply equipment pursuant to IEEE802.3af (PoE* system)

* PoE stands for Power over Ethernet.

Notes

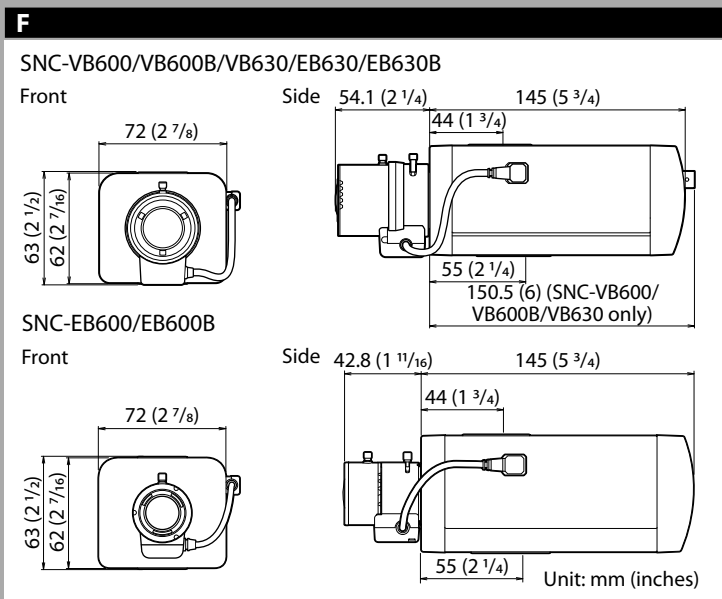
- Do not turn off the camera immediately after turning it on. Wait for at least five minutes before turning off the camera.
- Do not connect the power input cable if power is supplied by a PoE system.

Connecting to the power supply equipment pursuant to IEEE802.3af
The power supply equipment pursuant to IEEE802.3af supplies the power through the network cable. For details, refer to the Instruction Manual of the equipment.

Connecting to 12 V DC or 24 V AC source
Connect the power input cable of the camera to a 12 V DC or 24 V AC source.

- Use a 12 V DC or 24 V AC source isolated from 100 to 240 V AC. The acceptable voltage ranges for each are as follows.
 - 12 V DC: 10.8 V to 13.2 V
 - 24 V AC: 19.2 V to 28.8 V
- In the USA, The product shall be powered by a UL Listed Class 2 Power Supply Only.
- In Canada, The product shall be powered by a CSA certified Class 2 Power Supply Only.

- Use UL cable (VW-1 style 10368) for these connections.



Recommended cable

12 V DC:

CABLE(AWG)	#24	#22	#20
Max. length(m/feet)	8 (26.2)	14 (45.9)	20 (65.5)

24 V AC:

CABLE(AWG)	#24	#22	#20
Max. length(m/feet)	11 (36.1)	19 (62.3)	28 (91.9)

Specifications

Compression

Video compression format: JPEG/H.264
 Audio compression format: G.711/G.726/AAC
 Maximum frame rate: SNC-VB600/VB630: 60 fps, SNC-VB600B/EB600/EB630/EB630B: 30 fps

Camera

Signal system: NTSC color system/PAL color system (switchable)
 Image device: SNC-VB600/VB600B/EB600/EB600B: 1/3type CMOS (Exmor), SNC-VB630/EB630/EB630B: 1/2.9type CMOS (Exmor)
 Effective picture elements: Approx. 1,370,000 (SNC-VB630/EB630/EB630B), Approx. 2,140,000 (SNC-VB600/EB600/EB630/EB630B)

Synchronization: Internal synchronization
 Horizontal resolution: SNC-VB600/VB600B: 600 TV lines (analog video), SNC-VB630: 700 TV lines (monitor display ratio 4:3)

Video S/N: More than 50 dB (Auto gain control maximum rate 0 dB)
 Minimum illumination: View-DR Off/VE* Off/Auto gain control maximum rate MAX/50 IRE (IP)/30 fps
 SNC-VB600/VB600B: F1.2/Color: 0.05 lx, Black & White: 0.04 lx
 SNC-VB630/EB630/EB630B: F1.2/Color: 0.10 lx, Black & White: 0.07 lx
 SNC-EB600/EB600B: F1.0/Color: 0.05 lx, Black & White: 0.04 lx

* VE stands for Visibility Enhancer.

Lens

Focal length: SNC-VB600/VB600B/VB630/EB630/EB630B: 2.8 mm to 8 mm, SNC-EB600/EB600B: 3 mm to 8 mm
 Maximum relative aperture: SNC-VB600/VB600B/VB630/EB630/EB630B: F1.2 to F1.95, SNC-EB600/EB600B: F1.0 to F1.65

View angle*
 SNC-VB600/VB600B: 1280 × 1024 (aspect ratio 5:4)
 Vertical: 78.1° to 28.6°, Horizontal: 100.0° to 35.7°
 SNC-VB630/EB630/EB630B: 1920 × 1080 (aspect ratio 16:9)
 Vertical: 60.6° to 22.5°, Horizontal: 114.2° to 40.0°
 SNC-EB600/EB600B: 1280 × 1024 (aspect ratio 5:4)
 Vertical: 72.7° to 28.6°, Horizontal: 92.5° to 35.7°

* The view angle will change, depending on the setting of the aspect ratio resolution.
 Minimum object distance: SNC-VB600/VB600B/VB630/EB630/EB630B: 300 mm, SNC-EB600/EB600B: 200 mm

Interface (SNC-VB600/VB600B/VB630)
 LAN (PoE): 10BASE-T/100BASE-TX, auto negotiation (RJ-45)
 I/O port: Sensor input: × 2, make contact, break contact
 Alarm output: × 2, 24 V AC/DC, 1 A max. (mechanical relay outputs electrically isolated from the camera)

SD memory card slot: VIDEO OUT: BNC, 1.0 Vp-p, 75 ohms, unbalanced, sync negative
 Video output: Minijack (monaural)
 Microphone input*: Plug-in-power supported (rated voltage: 2.5 V DC)
 Recommended load impedance: 2.2 kΩ
 Line input*: Minijack (monaural)
 * The microphone input and the line input are switchable with operating menu.
 Line output: Minijack (monaural), Maximum output level: 1 Vrms

Interface (SNC-EB600/EB600B/EB630/EB630B)
 LAN (PoE): 10BASE-T/100BASE-TX, auto negotiation (RJ-45)
 Video output: Monitor output: 1.0 Vp-p, 75 ohms, unbalanced, sync negative
 AV minijack*

* Use an AV cable with a 4-pole AV mini plug.

Others

Power supply: IEEE802.3af compliant (PoE system)
 SNC-VB600/VB600B/VB630: 12 V DC ± 10%, 24 V AC ± 20%, 50 Hz/60 Hz
 SNC-VB600/VB600B/VB630: 6.0 W max.
 SNC-EB600/EB600B/EB630/EB630B: 5.0 W max.
 Power consumption: Start temperature: 0°C to 50°C (32°F to 122°F), Working temperature: -10°C to +50°C (14°F to 122°F)

Operating temperature: -20°C to +60°C (-4°F to +140°F)
 Storage temperature: 20% to 80%
 Operating humidity: 20% to 95%
 Storage humidity: 20% to 95%

Dimensions (w/h/d) **F**: 72 mm × 63 mm × 145 mm (2 7/8 inches × 2 1/2 inches × 5 3/4 inches) not including the projecting parts and lens
 Mass: SNC-VB600/VB600B/VB630: Approx. 565 g (1 lb 3.9 oz) with lens, SNC-EB600: Approx. 480 g (1 lb 0.9 oz) with lens, SNC-EB600B: Approx. 460 g (1 lb 0.2 oz) with lens, SNC-EB630: Approx. 505 g (1 lb 1.8 oz) with lens, SNC-EB630B: Approx. 485 g (1 lb 1.1 oz) with lens

Supplied accessories: CD-ROM (Supplied programs) (1), Wire rope (1), Screw M4 (1), Safety Regulations (1), Installation Manual (this document) (1), SNC-VB600/VB600B/VB630 DC 12 V/AC 24 V connector (1)

Design and specifications are subject to change without notice.