

Notice



Carefully follow these instructions to prevent damage to the equipment.

Installation Standards

Install, test, and maintain the D370B/D370C according to these instructions, the National Fire Protection Association (NFPA) 72, local codes, and the authority having jurisdiction (AHJ).



Failure to follow these instructions can result in the failure of the D370B/D370C to operate in alarm.

Bosch is not responsible for improperly installed, tested, or maintained devices.

1.0 Overview

Use these instructions to install the D370B/D370C 24 V/110 V Wall Mount Door Holder. The D370B/D370C can be surface or flush mounted.

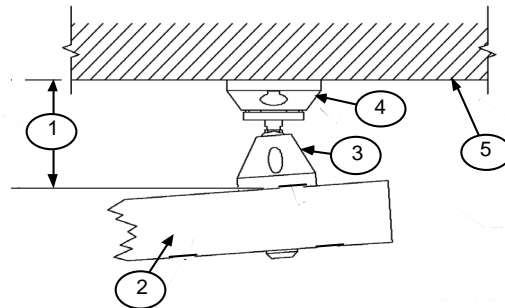
The installation procedure includes:

- Installing the surface mount backbox, if required,
- Connecting the electromagnet to the circuit wiring,
- Installing the electromagnet in the backbox, and
- Installing the catch plate.

The D370B/D370C operates on 24 VDC, 24 VAC, or 110 VAC. It provides up to 110 lb (49.9 kg) of holding force for fire door or other magnetic applications.

Use the D370B/D370C for flush-mounted applications. Each door holder includes all hardware necessary to mount it in a backbox and attach the catch plate to a standard door. You can attach the D370B/D370C to a door that swings open to within 3 in. (7.6 cm) of a single-gang backbox (*Figure 1*).

Figure 1: D370B/D370C Installation – Top View



- 1 - 3 in. (7.6 cm) maximum
- 2 - Door
- 3 - D370B/D370C Catch Plate mounted to the door
- 4 - D370B/D370C Electromagnet flush mounted to the backbox
- 5 - Wall

Use extension rods if the door does not swing open within 3 in. (7.6 cm) of the backbox. Extension rods are available in lengths of 1 in. (2.5 cm) to 4 in. (10 cm). The 40 in. (10 cm) hinged extension rod compensates for misaligned catch plates and electromagnets.



Use the D378 Extension Rod Wrench when installing extension rods.


When you cannot flush mount, use the D372B/D372C Series Backbox to surface mount the D370B/D370C Electromagnet.



2.0 Installation

2.1 Installing the D372B/D372C Backbox

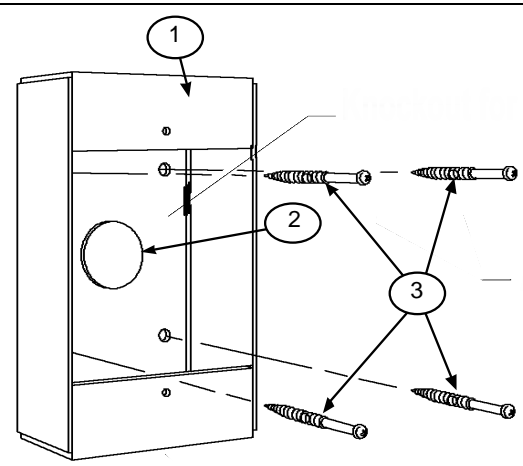
You can flush mount the D370B/D370C to a standard single-gang backbox or surface mount it to the D372B/D372C Backbox.



Verify the backbox can withstand the stress the door exerts on it through the D370B/D370C Electromagnet.

The D372B/D372C Backbox accepts electrical conduit through knockouts in the top, bottom, and back (Figure 2).

Figure 2: D372B/D372C Backbox Installation



1 - D372B/D372C Backbox
2 - Conduit knockout
3 - Attachment screws (4)

1. Align the backbox with the catch plate location on the door. Refer to *Section 2.4 Mounting the Catch Plate to the Door* on page 3 for the catch plate location and alignment.
2. Securely mount the backbox to the wall.
3. Connect the wiring conduits to the backbox.
4. Pull the circuit wiring through the conduit and into the backbox.

2.2 Connecting the D370B/D370C to Circuit Wiring

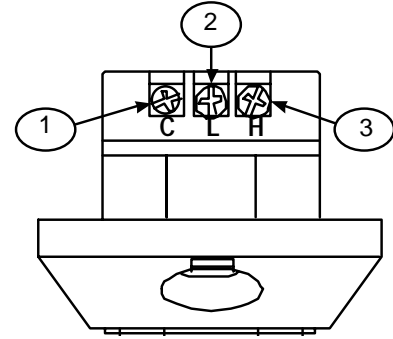
The D370B/D370C operates on 24 VDC, 24 VAC, or 120 VAC. The D370B/D370C terminals accept wires between 12 AWG (2.3 mm) and 22 AWG (0.8 mm). You can wire 120 VAC to either Terminal L or Terminal H depending on the required holding force (Table 1).

Input Voltage	Terminal Connections	Current Draw	Holding Force
24 VDC nominal (18 VDC to 30 VDC)	C&L	20 mA	40 lb (18 kg)
24 VAC nominal (18 VAC to 30 VAC)	C&L	19 mA	40 lb (18 kg)
120 VAC nominal (90 VAC to 150 VAC)	C&H	20 mA	35 lb (16 kg)
120 VAC nominal (90 VAC to 150 VAC)	C&L	100 mA	110 lb (50 kg)


Terminal C = Common
Terminal L = Low voltage
Terminal H = High voltage

Refer to Figure 3 for the D370B/D370C terminal locations.

Figure 3: D370B/D370C Terminal Locations

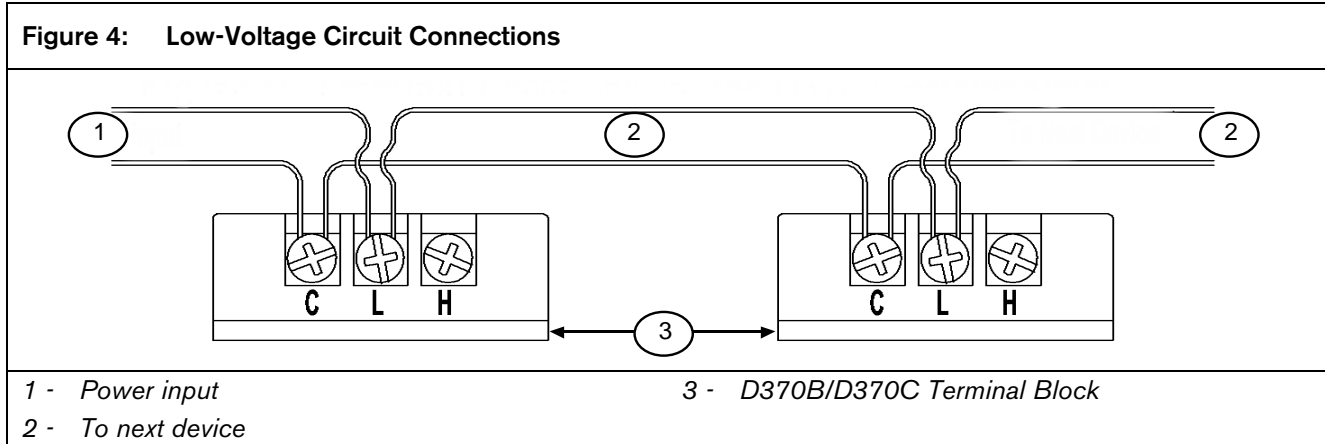


1 - Terminal C 3 - Terminal H
2 - Terminal L



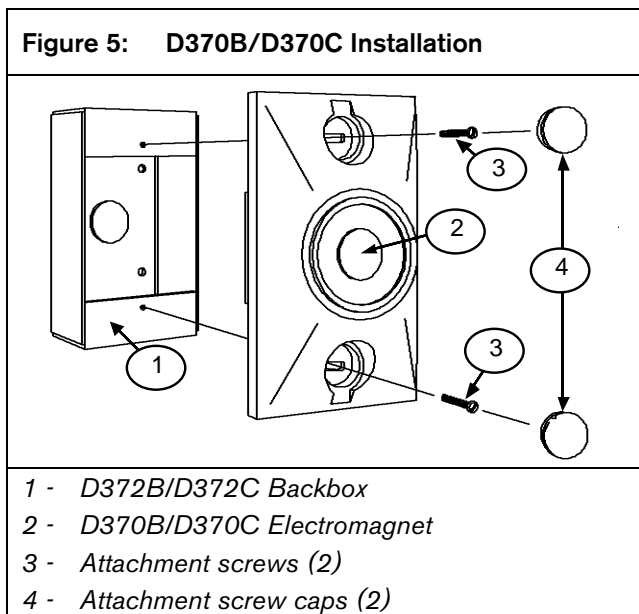
Do not loop wires under the terminal screws. Break the wires and reconnect them.

Refer to *Figure 4* for the low-voltage circuit connections.



2.3 Installing the D370B/D370C in the D372B/D372C Backbox

Ensure the wiring connections are secure and install the D370B/D370C Electromagnet in the D372B/D372C Backbox as shown in *Figure 5*.



2.4 Mounting the Catch Plate to the Door

2.4.1 Direct Mounting

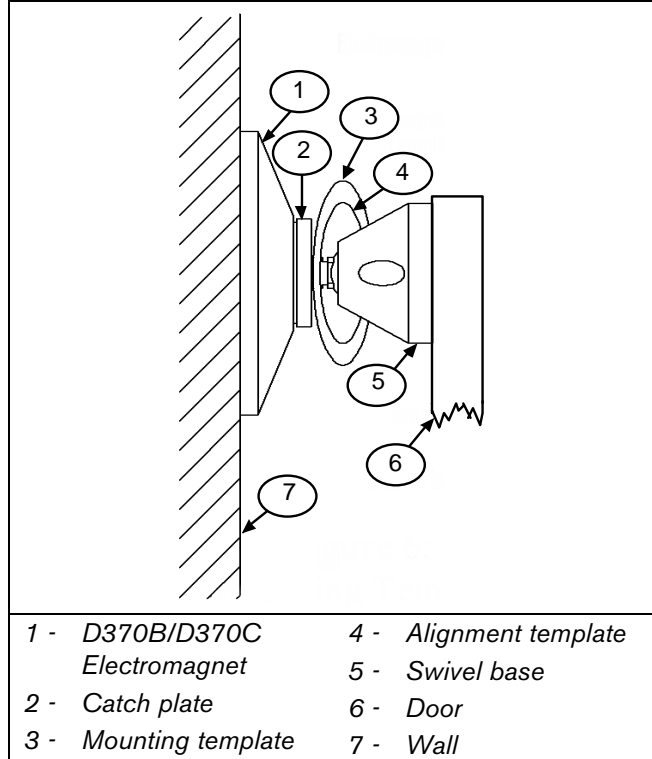


During this procedure, center the catch plate on the D370B/D370C so the electromagnet is not misaligned.

Refer to *Figure 6* when installing the catch plate to the door.

1. Apply power to the D370B/D370C Electromagnet (*Item 1*).
2. Attach the catch plate (*Item 2*) to the electromagnet.

Figure 6: Catch Plate to Door Installation



3. Separate the mounting template (*Item 3*) from the alignment template (*Item 4*).
4. Remove the adhesive backing from the mounting template and slide the template over the swivel base (*Item 5*) with the printing toward the electromagnet.
5. Gently close the door against the swivel base and adjust the base flush against the door (*Item 6*).
6. While holding the door in position, slide the mounting template back over the base to lie flat against the door. Then press the mounting template, firmly attaching it to the door.

7. Open the door and place the alignment template inside the mounting template.
8. Rotate the alignment template for horizontal and vertical alignment.
9. While holding the alignment template in position, remove the adhesive backing from the tab. Then press the tab against the door, attaching the alignment template.
10. Center punch the two points for horizontal and vertical alignment.
11. Drill two 1/8 in. holes 1 in. to 1.5 in. deep.



Do not drill through the door.

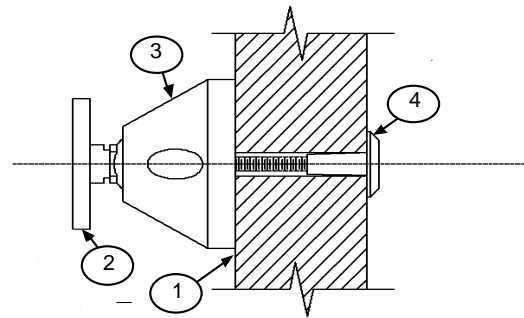
12. Remove the alignment template.
13. Place the swivel base inside the mounting template and align the holes in the swivel base with the holes in the door.
14. Insert the screws and tighten.
15. Remove the mounting template.

2.4.2 Through-Door Mounting

Refer to *Figure 7* when mounting the catch plate through the door.

1. Repeat *Steps 1* through *10* in *Section 2.4 Mounting the Catch Plate to the Door* beginning on page 3.
2. Drill two 1/8 in. pilot holes through the door (*Item 1*).
3. Drill the pilot holes again using a 5/16 in. drill.
4. Place the receiving plate (*Item 2*) in the drilled holes on the opposite side of the door.
5. Remove the alignment template.
6. Place the swivel base (*Item 3*) inside the mounting template, aligning the swivel base holes with the door holes.
7. Using the two 3/16 in. machine screws (*Item 4*), attach and tighten the swivel base to the door.
8. Remove the mounting template.

Figure 7: Through-Door Catch Plate Mounting



- | | |
|---------------------|---------------------------------|
| 1 - Door | 3 - Swivel base |
| 2 - Receiving plate | 4 - 3/16 in. machine screws (2) |

3.0 Accessories

Refer to *Table 2* for the D370B/D370C accessories.

Table 2: Accessories

Model	Description
D370B	24V/110V Door Holder, Brass
D370C	24V/110V Door Holder, Chrome
D371B	24V/110V Magnetic Door Holder, Brass
D371C	24V/110V Magnetic Door Holder, Chrome
D372B	Surface-mount Backbox, Brass
D372C	Surface-mount Backbox, Chrome
D373B	1 in. (2.5 cm) Extension Rod, Brass (package of 5)
D373C	1 in. (2.5 cm) Extension Rod, Chrome (package of 5)
D374B	1.5 in. (3.8 cm) Extension Rod, Brass (package of 5)
D374C	1.5 in. (3.8 cm) Extension Rod, Chrome (package of 5)
D375B	2 in. (5 cm) Extension Rod, Brass (package of 5)
D375C	2 in. (5 cm) Extension Rod, Chrome (package of 5)
D376B	3 in. (7.6 cm) Extension Rod, Brass (package of 5)
D376C	3 in. (7.6 cm) Extension Rod, Chrome (package of 5)
D377B	4 in. (10 cm) Extension Rod, Brass (package of 5)
D377C	4 in. (10 cm) Extension Rod, Chrome (package of 5)
D378	Extension Rod Wrench
D379	Swivel Base M-16 Drill Fixture

