

BU4 Series Entry-Level Integrated IR Bullet Camera

1/3-INCH CCD, 540 TVL WITH HIGH SENSITIVITY, RUGGED, VANDAL-RESISTANT

Product Features

- 540 TV Lines
- High Sensitivity (Zero Lux)
- Sony® 1/3-Inch Super HAD II CCD™
- NextChip Digital Signal Processor (DSP)
- 12 VDC Power with Internal Synchronization
- 2D Digital Noise Reduction (DNR)
- 15 Meters of IR Illumination Distance
- Weathertight Outdoor Operation (IP66)
- Rugged, Vandal-Resistant Design (IK10)
- Environmental Capability with a Wide Operating Temperature
- Low Power Consumption
- Cable Feedthrough Mount Included



The **BU4 Series** is Pelco's entry-level integrated IR bullet CCD camera. It uses a group of integrated infrared LEDs to deliver high quality pictures, even at night with zero illumination.

The **BU4 Series** is a high resolution digital camera with 540 TVL of resolution and a minimum of 0.2 lux illumination in color mode. With the included IR supplemental lighting, the **BU4 Series** operates under zero lux (monochrome mode). The camera uses automatic gain control (AGC) to optimize the video signal.

The **BU4 Series** includes automatic white balance (AWB) for difficult lighting situations and digital noise reduction (DNR) that minimizes environment noise levels to produce clear image quality.

The **BU4 Series** has a rugged, outdoor design and an impact resistance that meets the IK10 standard. The **BU4 Series** has a wide operating temperature (-30° to 50°C), which makes it an ideal solution for most rugged outdoor applications. The **BU4 Series** also meets weathertight IP66 standards.

Typical applications for the **BU4 Series** include outdoor boundary surveillance that has zero light at night and a need to supplement the scene with IR light.



by Schneider Electric

International Standards
Organization Registered Firm;
ISO 9001 Quality System



C3910 / REVISED 6-15-12

TECHNICAL SPECIFICATIONS

MODELS

BU4-IRF4-4	High resolution IR bullet camera, 1/3-inch CCD, 12 VDC, 3.6 mm fixed lens, NTSC format
BU4-IRF4-4X	High resolution IR bullet camera, 1/3-inch CCD, 12 VDC, 3.6 mm fixed lens, PAL format

CAMERA/OPTICS

Imaging Sensor	Sony 1/3-Inch Super HAD CCD	
Signal Processing	NextChip DSP	
Effective Pixels	768 (H) x 494 (V), approx. 380k	
NTSC	752 (H) x 582 (V), approx. 440k	
PAL		
Scanning Area	5.6 (H) mm x 4.7 (V) mm (0.22 x 0.19 inch)	
Scanning System	525 lines, 2:1 interlace	
NTSC	625 lines, 2:1 interlace	
PAL		
Scanning Frequency	Horizontal	Vertical
NTSC	15.734 kHz	59.94 Hz
PAL	15.625 kHz	50.00 Hz
Synchronization	Internal	
Horizontal Resolution	540 TVL	
Minimum Illumination	f/2.0; 2,850°K; 30 IRE	
NTSC	Color (17 ms) 0.2 lux; Mono (with IR) 0.0 lux	
PAL	Color (20 ms) 0.2 lux; Mono (with IR) 0.0 lux	
IR Cut Filter	Dual band OLPF	
IR Illumination Distance	15 m	
IR Sensitivity	>40% at 850 nm, peak response	
Low-Light Technology	24 LEDs	
Electronic Shutter Range	Auto, 1/60 ~ 1/10,000 sec	
NTSC	Auto, 1/50 ~ 1/10,000 sec	
PAL		
Video Output	1.0 Vp-p, NTSC/PAL composite, 75 ohms, BNC connector	
Auto White Balance	2,500° to 9,500°K	
Signal-to-Noise Ratio	48 dB	
Lens	Fixed	
Backlight Compensation	Yes	
F-Number	f/2.0	
Focal Length	3.6 mm	
Focus Range	∞ to 1.2 m (3.9 ft)	
Angle of View	72°	
Horizontal	52°	
Vertical		
Adjusting Angle	±180°	
Panning Range	±90°	
Tilting Range	±360°	
Rotation Range	2D	
Digital Noise Reduction	2D	

GENERAL

Construction	Die-cast aluminum
Unit Weight	0.65 kg (1.43 lb)
Shipping Weight	0.90 kg (1.98 lb)

ELECTRICAL

Power Requirement	12 VDC ±10%, 60 Hz
NTSC	12 VDC ±10%, 50 Hz
PAL	
Power Consumption	3 W (IR on, without heater); 8 W (IR on, with heater on)
Power Connector	2-pin terminal block with screw terminals
Video Connector	BNC

ENVIRONMENTAL

Operating Temperature	-30° to 50°C (-22° to 122°F)
Storage Temperature	-30° to 60°C (-22° to 140°F)
Operating Humidity	20% to 98%, noncondensing
Storage Humidity	20% to 98%, noncondensing
Impact Resistance	IK10

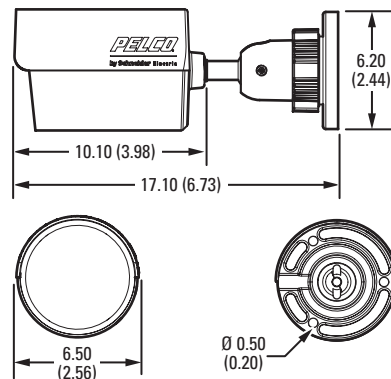
CERTIFICATIONS

- CE, Class B
- FCC, Class B
- UL/cUL Listed
- Meets IP66 standards

RECOMMENDED ACCESSORIES

BU-ADAPTER	Adapter plate for mounting BU Series cameras to a wall or a ceiling surface mounted conduit box (conduit box not included)
------------	--

 NOTE: VALUES IN PARENTHESES ARE INCHES; ALL OTHERS ARE CENTIMETERS.



Pelco by Schneider Electric

3500 Pelco Way, Clovis, California 93612-5699 United States

USA & Canada Tel (800) 289-9100 Fax (800) 289-9150

International Tel +1 (559) 292-1981 Fax +1 (559) 348-1120

www.pelco.com

Pelco, the Pelco logo, and other trademarks associated with Pelco products referred to in this publication are trademarks of Pelco, Inc. or its affiliates. All other product names and services are the property of their respective companies. Product specifications and availability are subject to change without notice.

©Copyright 2012, Pelco, Inc. All rights reserved.